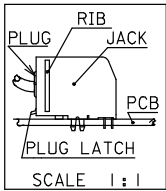


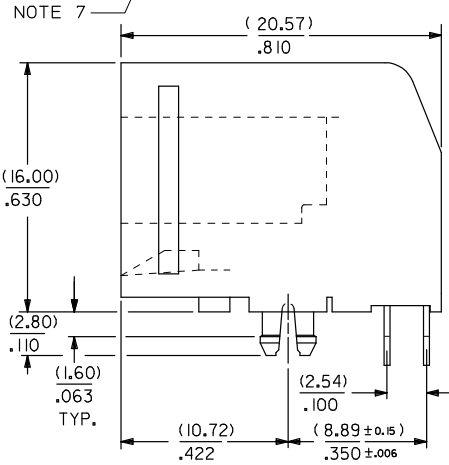
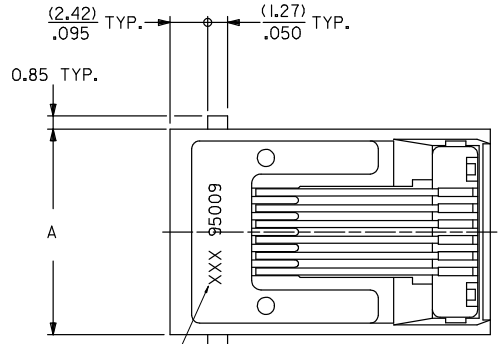
10 9 8 7 6 5 4 3 2 1

**NOTES :**

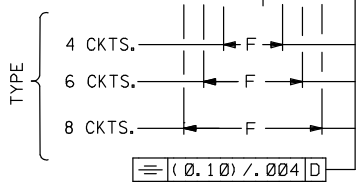
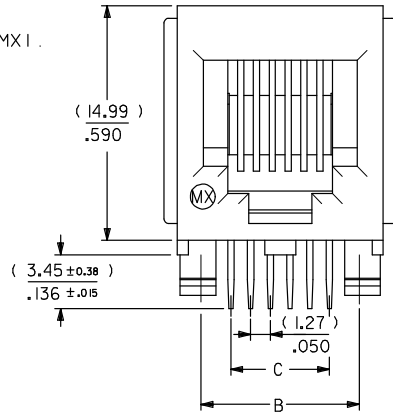
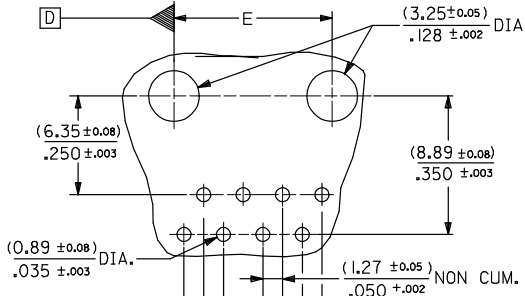
- 1- MATERIAL : POLYESTER FIBER GLASS FILED 94-V-0  
COLOR BLACK .
- TERMINAL : TIN BRASS.
- PLATINGS : FINISH 2
- POST PLATE (0.00127-0.00152)/.000050-.000060  
GOLD IN CONTACT AREA .  
(0.00190)/.000075 MIN. PURE TIN IN TAIL AREA BOTH  
OVER (0.00127)/.000050 MIN. NICKEL OVERALL .



- 2- PC BOARD THICKNESS : (1.57) / .062 .
- 3- JACK FOR MATING WITH F.C.C. 68 PLUGS 90075 MOLEX SERIES .
- 4- PRODUCT SPECIFICATION PS-95009-001.
- 5- APPLICATION SPECIFICATION AS-95001.
- 6- PACKAGING SPECIFICATION PK-95029.
- 7- MANUFACTURING ID CAN BE MXF, MG OR MX1 .



**MOUNTING HOLE PATTERNS**  
(SEE FROM COMPONENT SIDE)



<p>UPDATED NOTES: EC NO: E2008-0348 DRAWN BY: DRW:DRYANES 2008/01/14 CHKD: 2008/01/16 APPR: J WALLACE 2008/01/16 REV DESCRIPTION</p>	QUALITY SYMBOLS	GENERAL TOLERANCES (UNLESS SPECIFIED)	DIMENSION STYLE MM/IN	SCALE 4:1	DESIGN UNITS METRIC	THIRD ANGLE PROJECTION																										
	<p>▽=0 ▽=0</p>	<table border="1"> <tr> <th></th> <th>mm</th> <th>INCH</th> </tr> <tr> <td>4 PLACES</td> <td>± .005</td> <td>± .0005</td> </tr> <tr> <td>3 PLACES</td> <td>± .005</td> <td>± .0010</td> </tr> <tr> <td>2 PLACES</td> <td>± 0.25</td> <td>± .014</td> </tr> <tr> <td>1 PLACE</td> <td>± 0.35</td> <td>± .015</td> </tr> <tr> <td colspan="3">ANGULAR ±1/2°</td> </tr> </table>		mm	INCH	4 PLACES	± .005	± .0005	3 PLACES	± .005	± .0010	2 PLACES	± 0.25	± .014	1 PLACE	± 0.35	± .015	ANGULAR ±1/2°			<table border="1"> <tr> <td>DRAWN BY</td> <td>DATE</td> </tr> <tr> <td>DP</td> <td>86/10/23</td> </tr> <tr> <td>CHECKED BY</td> <td>DATE</td> </tr> <tr> <td>APPROVED BY</td> <td>DATE</td> </tr> </table>	DRAWN BY	DATE	DP	86/10/23	CHECKED BY	DATE	APPROVED BY	DATE	TITLE		
		mm	INCH																													
	4 PLACES	± .005	± .0005																													
3 PLACES	± .005	± .0010																														
2 PLACES	± 0.25	± .014																														
1 PLACE	± 0.35	± .015																														
ANGULAR ±1/2°																																
DRAWN BY	DATE																															
DP	86/10/23																															
CHECKED BY	DATE																															
APPROVED BY	DATE																															
		DRAFT WHERE APPLICABLE MUST REMAIN WITHIN DIMENSIONS	MATERIAL NO. SEE CHART SHT 2	DOCUMENT NO. SDA-95009-F	SHEET NO. 1 OF 2																											

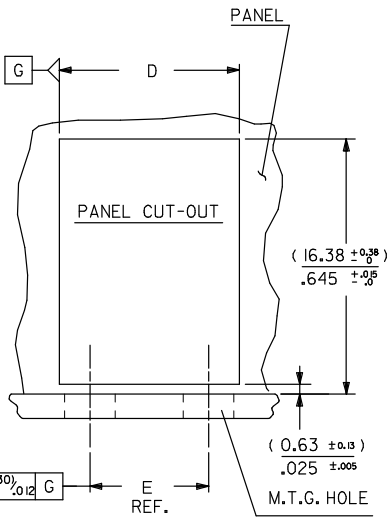
10 9 8 7 6 5 4 3 2 1

PART NUMBERS FOR JACK I RIB .

TYPE	POS. 4	TOOLED	POS. 6	TOOLED	POS. 6	TOOLED	POS. 8	TOOLED	
									4 CKTS.
PLATING FINISH 2	MOLEX STANDARD	95009-2441	X	95009-2641	X	95009-2661	X	95009-2881	X

PART NUMBERS FOR JACK NO RIB.

TYPE	POS. 4	TOOLED	POS. 6	TOOLED	POS. 6	TOOLED	POS. 8	TOOLED	
									4 CKTS.
PLATING FINISH 2	MOLEX STANDARD	95009-2447	X	95009-2647	X	95009-2667	X	95009-2887	X



TYPE	POS. 4		POS. 6		POS. 8
	DIM.	4 CKTS.	4 CKTS.	6 CKTS.	8 CKTS.
A	(11.18) / .440	(13.21) / .520	(13.21) / .520	(15.24) / .600	
B	(7.62) / .300	(10.16) / .400	(10.16) / .400	(11.43) / .450	
C	(3.81) / .150	(3.81) / .150	(6.35) / .250	(8.89) / .350	
D	( <sup>+0.38</sup> / <sub>0</sub> ) / ±0.05	(11.56) / .455	(13.59) / .535	(13.59) / .535	(15.62) / .615
E	(±0.10) / ±0.04	(7.62) / .300	(10.16) / .400	(10.16) / .400	(11.43) / .450
F	(±0.10) / ±0.04	(3.81) / .150	(3.81) / .150	(6.35) / .250	(8.89) / .350

ADDED PART NO's EC NO: E2008-0348 DRAWN BY: DRW:BDYRNE CHYK: 2008/01/16 APPR: J WALLACE 2008/01/16 REV DESCRIPTION	QUALITY SYMBOLS	GENERAL TOLERANCES (UNLESS SPECIFIED)	DIMENSION STYLE	SCALE	DESIGN UNITS	THIRD ANGLE PROJECTION
	$\nabla = 0$ $\nabla = 0$	mm INCH 4 PLACES ± --- ± --- 3 PLACES ± --- ± .010 2 PLACES ± 0.25 ± .014 1 PLACE ± 0.35 ± --- ANGULAR ±1/2°	MM/IN	4:1	METRIC	
	DRAFT WHERE APPLICABLE MUST REMAIN WITHIN DIMENSIONS	DRAWN BY: DP DATE: 87/04/22 CHECKED BY: DATE:	TITLE	FLUSH MOUNT RIGHT ANGLE MODULAR JACK ASSEMBLY THROUGH HOLE VERSION		
	MATERIAL NO. SEE CHART	APPROVED BY: DATE:	MOLEX INCORPORATED	DOCUMENT NO. SDA-95009-F	SHEET NO. 2 OF 2	

ib\_frame\_A3\_P\_ME\_T  
Rev. D 2004/04/02