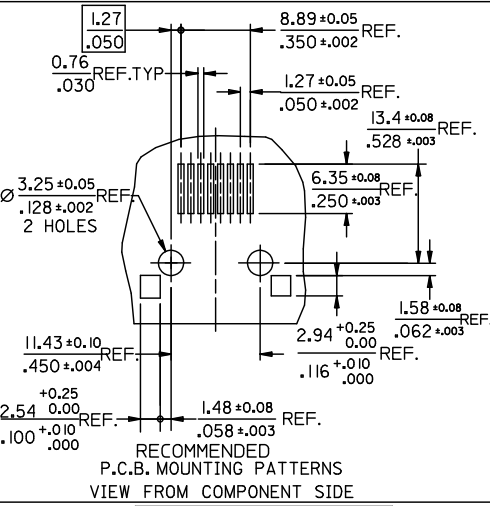


NOTES:

- 1- COPLANARITY OF LEADS : 0.10/.004 MAX.
COPLANARITY OF SHIELD TABS: 0.10/.004 MAX.
- 2- PACKAGING SPECIFICATION : BLISTER ON REEL (SEE CHART)
- 3- PRODUCT SPECIFICATION : MOLEX PS-95540-002
- 4- KAPTON ADHESIVE FOIL: 0.125/.005 THICK.
- 5- JACK FOR MATING WITH F.C.C. 68 PLUGS
95043 MOLEX SERIES.
- 6- MANUFACTURING I.D. CAN BE
EITHER MXF, MG OR MXI.



PACKAGING			
PART NUMBER	REEL SIZE	SPECIFICATION	PLATING
95540-6886	330/13	PK-85502 SHT 1	2
95540-6888	559/22	PK-85502 SHT 3	2

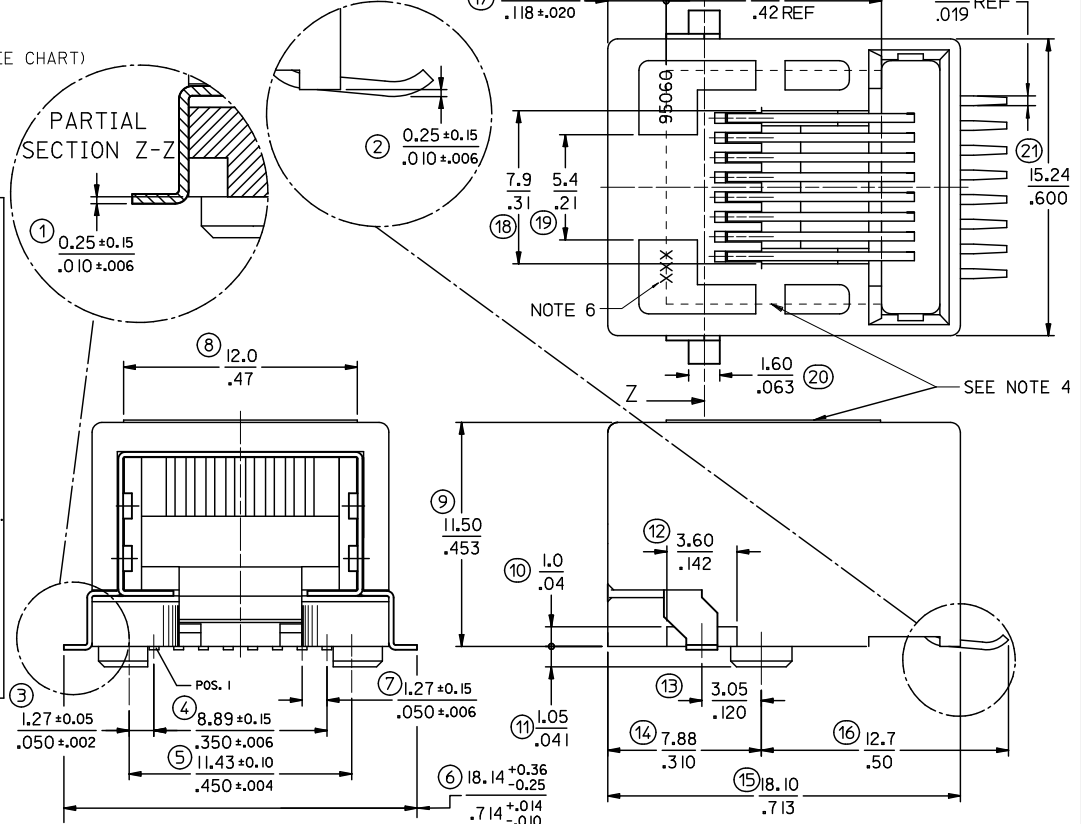
MATERIAL:
HOUSING: LCP GLASS FILLED UL 94V0, COLOR: BLACK

TERMINAL: BRASS PLATED WITH:

PLATING 2: 0.00127/.000050 MIN GOLD IN CONTACT AREA, 0.00190/.000075 MIN TIN IN TAIL AREA, BOTH OVER 0.00127/.000050 MIN NICKEL OVERALL

PLATING 7: POST PLATE 0.00005/.000002 MIN GOLD OVER 0.00076/.000030 MIN PALLADIUM NICKEL IN CONTACT AREA, 0.00190/.000075 MIN TIN IN TAIL AREA, BOTH OVER 0.00127/.000050 MIN NICKEL OVERALL.

SHIELD: BRASS PLATED WITH 0.0020/.000078 MIN. TIN



ADDED DIMENSION EC NO: E2011-0240 DRAWN: JCONNOR 2011/01/14 CHKD: APPREFOPLAN 2011/01/26	QUALITY SYMBOLS ▽=0 ▽=0	GENERAL TOLERANCES (UNLESS SPECIFIED)		DIMENSION STYLE	SCALE	DESIGN UNITS	THIRD ANGLE PROJECTION
		mm	INCH	MM/IN	5:1	METRIC	☉
REV <td rowspan="4">DESCRIPTION <td>4 PLACES</td> <td>± .004</td> <td>± .004</td> <td>DRAWN BY</td> <td>DATE</td> <td rowspan="4">TITLE RIGHT ANGLE LOW PROFILE SHIELDED PC JACK (SURFACE MOUNT VERSION) MOLEX INCORPORATED</td> </td>	DESCRIPTION <td>4 PLACES</td> <td>± .004</td> <td>± .004</td> <td>DRAWN BY</td> <td>DATE</td> <td rowspan="4">TITLE RIGHT ANGLE LOW PROFILE SHIELDED PC JACK (SURFACE MOUNT VERSION) MOLEX INCORPORATED</td>	4 PLACES	± .004	± .004	DRAWN BY	DATE	TITLE RIGHT ANGLE LOW PROFILE SHIELDED PC JACK (SURFACE MOUNT VERSION) MOLEX INCORPORATED
		3 PLACES	± .004	± .004	CHECKED BY	DATE	
		2 PLACES	± 0.1	± .006	FCARABET	04/06/28	
		1 PLACE	± 0.15	± .006	APPROVED BY	DATE	
ANGULAR		± 1/2°		KNOLLER	04/06/29	MATERIAL NO. DOCUMENT NO. SHEET NO. SEE CHART SD-95540-001 2 OF 3	
DRAFT WHERE APPLICABLE MUST REMAIN WITHIN DIMENSIONS		THIS DRAWING CONTAINS INFORMATION THAT IS PROPRIETARY TO MOLEX INCORPORATED AND SHOULD NOT BE USED WITHOUT WRITTEN PERMISSION					