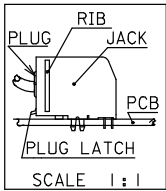


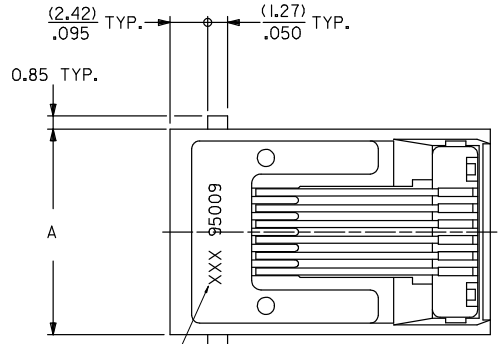
10 9 8 7 6 5 4 3 2 1

NOTES :

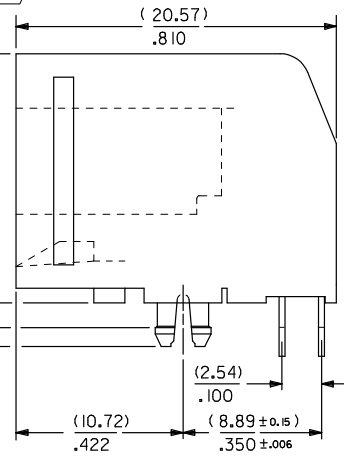
- 1- MATERIAL : POLYESTER FIBER GLASS FILED 94-V-0
COLOR BLACK .
- TERMINAL : TIN BRASS.
- PLATINGS : FINISH 2
- POST PLATE (0.00127-0.00152)/.000050-.000060
GOLD IN CONTACT AREA .
(0.00190)/.000075 MIN. PURE TIN IN TAIL AREA BOTH
OVER (0.00127)/.000050 MIN. NICKEL OVERALL .



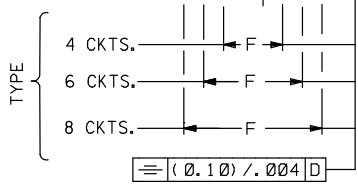
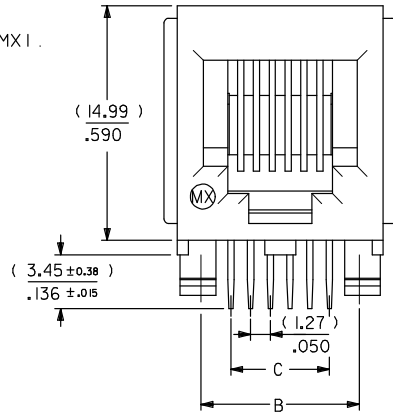
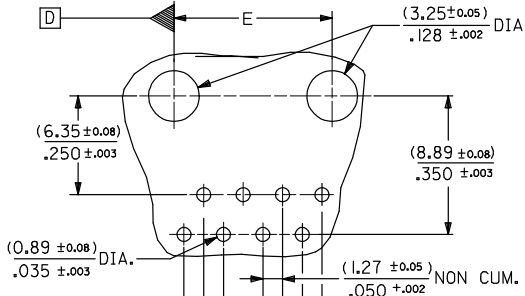
- 2- PC BOARD THICKNESS : (1.57) / .062 .
- 3- JACK FOR MATING WITH F.C.C. 68 PLUGS 90075 MOLEX SERIES .
- 4- PRODUCT SPECIFICATION PS-95009-001.
- 5- APPLICATION SPECIFICATION AS-95001.
- 6- PACKAGING SPECIFICATION PK-95029.
- 7- MANUFACTURING ID CAN BE MXF, MG OR MX1 .



NOTE 7



MOUNTING HOLE PATTERNS
(SEE FROM COMPONENT SIDE)



<p>UPDATED NOTES: EC NO: E2008-0348 DRAWN BY: HIRWINDRYNES CHKD: 2008/01/16 APPR: J WALLACE REV: 2008/01/16</p>	<p>QUALITY SYMBOLS</p> <p>▽=0</p> <p>▽=0</p>	<p>GENERAL TOLERANCES (UNLESS SPECIFIED)</p> <table border="1"> <tr> <th></th> <th>mm</th> <th>INCH</th> </tr> <tr> <td>4 PLACES</td> <td>± .10</td> <td>± .004</td> </tr> <tr> <td>3 PLACES</td> <td>± .125</td> <td>± .005</td> </tr> <tr> <td>2 PLACES</td> <td>± .15</td> <td>± .006</td> </tr> <tr> <td>1 PLACE</td> <td>± .25</td> <td>± .010</td> </tr> </table> <p>ANGULAR ±1/2°</p>		mm	INCH	4 PLACES	± .10	± .004	3 PLACES	± .125	± .005	2 PLACES	± .15	± .006	1 PLACE	± .25	± .010	<p>DIMENSION STYLE</p> <p>MM/IN</p> <p>DRAWN BY: DP DATE: 86/10/23</p> <p>CHECKED BY: DATE:</p> <p>APPROVED BY: DATE:</p>	<p>SCALE: 4:1</p> <p>DESIGN UNITS: METRIC</p> <p>THIRD ANGLE PROJECTION</p>	<p>TITLE: FLUSH MOUNT RIGHT ANGLE MODULAR JACK ASSEMBLY THROUGH HOLE VERSION</p> <p>MOLEX INCORPORATED</p>
		mm	INCH																	
	4 PLACES	± .10	± .004																	
	3 PLACES	± .125	± .005																	
2 PLACES	± .15	± .006																		
1 PLACE	± .25	± .010																		
<p>DRAFT WHERE APPLICABLE MUST REMAIN WITHIN DIMENSIONS</p>	<p>MATERIAL NO. SEE CHART SHT 2</p> <p>DOCUMENT NO. SDA-95009-F</p> <p>SHEET NO. 1 OF 2</p>	<p>SIZE: A3</p> <p>THIS DRAWING CONTAINS INFORMATION THAT IS PROPRIETARY TO MOLEX INCORPORATED AND SHOULD NOT BE USED WITHOUT WRITTEN PERMISSION</p>																		

9 8 7 6 5 4 3 2 1

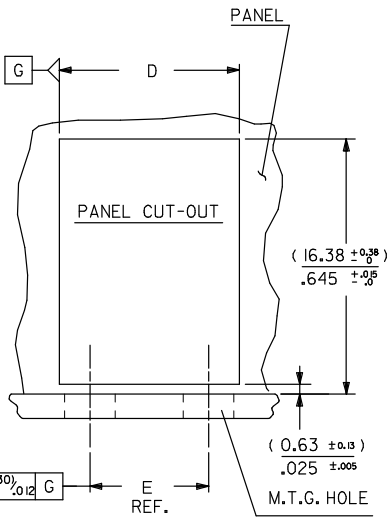
10 9 8 7 6 5 4 3 2 1

PART NUMBERS FOR JACK I RIB .

TYPE	POS. 4	TOOLED	POS. 6	TOOLED	POS. 6	TOOLED	POS. 8	TOOLED	
									4 CKTS.
PLATING FINISH 2	MOLEX STANDARD	95009-2441	X	95009-2641	X	95009-2661	X	95009-2881	X

PART NUMBERS FOR JACK NO RIB.

TYPE	POS. 4	TOOLED	POS. 6	TOOLED	POS. 6	TOOLED	POS. 8	TOOLED	
									4 CKTS.
PLATING FINISH 2	MOLEX STANDARD	95009-2447	X	95009-2647	X	95009-2667	X	95009-2887	X



TYPE	POS. 4		POS. 6		POS. 8
	4 CKTS.	4 CKTS.	6 CKTS.	6 CKTS.	8 CKTS.
A	(11.18) / .440	(13.21) / .520	(13.21) / .520	(15.24) / .600	
B	(7.62) / .300	(10.16) / .400	(10.16) / .400	(11.43) / .450	
C	(3.81) / .150	(3.81) / .150	(6.35) / .250	(8.89) / .350	
D	(^{+0.38} / ₀) / ±.05	(11.56) / .455	(13.59) / .535	(13.59) / .535	(15.62) / .615
E	(±0.10) / ±.004	(7.62) / .300	(10.16) / .400	(10.16) / .400	(11.43) / .450
F	(±0.10) / ±.004	(3.81) / .150	(3.81) / .150	(6.35) / .250	(8.89) / .350

ADDED PART NO's EC NO: E2008-0348 DRAWN BY: DRWNDRYANES 2008/01/14 CHYK: 2008/01/16 APPR: J WALLACE 2008/01/16 REV DESCRIPTION	QUALITY SYMBOLS	GENERAL TOLERANCES (UNLESS SPECIFIED)	DIMENSION STYLE MM/IN	SCALE 4:1	DESIGN UNITS METRIC	THIRD ANGLE PROJECTION	
	$\nabla = 0$ $\nabla = 0$	4 PLACES ± --- ± --- 3 PLACES ± --- ± .010 2 PLACES ± 0.25 ± .014 1 PLACE ± 0.35 ± --- ANGULAR ±1/2°	DRAWN BY: DP DATE: 87/04/22 CHECKED BY: DATE:	TITLE	FLUSH MOUNT RIGHT ANGLE MODULAR JACK ASSEMBLY THROUGH HOLE VERSION		
	DRAFT WHERE APPLICABLE MUST REMAIN WITHIN DIMENSIONS	APPROVED BY: DATE:	MATERIAL NO. SEE CHART SIZE A3	MOLEX INCORPORATED	SHEET NO. 2 OF 2		
	THIS DRAWING CONTAINS INFORMATION THAT IS PROPRIETARY TO MOLEX INCORPORATED AND SHOULD NOT BE USED WITHOUT WRITTEN PERMISSION			DOCUMENT NO. SDA-95009-F			