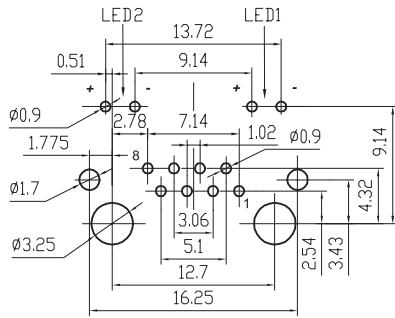
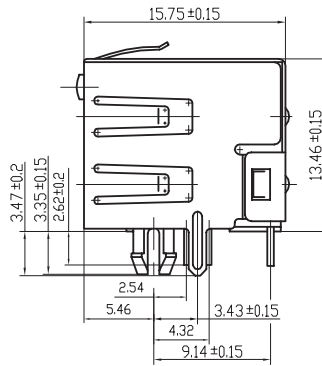
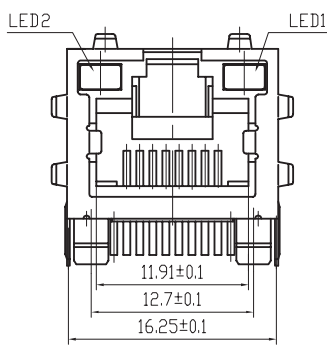
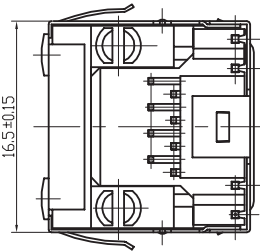


1 2 3 4 5



PCB LAYOUT - COMPONENT VIEW



TECHNICAL CHARACTERISTICS

MATERIAL
 INSULATOR MATERIAL: GLASS FILLED PBT
 FLAMMABILITY RATING UL94-V0
 COLOUR: BLACK
 CONTACT MATERIAL: COPPER ALLOY
 CONTACT TYPE: STAMPED
 CONTACT PLATING: SELECTIVE GOLD
 SHIELDING: BRONZE NI PLATED
 QUALITY CLASS: 500 MATING CYCLES

LED COLOUR
 LED 1: GREEN
 LED 2: YELLOW

ENVIRONMENTAL
 OPERATING TEMPERATURE: -25 °C UP TO 85 °C
 COMPLIANCE: LEAD FREE AND ROHS

ELECTRICAL
 CURRENT RATING: 1.5 A
 WORKING VOLTAGE: 120 VAC
 INSULATION RESISTANCE: >500 mOHM
 DIELECTRIC WITHSTANDING VOLTAGE: 1 000 VAC/MN
 CONTACT RESISTANCE: 20 mOHM MAX

SOLDERING
 WAVE PROCESS ONLY

PACKAGING
 TRAY

RoHS Compliant

G			
F			
E			
D			
C			
B	27-FEB-09	LED COLOUR	JP
A	21-NOV-07	PDF	CH
REV	DATE	FILE	BY

PROJECTION:	
APPROVAL: RJ	

GENERAL TOLERANCE	.X = +/- 0.2 .XX = +/- 0.15
UNIT: MM	
SCALE:	
SHEET: 1/1	
DRAW:	

WÜRTH ELEKTRONIK

DESCRIPTION: RJ45 SHIELDED WITH LED WITH EMI PANEL GROUND TAB UP	SIZE
WERI PART NO: 615008137421	A4

A
B
C
D