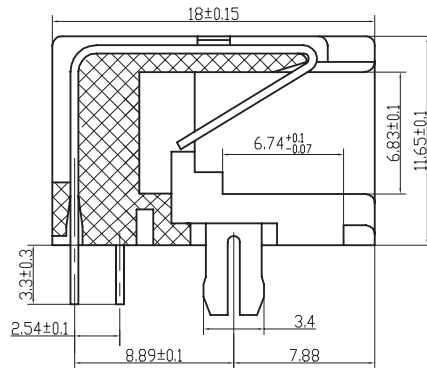


PCB LAYOUT - COMPONENT VIEW



TECHNICAL CHARACTERISTICS

MATERIAL
 INSULATOR MATERIAL: GLASS FILLED PBT
 COLOUR: BLACK
 CONTACT MATERIAL: COPPER ALLOY
 CONTACT TYPE: STAMPED
 CONTACT PLATING: SELECTIVE GOLD
 QUALITY CLASS: 500 MATING CYCLES

ENVIRONMENTAL
 OPERATING TEMPERATURE: -25 °C UP TO 85 °C
 FLAMMABILITY RATING: UL94-V0
 COMPLIANCE: LEAD FREE AND ROHS

ELECTRICAL
 CURRENT RATING: 1.5 A
 WORKING VOLTAGE: 120 VAC
 INSULATION RESISTANCE: >500 MOHM
 DIELECTRIC WITHSTANDING VOLTAGE: 1 000 VAC/MN
 CONTACT RESISTANCE: 20 mOHM MAX

SOLDERING
 WAVE PROCESS ONLY

PACKAGING
 TRAY

RoHS Compliant				PROJECTION: 	GENERAL TOLERANCE .X = +/_ 0.2 .XX = +/_ 0.15		DESCRIPTION: RJ45 TAB DOWN	SIZE A4
G								
F								
E								
D								
C								
B	15-FEB-08	MOHM/mOHM UNITS	CH	APPROVAL: RJ	UNIT: MM			
A	20-NOV-07	PDF	CH		SCALE:			
REV	DATE	FILE	BY		SHEET: 1/1		WERI PART NO: 615008137121	
					DRAW:			