

4

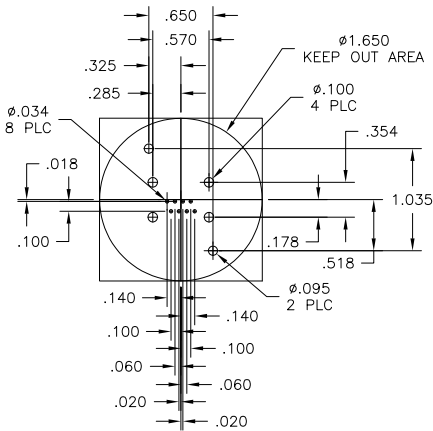
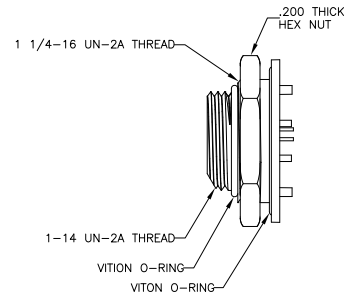
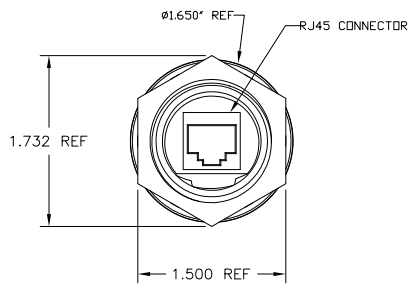
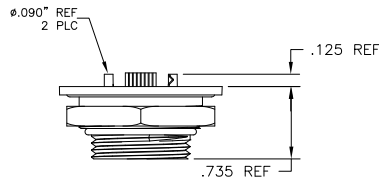
3

2

1

THIS DRAWING IS UNPUBLISHED. RELEASED FOR PUBLICATION
 © COPYRIGHT - By - ALL RIGHTS RESERVED.

LOC	DIST	REVISIONS			
P	LTR	DESCRIPTION	DATE	DWN	APVD
FT	0				
	D1	REVISED PER ECO-11-004820	11MAR11	RK	HMR



RECOMMENDED PCB LAYOUT

	1-1546405-1
SUPERSEDED	1546405-1
	PART NO.

THIS DRAWING IS A CONTROLLED DOCUMENT.		DWN S SCHLEGEL 09OCT2002	TE Connectivity DIRECT PCB MOUNT 8 PIN THROUGH HOLE RECEPTACLE, FRONT COUPLING NUT	
DIMENSIONS: INCHES		CHK H WAKEEM 10/9/02		
TOLERANCES UNLESS OTHERWISE SPECIFIED:		APVD H WAKEEM 10/9/02	NAME	
0 PLC ± - 1 PLC ± - 2 PLC ± .02 3 PLC ± .005 4 PLC ± - ANGLES ± 2°		PRODUCT SPEC		RESTRICTED TO
MATERIAL FINISH		APPLICATION SPEC		SIZE A3
		WEIGHT		CAGE CODE 00779
		CUSTOMER DRAWING		DRAWING NO 1546405
		SCALE NTS		SHEET 1 of 1
				REV D1