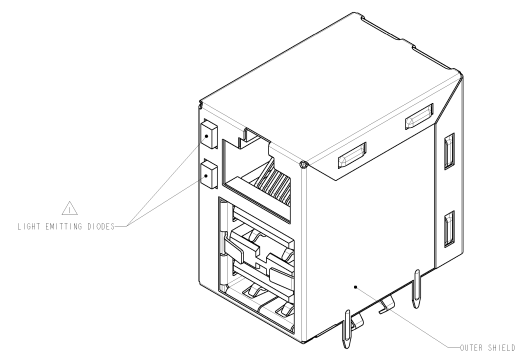
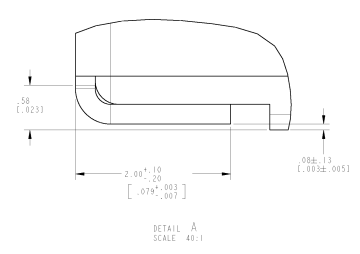
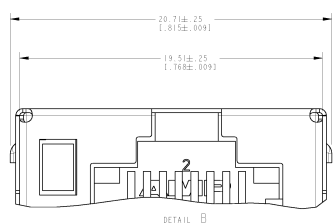
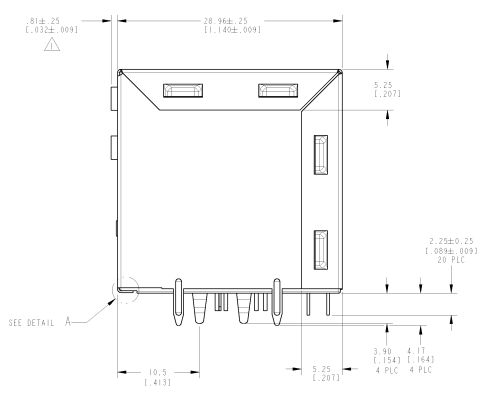
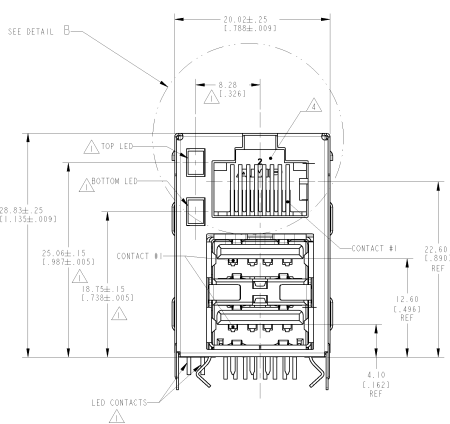


REV	DATE	DESCRIPTION	BY	CHKD	APPD
AA	22				
B	05/05/05				
B1		REVISED PER ECO-10-000445	11JAN10		MK AEG

- △ 6116151-2 & 6116151-4 ONLY.
- △ DATUM AND BASIC DIMENSION ESTABLISHED BY CUSTOMER.
- △ RECOMMENDED PC BOARD THICKNESS OF 1.571.0621.
- △ R,45 JACK CAVITY CONFORMS TO FCC RULES AND REGULATIONS, PART 68 SUBPART F.
- △ MATERIAL:
- HOUSING: PLASTIC HOUSING: UL94V-0 V0 THERMOPLASTIC. SEE TABLE FOR COLOR.
- TERMINAL: USB: 0.2510.013 THICK PHOSPHOR BRONZE PLATED WITH 1.27µm NICKEL IN LOCALIZED GOLD PLATE AREA 0.27µm MIN GOLD OVER 0.75µm MIN PALLADIUM-NICKEL IS ADDED OVER NICKEL UNDERPLATE. IN SOLDER AREA 3.8µm MIN TIN IS ADDED OVER NICKEL UNDERPLATE.
- R,45: 0.318 THICK PHOSPHOR BRONZE PLATED WITH 1.27µm MIN THICK NICKEL IN LOCALIZED GOLD PLATE AREA 1.27µm MIN THICK GOLD IS ADDED OVER NICKEL UNDERPLATE. IN SOLDER AREA 3.8µm MIN TIN IS ADDED OVER NICKEL UNDERPLATE.
- LED: 0.5 DIAMETER CARBON STEEL LEADS PREPLATED WITH 8.5µm THICK Sn/Cu OVER 2.03 µm THICK Sn OVER 1.02 µm THICK Cu OVER 3.96 µm THICK Ni OVER 1.02 µm Cu UNDERPLATE
- SHIELD: OUTER: 0.254 THICK COPPER-ZINC ALLOY PREPLATED WITH TIN 2µm TO 3.8µm THICK INNER: 0.318 THICK COPPER-ZINC ALLOY PREPLATED WITH TIN 2µm TO 3.8µm THICK USB: 0.318 THICK PHOSPHOR-BRONZE PREPLATED WITH 5.3µm MIN TIN

△ OBSOLETE PARTS: OBSOLETE CIS STREAMLING PER D,REMAUD/D,SNISI

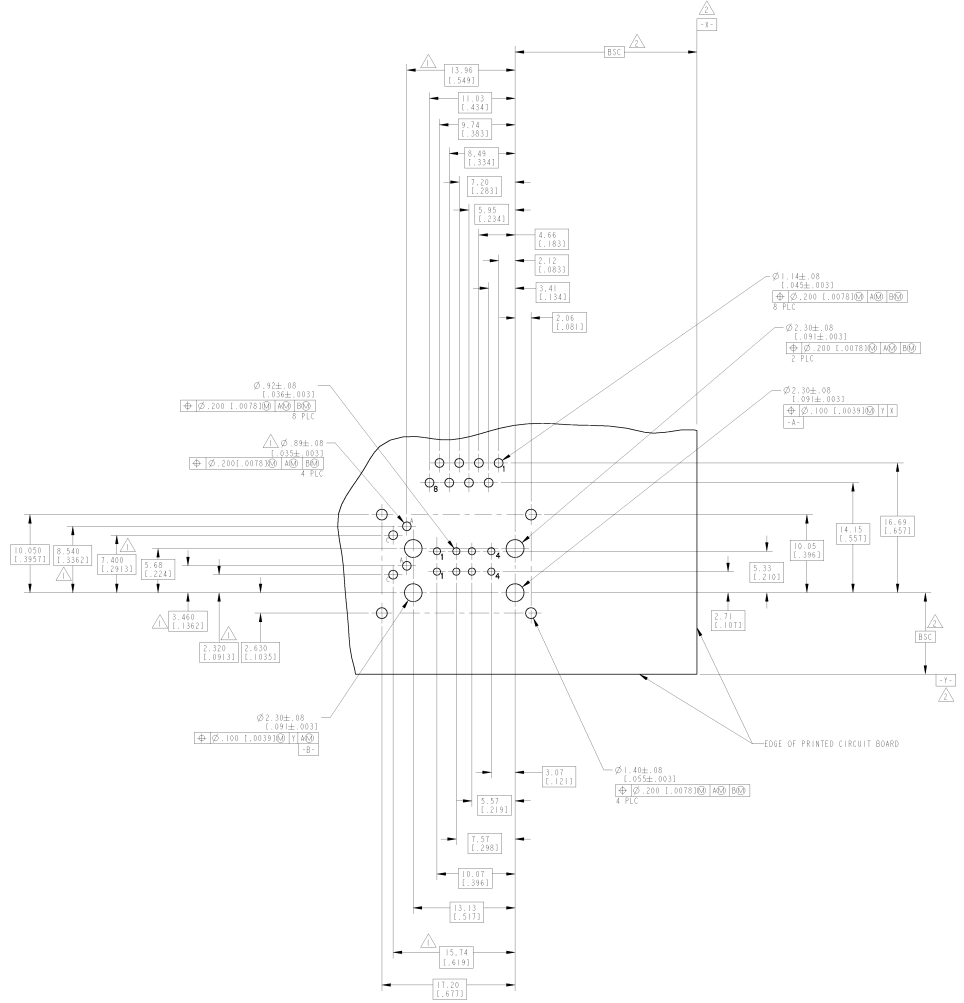


P/N 6116151-2 & 6116151-4 WITH LEDs

	GREEN	GREEN	BLACK	6116151-4
<b>OBSOLETE</b>	NO LED	NO LED	TURQUOISE	6116151-3
	YELLOW	GREEN	BLACK	6116151-2
	NO LED	NO LED	BLACK	6116151-1
	BOTTOM LED	TOP LED	HOUSING COLOR	PART NUMBER

MANUFACTURER: TTD ELECTRONICS	DATE: 05/01/2005	BY: TERRY L. HARRIS	APPD: TERRY L. HARRIS
DESCRIPTION: ASSEMBLY, R,45 MODULAR JACK OVER STACKED USB RECEPTACLE, WITH LEADS AND WITHOUT LEADS	PART NUMBER: A 100773	REV: 5	ECO: 6116151
MATERIAL: REF NOTE 5	REF NOTE 5	CUSTOMER DRAWING: REF 2.1	DATE: 05/01/2005

REV	DATE	DESCRIPTION	BY	CHK	APP
AA	22	SEE SHEET 1			



RECOMMENDED PCB LAYOUT

DRAWN BY: J. W. WILSON CHECKED BY: J. W. WILSON DATE: 08/11/2010 10:00:00 AM PROJECT: BJT-45 USB JACK WITH LEADS DRAWING: BJT-45 USB JACK WITH LEADS	<b>Stycor</b> TPO Electronics Harrisburg, PA 17109-1808	PART: ASSEMBLY, RJ-45 MODULAR JACK OVER STACKED USB RECEPTACLE, WITH LEADS AND WITHOUT LEADS QTY: 100000 REF: A CUSTOMER DRAWING:
--	---	--