

4

3

2

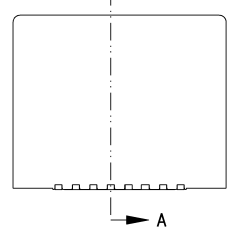
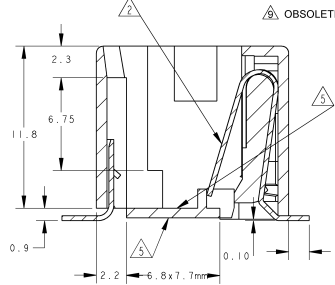
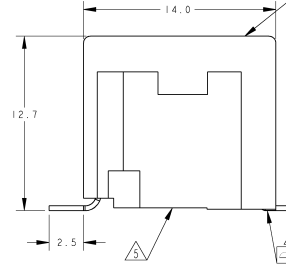
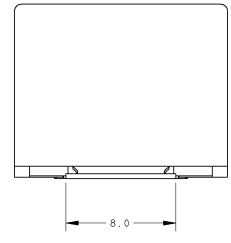
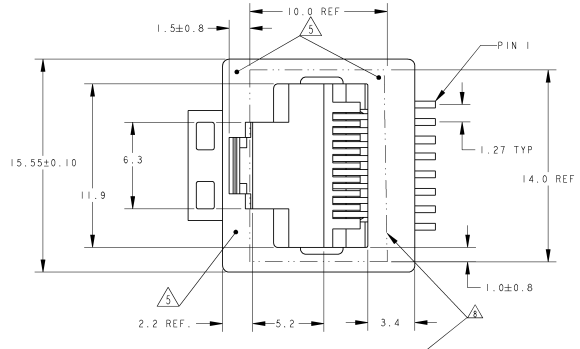
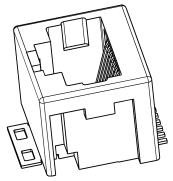
1

THIS DRAWING IS UNPUBLISHED. RELEASED FOR PUBLICATION. BY TYCO ELECTRONICS CORPORATION. ALL RIGHTS RESERVED.

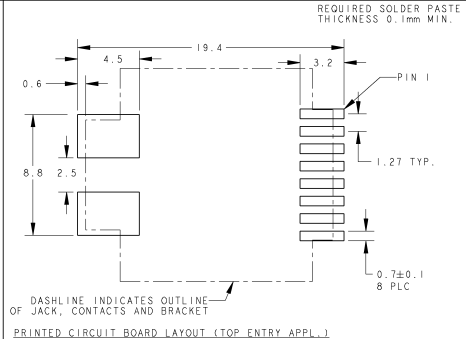
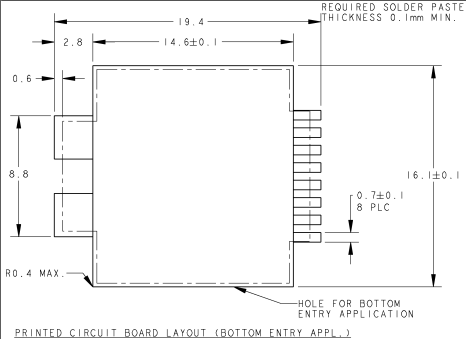
LOC	DIST	REVISIONS					
		P	LEH	DESCRIPTION	DATE	OWN	APPR
AA	22	T		EH10-0191-05	19/08/2005	PM	JB
		U		ECR-07-017392	26/02/2007	PCH	TdB
		V		ECR-08-000481	04/02/2008	PCH	TdB
		V1		ECR-10-010420	28/JUN/10	RK	SRE

NOTES:

- TOLERANCES UNLESS OTHERWISE SPECIFIED: ± 0.15 .
- CONTACT PLATING:
1. 27 μ m MIN. GOLD SELECTIVE IN CONTACT AREA, OVER 1.27 μ m MIN. NICKEL.
3. 5-5.0 μ m MIN. MATTE TIN ON SOLDER TINES.
- MATERIAL:
HOUSING: 302 G.F. P.A 9T, COLOR BLACK, UL 94V-0.
CONTACTS: PHOSPHOR BRONZE
SOLDER BRACKET: TEMPLATED BRASS WITH NICKEL UNDERLAYER.
- THIS JACK CAN ALSO BE APPLIED HANGING THROUGH A HOLE, IN A PRINTED CIRCUIT BOARD. SEE LEFT PCB LAYOUT.
- SURFACE CAN BE USED FOR PICKING THE MODULAR JACK WITH TYPE II SMD MACHINING.
- MEASURED AT HEEL OF CONTACTS, COPLANARITY AT TIPS MAX. 0.18mm.
- TAPE AND REEL PACKAGING ACCORDING TO EIA 481-3 SPECIFICATIONS.
- INCLUDES KAPTON TAPE (10mm x 14mm) ON TOP SURFACE FOR PICK AND PLACE UNIT
- OBsolete



SECTION A - A



8 POS. / 8 CONTACT	250PCS ON $\varnothing 360$ mm OD REEL TOP ENTRY ORIENTATION PER DETAIL B1 WITH KAPTON TAPE FOR PICK AND PLACING	1-338088-6														
8 POSN. / 8 CONTACT	250 PCS ON $\varnothing 360$ mm OD REEL BOTTOM ENTRY ORIENTATION PER DETAIL B2	338088-5														
8 POSN. / 8 CONTACT	500 PCS ON $\varnothing 560$ mm OD REEL TOP ENTRY ORIENTATION PER DETAIL B1	2-338088-3														
8 POSN. / 8 CONTACT	250 PCS ON $\varnothing 360$ mm OD REEL TOP ENTRY ORIENTATION PER DETAIL B1	1-338088-3														
REMARKS: PACKAGING		PART NUMBER														
<table border="1"> <tr> <td>DRAWN: E. J. ELIJN</td> <td>DATE: 30-Sep-'96</td> <td rowspan="2"> Tyco Electronics Corporation 's-Heerlenpostbus, Nederland </td> </tr> <tr> <td>APPROVED: R. SMETS</td> <td>NAME: E. SIELLINGA</td> </tr> <tr> <td colspan="2">DIMENSIONS: mm</td> <td>INVERTIBLE MODULAR JACK, 8 POSITION FOR SURFACE MOUNT APPLICATION</td> </tr> <tr> <td colspan="2">MATERIAL: SEE NOTE 3</td> <td>RESTRICTED TO: -</td> </tr> <tr> <td colspan="2">FINISH: SEE NOTE 2</td> <td>SCALE: 5:1 SHEET 1 OF 2 REV V1</td> </tr> </table>			DRAWN: E. J. ELIJN	DATE: 30-Sep-'96	Tyco Electronics Corporation 's-Heerlenpostbus, Nederland	APPROVED: R. SMETS	NAME: E. SIELLINGA	DIMENSIONS: mm		INVERTIBLE MODULAR JACK, 8 POSITION FOR SURFACE MOUNT APPLICATION	MATERIAL: SEE NOTE 3		RESTRICTED TO: -	FINISH: SEE NOTE 2		SCALE: 5:1 SHEET 1 OF 2 REV V1
DRAWN: E. J. ELIJN	DATE: 30-Sep-'96	Tyco Electronics Corporation 's-Heerlenpostbus, Nederland														
APPROVED: R. SMETS	NAME: E. SIELLINGA															
DIMENSIONS: mm		INVERTIBLE MODULAR JACK, 8 POSITION FOR SURFACE MOUNT APPLICATION														
MATERIAL: SEE NOTE 3		RESTRICTED TO: -														
FINISH: SEE NOTE 2		SCALE: 5:1 SHEET 1 OF 2 REV V1														

AMP 1471-9 REV 31MAR2000

338088-C

4

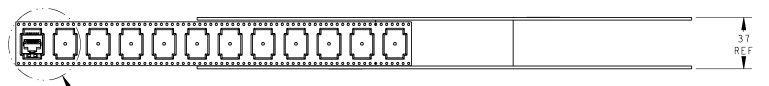
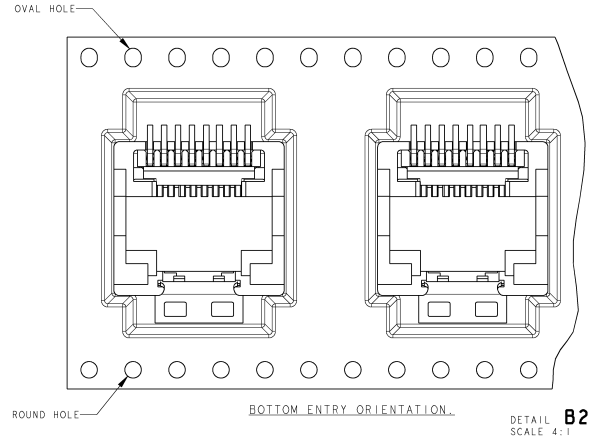
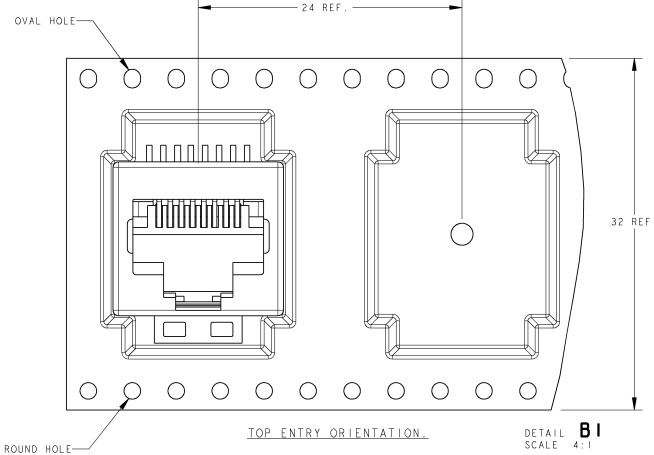
3

2

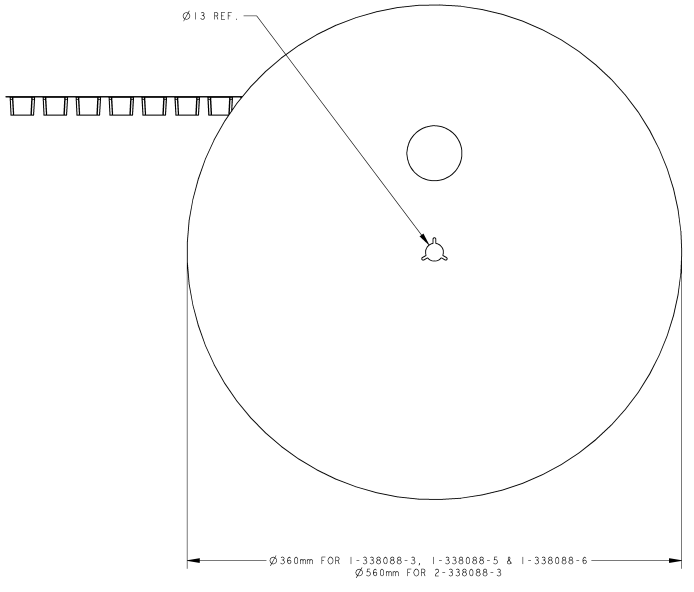
1

THIS DRAWING IS UNPUBLISHED. RELEASED FOR PUBLICATION
 BY TYCO ELECTRONICS CORPORATION. ALL RIGHTS RESERVED.

LOC	DIST	REVISIONS			
P	LTN	DESCRIPTION	DATE	OWN	APPD
-	-	SEE SHEET 1	-	-	-



SEE DETAIL B1 & B2



DIMENSIONS: mm 		DIMENSIONS: OVERMOLD SPECIFIC 0 P/LC ±- 1 P/LC ±- 2 P/LC ±- 3 P/LC ±- 4 P/LC ±- ANGLES ±- FINISH ±-	DWN E. W. ELIJN 11-Oct-96 OR E. SIJLLINGA Dec-'96 NAME R. SMETS PRODUCT SPEC APPLICATION SPEC WEIGHT CUSTOMER DRAWING	Tyco Electronics Tyco Electronics Corporation 's-Heerhagebosch, Nederland INVERTIBLE MODULAR JACK, 8 POSITION FOR SURFACE MOUNT APPLICATION FILE CASE CODE DRAWING NO A200779 C=338088 RESTRICTED TO
MATERIAL - FINISH -			SCALE 1:2 SHEET 2 OF 2 REV V1	

AMP 1471-9 REV 31MAR2000

338088-C