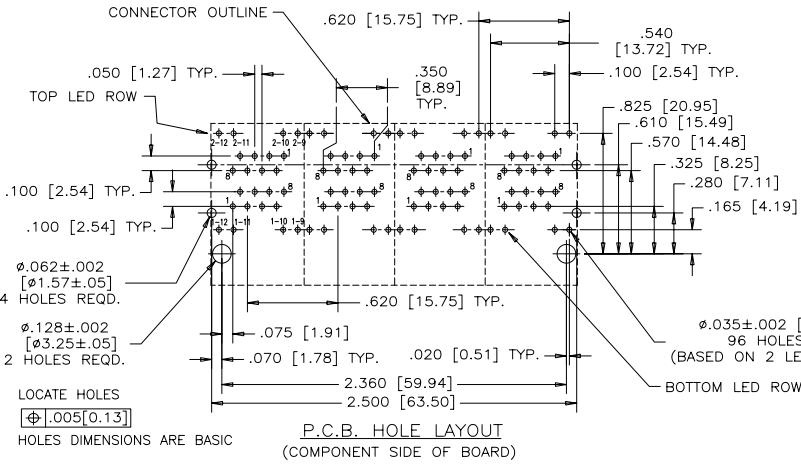
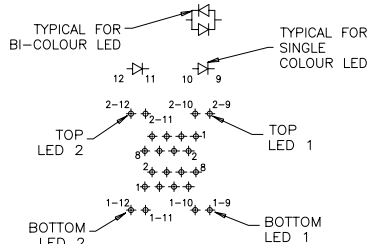
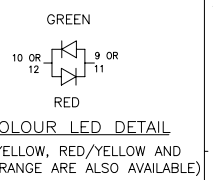
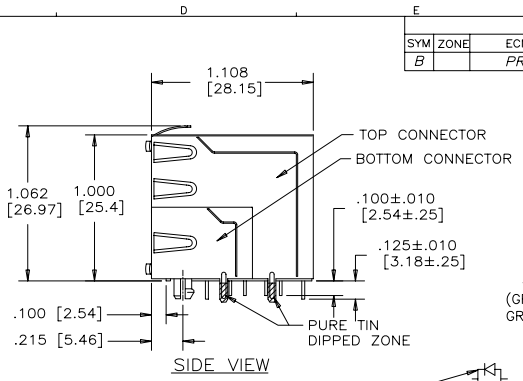
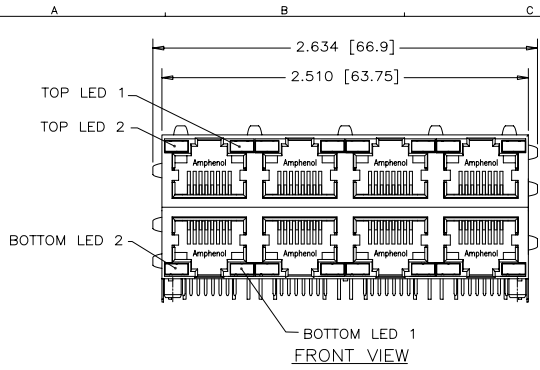


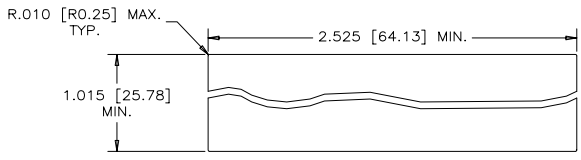
REVISIONS				
SYM	ZONE	ECN, ERN NO.	DATE	APPRD.
B		PROPOSAL	12/19/2005	L.CHAN



MATERIALS:
HOUSING: HIGH TEMPERATURE THERMOPLASTIC. FLAMMABILITY RATING UL 94V-0
CONTACTS: PHOSPHOR BRONZE
PLATING: 50µ" [1.27 MICRONS] MIN. GOLD OVER MATING SURFACES. 50µ" [1.27 MICRONS] MIN. NICKEL UNDERPLATE. 100µ" [2.54 MICRONS] MIN. MATTE TIN OR GOLD FLASH ON CONTACT TAILS.
SHIELD: COPPER ALLOY
PLATING: NICKEL WITH PURE TIN DIPPED PCB TAIL.

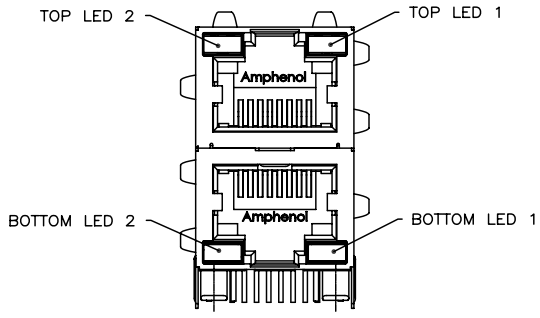
PART NUMBER: RJSAE-538X-08X

REFER TO LED OPTIONS DRAWING FOR ORDERING CODES



DRAWN PWANG	DATE 05/12/19	Amphenol Canada Corp.
DESIGNED		
CHECKED CHIGOW	DATE 05/12/19	TITLE STACKABLE MULTI-PORT MODULAR JACK (8 POS. 8 CONTACTS, 2 LEDS PER PORT, SHIELDED) - RoHS COMPLIANT
I. E. APPRD.		
Q. A. APPRD.		DWG. DRAWING NO. P-RJSAE-538X-08X
DWG. APPRD.		
ENG. REL. NO.		REF.
DIMENSIONS ARE IN INCHES [mm]	CODE ID. NO. 03554	SCALE
		WT. --- SURF. --- SHEET 1 of 1

THIS DOCUMENT CONTAINS PROPRIETARY INFORMATION AND SUCH INFORMATION MAY NOT BE DISCLOSED TO OTHERS FOR ANY PURPOSE OR USED FOR MANUFACTURING PURPOSES WITHOUT WRITTEN PERMISSION FROM AMPHENOL CANADA CORP.



TYPICAL FOR TWO & MULTI-PORT

REVISIONS				
SYM	ZONE	ECN, ERN NO.	DATE	APPRD.
D		PROPOSAL	MAR24/08	LCHAN

LED SPECIFICATIONS:
 FORWARD VOLTAGE: 2.1 VOLTS TYP.
 REVERSE VOLTAGE: 5.0 VOLTS MIN.
 LUMINOUS INTENSITY: 0.5 mCd MIN.
 (AT If=2mA)
 STORAGE TEMPERATURE: -20° TO 85° C
 LEAD SOLDERING TEMPERATURE: 260° C
 (5 SEC, 1/16" FROM CASE)
 PLATING ON TAILS: TIN OR TIN/COPPER ALLOY OVER SILVER

EXAMPLE:
 PART NUMBER RJSAE-528X
 + - (ANODE) + - (CATHODE)

EXAMPLE:
 PART NUMBER RJSAE-538U-08-XX
 LED COLOR CODE
 BOTTOM ASSY LED (SAME AS STD CODE)
 TOP ASSY LED (SAME AS STD CODE)

CODE	LED 2 (LEFT)	LED 1 (RIGHT)	CODE	LED 2 (LEFT)	LED 1 (RIGHT)	CODE	LED 2 (LEFT)	LED 1 (RIGHT)
0	BLOCKED	BLOCKED	9	GREEN	BLOCKED	J	BIC RD/GR	YELLOW
1	YELLOW	GREEN	A	BIC GR/YE	BIC GR/YE	K	YELLOW	BIC GR/OR
2	BLOCKED	GREEN	B	BIC RD/GR	BIC RD/GR	L	BIC GR/YE	RED
3	YELLOW	BLOCKED	C	BIC RD/GR	BIC GR/YE	M	RED	YELLOW
4	GREEN	YELLOW	D	GREEN	BIC GR/YE	N	BIC GR/RD	BIC GR/YE
5	GREEN	GREEN	E	YELLOW	BIC GR/YE	P	GREEN	BIC RD/GR
6	YELLOW	YELLOW	F	BIC GR/YE	YELLOW	R	BIC GR/OR	GREEN
7	RED	GREEN	G	BIC GR/OR	BIC GR/OR	T	RED	RED
8	GREEN	RED	H	BIC GR/YE	GREEN	V	BIC RD/GR	GREEN

PRIMARY COLOR FOR BI-COLOR
 LEDS IN STANDARD ANODE/
 CATHODE CONFIGURATION IS:
 RED-GREEN= RED
 RED-YELLOW= RED
 GREEN-YELLOW= GREEN
 GREEN-ORANGE= GREEN

LEGEND
 BiC=BI-COLOR LED
 LOWC=LOW CURRENT LED
 YE=YELLOW
 GR=GREEN
 RD=RED
 OR=ORANGE

EXAMPLE OF ADDITIONAL LED OPTIONS:
 PART NUMBER RJSAE-528W-A2X
 ADDITIONAL LED COLOR CODE
 DENOTES ADDITIONAL LED OPTIONS TO BE USED

CODE	LED 2 (LEFT)	LED 1 (RIGHT)	CODE	LED 2 (LEFT)	LED 1 (RIGHT)	CODE	LED 2 (LEFT)	LED 1 (RIGHT)
0	DO NOT USE		5	BLOCKED	YELLOW	A	LOWC YE	LOWC YE
1	RED	BLOCKED	6	RED	BIC RD/GR	B	LOWC YE	LOWC GR
2	BIC GR/OR	YELLOW	7			C	LOWC GR	LOWC YE
3	YELLOW	RED	8	BIC RD/GR	BLOCKED	D	LOWC GR	LOWC GR
4	BLOCKED	RED	9	BIC GR/YE	BLOCKED	E	BLOCKED	LOWC GR
						F	LOWC GR	LOWC RD
						G	LOWC RD	LOWC GR
						M	LOWC RD	LOWC YE
						N	GREEN	BIC GR/OR

NOTE:
 THE TWO DIGITS PRECEDING THE
 ADDITIONAL LED CODE MUST BE
 USED IN THE PART NUMBER, WHEN
 ORDERING ANY OF THE ADDITIONAL
 LED OPTIONS.

DRAWN	ChigowX	DATE	NOV.18/06	Amphenol Canada Corp.	
DESIGNED					
CHECKED	LCHAN	DATE	NOV.18/06	TITLE LED OPTIONS FOR RJSAE, MULTI-PORT CONNECTORS - RoHS COMPLIANT	
I. E. APPRD.					
Q. A. APPRD.				DWG. DRAWING NO. P-RJSAE-LEDS	
DWG. APPRD.					
ENG. REL. NO.				DWG.	D
REF.				REV. D	
DIMENSIONS ARE IN INCHES [mm]		CODE ID. NO.	03554	SCALE	WT. ----- SURF. ----- SHEET 1 OF 1

THIS DOCUMENT CONTAINS PROPRIETARY INFORMATION AND SUCH INFORMATION
 MAY NOT BE DISCLOSED TO OTHERS FOR ANY PURPOSE OR USED FOR MANUFACTURING
 PURPOSES WITHOUT WRITTEN PERMISSION FROM AMPHENOL CANADA CORP.