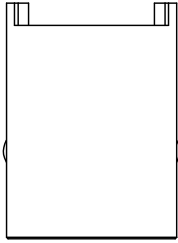
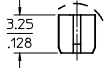
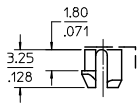
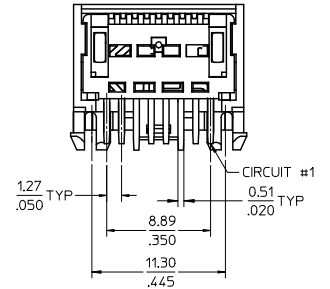
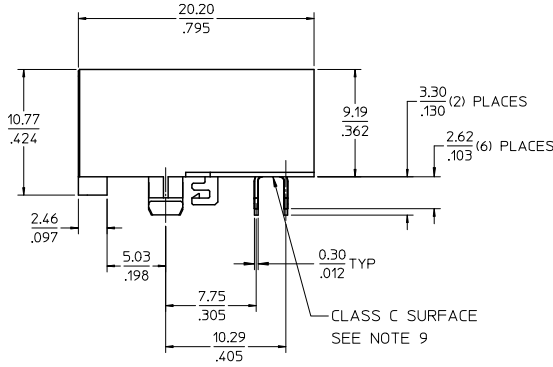
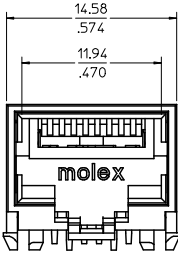
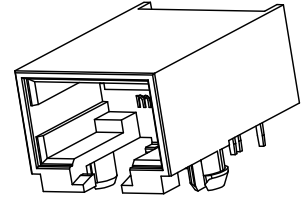


13 12 11 10 9 8 7 6 5 4 3 2 1



- NOTES:
 1) MATERIAL:
 HOUSING: NYLON(PA), GLASS FILLED, UL94V-0, COLOR: BLACK
 TERMINALS: PHOSPHOR BRONZE
 2) FINISH:
 TERMINALS:
 SELECT GOLD IN CONTACT AREA: 1.27 MICROMETERS / 50 MICROINCHES MIN.
 SELECT MATTE TIN IN PC TAIL AREA: 2.54 MICROMETERS / 100 MICROINCHES MIN.
 WITH OVERALL NICKEL UNDERPLATE: 1.27 MICROMETERS / 50 MICROINCHES MIN.
 3) PRODUCT SPECIFICATION AND PROCESSING PARAMETERS: PS-44560-003.
 4) PACKAGING SPECIFICATION:
 CONNECTOR PACKAGED IN TRAYS PER MOLEX PACKAGING SPECIFICATION
 PK-44661-004.
 5) CONFORMS TO FCC REGULATION PART 68.5 FOR MODULAR JACKS.
 6) SEE SHEET (4) OF (4) FOR RECOMMENDED PANEL OPENING AND PCB LAYOUT.
 7) ASSEMBLY AVAILABLE WITH EITHER SNAP-FIT OR PRESS-FIT PEGS. THIS
 DRAWING SHOWS SNAP-FIT PEGS.
 8) TERMINAL LENGTHS MAY BE DIFFERENT FROM TERMINAL TO TERMINAL.
 9) THIS PART CONFORMS TO CLASS B REQUIREMENTS OF COSMETIC
 SPECIFICATION PS-45499-002 WITH THE EXCEPTION OF THE SURFACE
 INDICATED, WHICH IS A CLASS C SURFACE.
 10) THIS PRODUCT IS COMPLIANT TO RoHS DIRECTIVE 2002/95/EC AND ELV
 ANNEX II OF DIRECTIVE 2000/53/EC.



SNAP-FIT PEG

PRESS-FIT PEG

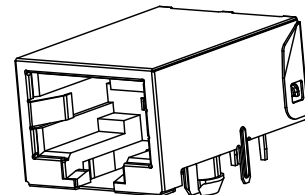
ASSEMBLY MATERIAL NUMBER	PEG STYLE
446610002	SNAP-FIT
446611002	PRESS-FIT

UPDATE NOTES EC NO: UCP2009-2791 DRAWN: JRELL 2009/07/06 CHKD: RKP 2009/07/22 APPR: SMITH 2009/07/23	QUALITY SYMBOLS ▽=0 ▽=0	GENERAL TOLERANCES (UNLESS SPECIFIED)		DIMENSION STYLE MM/IN		SCALE 4:1	DESIGN UNITS INCH	THIRD ANGLE PROJECTION	
		4 PLACES ± .012 3 PLACES ± .012 2 PLACES ± 0.30 1 PLACE ± .012	mm INCH	DRAWN BY MKAMAR	DATE 00/04/07	TITLE COMPACT SINGLE PORT CATEGORY 5E MODJACK			
		ANGULAR ± 1/2°		CHECKED BY MKAMAR	DATE 00/04/07	APPROVED BY JROBERTS			
		DRAFT WHERE APPLICABLE MUST REMAIN WITHIN DIMENSIONS	SEE CHART	MATERIAL NO. SD-44661-001	DOCUMENT NO. SD-44661-001	SHEET NO. 1 OF 4			

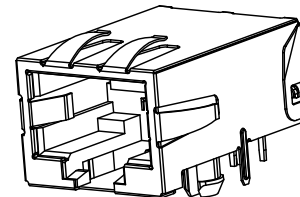
13 12 11 10 9 8 7 6 5 4 3 2 1

NOTES:

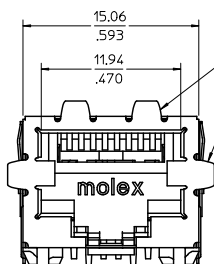
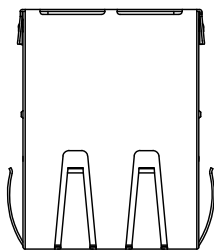
- 1) MATERIAL:
HOUSING: NYLON(PA), GLASS FILLED, UL94V-0, COLOR: BLACK
TERMINALS: PHOSPHOR BRONZE
SHIELD: BRASS, 0.18 / .007 THICK
- 2) FINISH:
TERMINALS:
SELECT GOLD IN CONTACT AREA: 127 MICROMETERS / 50 MICROINCHES MIN.
SELECT MATTE TIN IN PC TAIL AREA: 2.54 MICROMETERS / 100 MICROINCHES MIN.
WITH OVERALL NICKEL UNDERPLATE: 127 MICROMETERS / 50 MICROINCHES MIN.
SHIELD:
2.54 MICROMETERS / 100 MICROINCHES NICKEL OVER 127 MICROMETERS / 50 MICROINCHES COPPER UNDERPLATE, PCB GROUND TABS DIPPED IN TIN
- 3) PRODUCT SPECIFICATION AND PROCESSING PARAMETERS: PS-44560-003.
- 4) PACKAGING SPECIFICATION:
CONNECTOR PACKAGED IN TRAYS PER MOLEX PACKAGING SPECIFICATION PK-44661-004.
- 5) CONFORMS TO FCC REGULATION PART 68.5 FOR MODULAR JACKS.
- 6) ENHANCED GROUND TABS SHIELD (OPTION -B-) IS SHOWN IN THIS DRAWING.
- 7) SEE SHEET (4) OF (4) FOR RECOMMENDED PANEL OPENING AND PCB LAYOUT.
- 8) ASSEMBLY AVAILABLE WITH EITHER SNAP-FIT OR PRESS-FIT PEGS. THIS DRAWING SHOWS SNAP-FIT PEGS.
- 9) TERMINAL LENGTHS MAY BE DIFFERENT FROM TERMINAL TO TERMINAL.
- 10) THIS PART CONFORMS TO CLASS B REQUIREMENTS OF COSMETIC SPECIFICATION PS-45499-002 WITH THE EXCEPTION OF THE SURFACE INDICATED, WHICH IS A CLASS C SURFACE.
- 11) THIS PRODUCT IS COMPLIANT TO ROHS DIRECTIVE 2002/95/EC AND ELV ANNEX II OF DIRECTIVE 2000/53/EC.



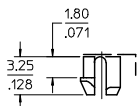
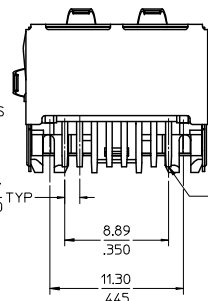
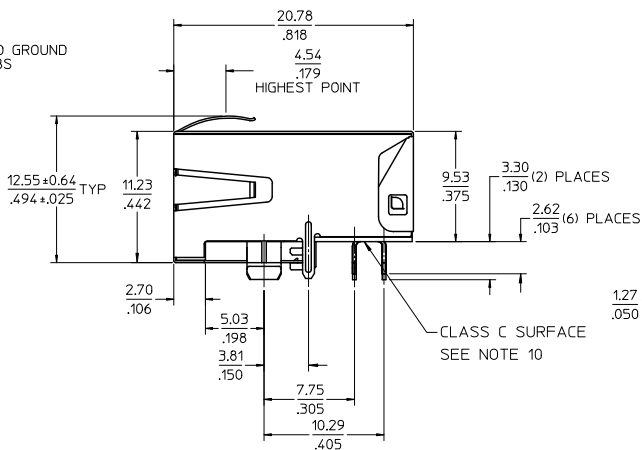
SHIELDING OPTION -A-
STANDARD SHIELD



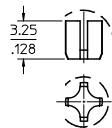
SHIELDING OPTION -B-
ENHANCED GROUND TABS



ENHANCED GROUND TABS



SNAP-FIT PEG



PRESS-FIT PEG

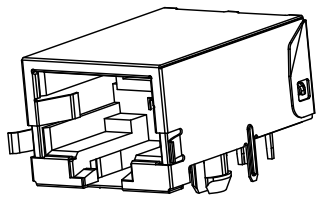
ASSEMBLY MATERIAL NUMBER	PEG STYLE	SHIELDING OPTION
446610001	SNAP-FIT	A
446610011	SNAP-FIT	B
446610001	PRESS-FIT	A
446610011	PRESS-FIT	B

UPDATE NOTES EC NO: UCF2003-2791 DRAWN: BELL 2009/07/06 CHKD: RKP 2009/07/22 APPR: F. SMITH 2009/07/23 GZ REV DESCRIPTION	QUALITY SYMBOLS ▽=0 ▽=0	GENERAL TOLERANCES (UNLESS SPECIFIED) <table border="1"> <tr> <th></th> <th>mm</th> <th>INCH</th> </tr> <tr> <td>4 PLACES</td> <td>±.005</td> <td>±.0005</td> </tr> <tr> <td>3 PLACES</td> <td>±.003</td> <td>±.0002</td> </tr> <tr> <td>2 PLACES</td> <td>±0.030</td> <td>±.0012</td> </tr> <tr> <td>1 PLACE</td> <td>±.003</td> <td>±.0012</td> </tr> </table> ANGULAR ±1/2°		mm	INCH	4 PLACES	±.005	±.0005	3 PLACES	±.003	±.0002	2 PLACES	±0.030	±.0012	1 PLACE	±.003	±.0012	DIMENSION STYLE MM/IN	SCALE 4:1	DESIGN UNITS INCH	THIRD ANGLE PROJECTION
		mm	INCH																		
	4 PLACES	±.005	±.0005																		
	3 PLACES	±.003	±.0002																		
2 PLACES	±0.030	±.0012																			
1 PLACE	±.003	±.0012																			
DRAWN BY: MKAMAR CHECKED BY: MKAMAR APPROVED BY: JROBERTS DATE: 00/04/07		DATE: 00/04/07		TITLE COMPACT SINGLE PORT CATEGORY 5E MODJACK																	
DRAFT WHERE APPLICABLE MUST REMAIN WITHIN DIMENSIONS		SEE CHART		MATERIAL NO. SD-44661-001 DOCUMENT NO. SD-44661-001																	
THIS DRAWING CONTAINS INFORMATION THAT IS PROPRIETARY TO MOLEX INCORPORATED AND SHOULD NOT BE USED WITHOUT WRITTEN PERMISSION																					

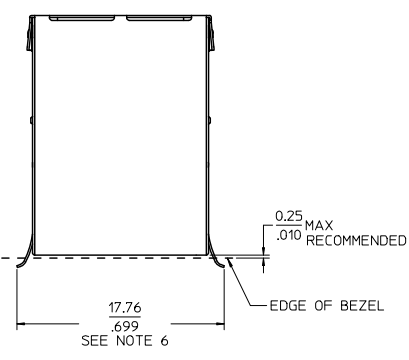
12 11 10 9 8 7 6 5 4 3 2 1

13 12 11 10 9 8 7 6 5 4 3 2 1

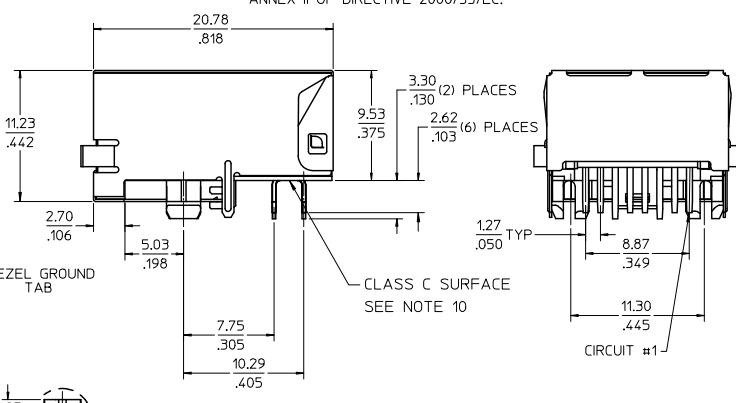
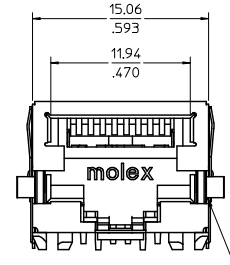
- NOTES:
 1) MATERIAL:
 HOUSING: NYLON (PA), GLASS FILLED, UL94V-0, COLOR: BLACK
 TERMINALS: PHOSPHOR BRONZE
 SHIELD: BRASS, 0.18 / .007 THICK
 2) FINISH:
 TERMINALS:
 SELECT GOLD IN CONTACT AREA: 1.27 MICROMETERS / 50 MICROINCHES MIN.,
 SELECT MATTE TIN IN PC TAIL AREA: 2.54 MICROMETERS / 100 MICROINCHES MIN.,
 WITH OVERALL NICKEL UNDERPLATE: 1.27 MICROMETERS / 50 MICROINCHES MIN.
 SHIELD:
 2.54 MICROMETERS / 100 MICROINCHES NICKEL OVER 1.27 MICROMETERS /
 50 MICROINCHES COPPER UNDERPLATE, PCB GROUND TABS DIPPED IN TIN.
 3) PRODUCT SPECIFICATION AND PROCESSING PARAMETERS: PS-44560-003.
 4) PACKAGING SPECIFICATION:
 CONNECTOR PACKAGED IN TRAYS PER MOLEX PACKAGING
 SPECIFICATION PK-44661-004.
 5) CONFORMS TO FCC REGULATION PART 68.5 FOR MODULAR JACKS.
 6) THIS DIMENSION HAS A MAXIMUM OF 20.45/0.805 WHEN THE JACK IS INSTALLED
 BEHIND THE BEZEL.
 7) SEE SHEET (4) OF (4) FOR PCB LAYOUT.
 8) ASSEMBLY AVAILABLE WITH EITHER SNAP-FIT OR PRESS-FIT PEGS. THIS
 DRAWING SHOWS SNAP-FIT PEGS.
 9) TERMINAL LENGTHS MAY BE DIFFERENT FROM TERMINAL TO TERMINAL.
 10) THIS PART CONFORMS TO CLASS B REQUIREMENTS OF COSMETIC
 SPECIFICATION PS-45499-002 WITH THE EXCEPTION OF THE SURFACE
 INDICATED, WHICH IS A CLASS C SURFACE.
 11) THIS PRODUCT IS COMPLIANT TO RoHS DIRECTIVE 2002/95/EC AND ELV
 ANNEX II OF DIRECTIVE 2000/53/EC.



SHIELDING OPTION -C-
BEZEL GROUND TABS

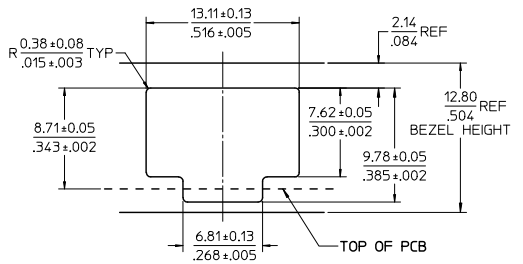


SEE NOTE 6

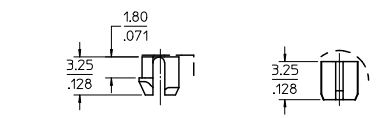


CLASS C SURFACE
SEE NOTE 10

CIRCUIT #1



RECOMMENDED
PANEL OPENING
FOR PMC BEZEL ONLY



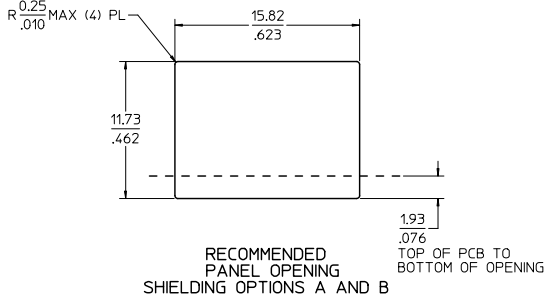
SNAP-FIT PEG PRESS-FIT PEG

ASSEMBLY MATERIAL NUMBER	PEG STYLE
446610021	SNAP-FIT
446611021	PRESS-FIT

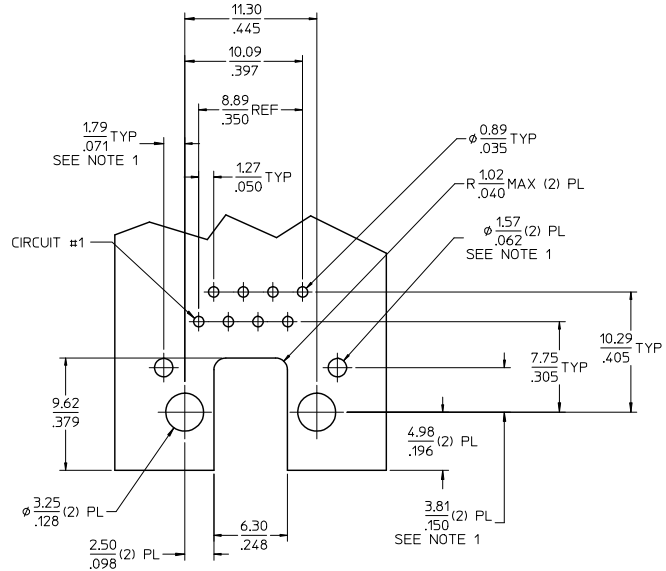
UPDATE NOTES	QUALITY SYMBOLS	GENERAL TOLERANCES (UNLESS SPECIFIED)		DIMENSION STYLE		SCALE	DESIGN UNITS	THIRD ANGLE PROJECTION
		mm	INCH	MM/IN	MM/IN			
EC NO. UCP2008-2791	▽=0	4 PLACES ± .012	± .012	DRAWN BY	DATE	4:1	INCH	THIRD ANGLE PROJECTION
DRWN:JBELL	▽=0	3 PLACES ± .030	± .030	MKAMAR	00/04/07			
CHKD:KIPPER	▽=0	2 PLACES ± .030	± .030	CHECKED BY	DATE	COMPACT SINGLE PORT CATEGORY 5E MODJACK		
APPR:SMITH	▽=0	1 PLACE ± .030	± .030	MKAMAR	00/04/07			
REV	DESCRIPTION	ANGULAR ± 1/2°		APPROVED BY	DATE	MOLEX INCORPORATED		
G2	REV	DRAFT WHERE APPLICABLE MUST REMAIN WITHIN DIMENSIONS		JROBERTS	00/04/07			
				SEE CHART		SD-44661-001		
				THIS DRAWING CONTAINS INFORMATION THAT IS PROPRIETARY TO MOLEX INCORPORATED AND SHOULD NOT BE USED WITHOUT WRITTEN PERMISSION		SHEET NO. 3 OF 4		

12 11 10 9 8 7 6 5 4 3 2 1

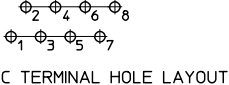
13 12 11 10 9 8 7 6 5 4 3 2 1



RECOMMENDED PANEL OPENING SHIELDING OPTIONS A AND B



PCB LAYOUT : COMPONENT SIDE
RECOMMENDED PCB THICKNESS (SNAP-FIT PEG) : 1.57/.062
TOLERANCE $\pm .076 / .003$ UNLESS OTHERWISE SPECIFIED



TYPICAL PC TERMINAL HOLE LAYOUT

NOTES:
1. DIMENSIONS REFER TO ASSEMBLIES WITH SHIELDING OPTION

EC NO. UEP2009-2791 DRAWN BY: JUBELL 2009/07/06 CHECKED BY: CHADWICK 2009/07/22 APPR: SMITH 2009/07/23	QUALITY SYMBOLS $\nabla=0$ $\triangledown=0$	GENERAL TOLERANCES (UNLESS SPECIFIED)		DIMENSION STYLE MM/IN		SCALE 4:1	DESIGN UNITS INCH	THIRD ANGLE PROJECTION
		4 PLACES \pm --- \pm --- 3 PLACES \pm --- \pm .012 2 PLACES \pm 0.30 \pm --- 1 PLACE \pm --- \pm --- ANGULAR $\pm 1/2^\circ$	mm INCH	DRAWN BY MKAMAR	DATE 00/04/07	TITLE COMPACT SINGLE PORT CATEGORY 5E MODJACK		
REV G2	DESCRIPTION	DRAFT WHERE APPLICABLE MUST REMAIN WITHIN DIMENSIONS		APPROVED BY JROBERTS	DATE 00/04/07	Molex MOLEX INCORPORATED		SHEET NO. 4 OF 4
		MATERIAL NO. N/A		DOCUMENT NO. SD-44661-001		THIS DRAWING CONTAINS INFORMATION THAT IS PROPRIETARY TO MOLEX INCORPORATED AND SHOULD NOT BE USED WITHOUT WRITTEN PERMISSION		

1b_frame_C_P_AM_T Rev. D 2004/06/28 12 11 10 9 8 7 6 5 4 3 2 1