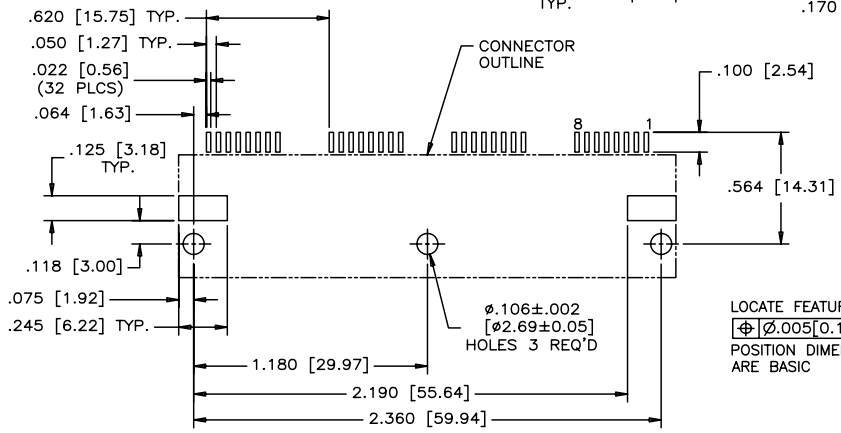
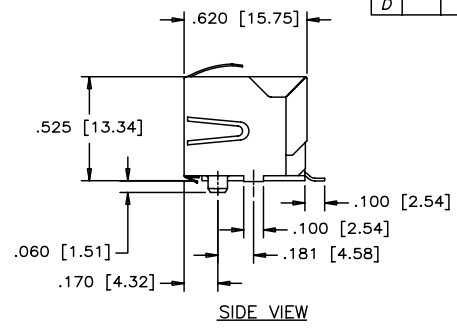
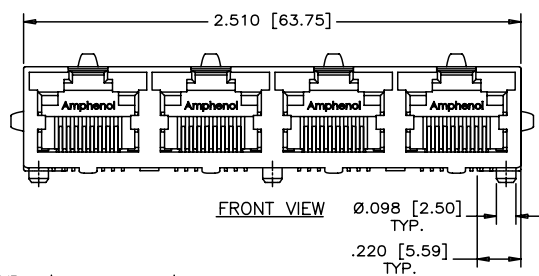


REVISIONS				
SYM	ZONE	DESCRIPTION	DATE	APPRD.
D		PROPOSAL	DEC.29/06	L.C.



LOCATE FEATURES
 Φ [0.005 [0.13]]
 POSITION DIMENSIONS ARE BASIC



MATERIALS:
 PLASTIC HOUSING: HIGH ENGINEERING THERMOPLASTIC
 FLAMMABILITY RATING UL 94V-0

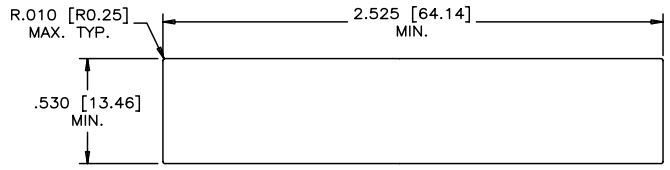
CONTACTS: PHOSPHOR BRONZE
 PLATING: 20 μ" [0.51 MICRONS]
 MIN. GOLD ON MATING SURFACES.
 50 μ" [1.27 MICRONS]
 MIN. NICKEL UNDERPLATE
 100 μ" [2.54 MICRONS]
 MIN. MATTE TIN ON CONTACT

TAILS

SHIELD: COPPER ALLOY
 PLATING: NICKLE

RECOMMENDED SOLDERING TEMPERATURE:
 WAVE SOLDERING OR REFLOW SOLDERING AT 260°C MAXIMUM FOR 5 SEC MAXIMUM.

PART NUMBER: RJSSE-5380-04

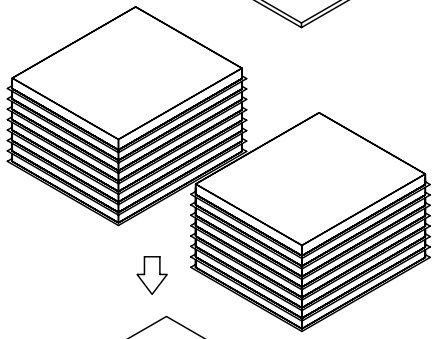
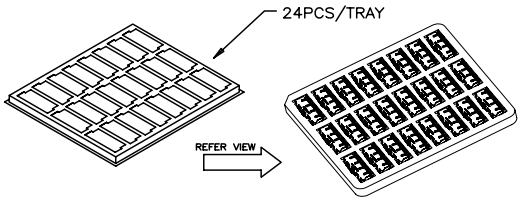
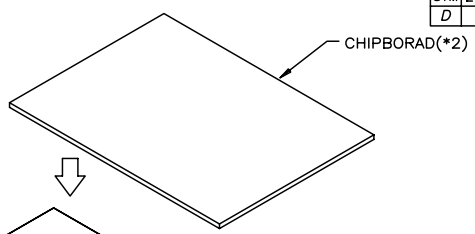
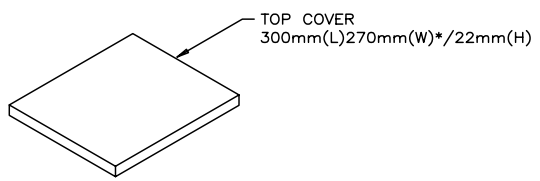


RECOMMENDED PANEL CUTOUT

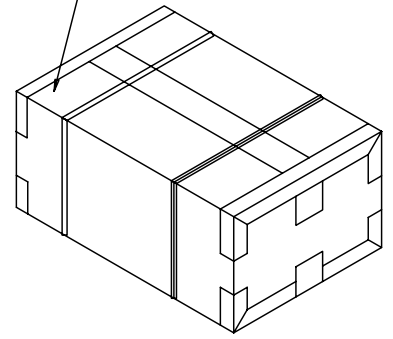
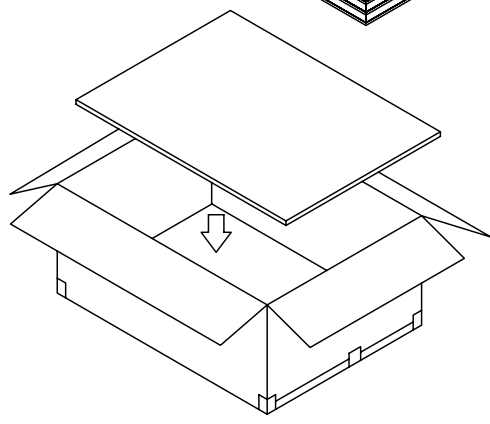
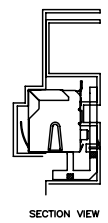
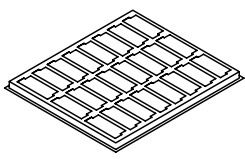
THIS DOCUMENT CONTAINS PROPRIETARY INFORMATION AND SUCH INFORMATION MAY NOT BE DISCLOSED TO OTHERS FOR ANY PURPOSE OR USED FOR MANUFACTURING PURPOSES WITHOUT WRITTEN PERMISSION FROM AMPHENOL CANADA CORP.

DRAWN	ChigowX	DATE	DEC.29/06	Amphenol Canada Corp.			
DESIGNED							
CHECKED	LCHAN	DATE	DEC.29/06	TITLE			
I. E. APPRD.							
Q. A. APPRD.				4 PORT, SURFACE MOUNT, RJ45 MODULAR JACK, 8 POSITION, 8 CONTACTS, SHIELDED, WITHOUT LEDs --RoHS COMPLIANT			
DWG. APPRD.							
ENG. REL. NO.				DWG	DRAWING NO.		
REF.				P-RJSSE-5380-04			
DIMENSIONS ARE IN		CODE ID. NO.	03554	SCALE	WT.	SURF.	SHEET 1 OF 2
INCHES (mm)							

REVISIONS				
SYM	ZONE	DESCRIPTION	DATE	APPRD.
D		PROPOSAL	DEC.25/06	L.C.



CARTON
560mm(L)*310mm(W)*210mm(H)
16 TRAY/CARTON
TOTAL:384PCS



PACKAGE NOTES:
1. ONE TRAY SHOULD HOLD 30 PCS CONNECTORS.
2. A FULLY LOADED CARTON SHOULD CONTAIN 18 TRAYS(540 PCS) OF CONNECTORS.

THIS DOCUMENT CONTAINS PROPRIETARY INFORMATION AND SUCH INFORMATION MAY NOT BE DISCLOSED TO OTHERS FOR ANY PURPOSE OR USED FOR MANUFACTURING PURPOSES WITHOUT WRITTEN PERMISSION FROM AMPHENOL CANADA CORP.

DRAWN	ChigowX	DATE	DEC.25/06	Amphenol Canada Corp.			
DESIGNED							
CHECKED	LCHAN	DATE	DEC.25/06	TITLE 4 PORT, SURFACE MOUNT, RJ45 MODULAR JACK, 8 POSITION, 8 CONTACTS, SHIELDED, WITHOUT LEDS --RoHS COMPLIANT			
I. E. APPRD.							
Q. A. APPRD.							
DWG. APPRD.							
ENG. REL. NO.				DWG DRAWING NO.	P-RJSSE-5380-04	REV.	D
REF.				DIMENSIONS ARE IN	INCHES (mm)	CODE ID. NO.	03554
				SCALE		WT.	
						SURF.	
							SHEET 2 OF 2