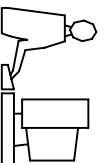
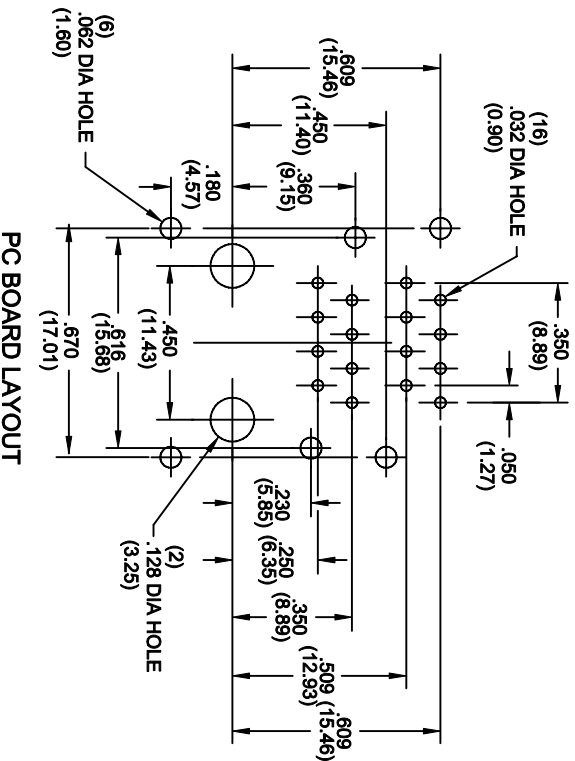
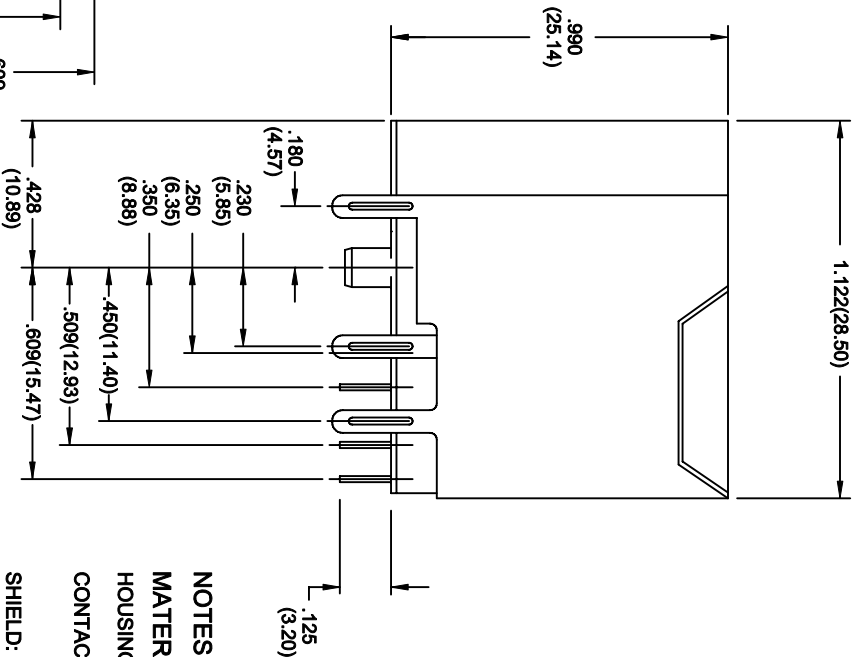
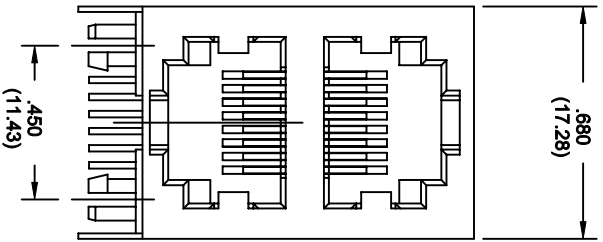


THIS IS A C.A.D. GENERATED DRAWING
DO NOT MAKE MANUAL REVISIONS TO MASTER.



ISSUE NUMBER	1
ORIGINAL	1
CONTACT PLATING WAS GOLD ON CONTACT AREA TIN ON TAILS	2
F.BRIONES DEC.04/09	2



NOTES

MATERIAL AND FINISH:

HOUSING: PBT POLYESTER, UL94V-0, GLASS FIBER, COLOR BLACK

CONTACTS: PHOSPHOR BRONZE, GOLD PLATED ON CONTACT AREA

AND GOLD FLASH ON TAILS OVER NICKEL

SHIELD: BRASS, NICKEL PLATED

- AOO-216-272-450 GOLD FLASH
- AOO-216-372-450 15 MICRONS OF GOLD
- AOO-216-672-450 30 MICRONS OF GOLD
- AOO-216-972-450 50 MICRONS OF GOLD



THIS SERIES FULLY CONFORMS TO THE
EUROPEAN UNION DIRECTIVES 2002/95/EC
AND 2002/96/EC FOR ROHS COMPLIANCY.

2X8P FULL SHIELDED JACKS



EDAC INC
TORONTO, ONTARIO
CANADA

THESE DRAWINGS AND SPECIFICATIONS
ARE THE PROPERTY OF EDAC INC, AND
SHALL NOT BE REPRODUCED, OR COPIED
OR USED AS THE BASIS FOR THE
MANUFACTURE OR SALE OF APPARATUS
WITHOUT WRITTEN PERMISSION.

ACAD REF. DRAWING:	A00-216-272-450
DRAWN: F.BRIONES	DATE: AUG. 12/04
DRAWING NUMBER	SEE ABOVE
DRAWING NUMBER	A00-216-272-450
ISSUE	2