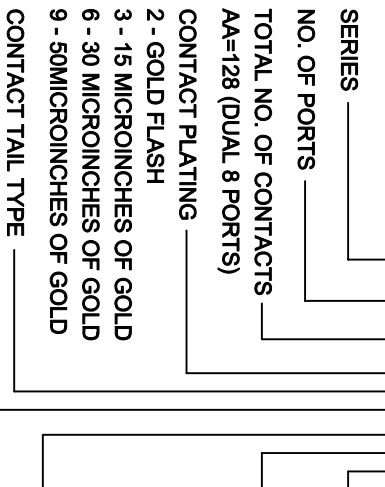


EDAC PART NO. SYSTEM

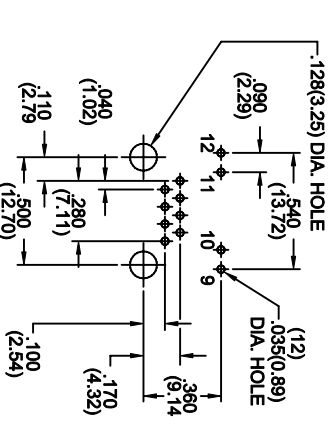
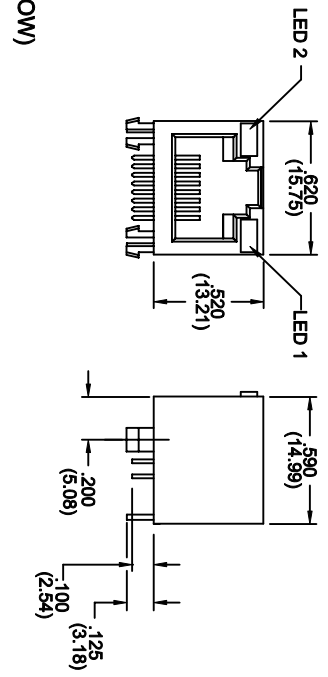
A20-108-261-210

THIS IS A C.A.D. GENERATED DRAWING
DO NOT MAKE MANUAL REVISIONS TO MASTER.

ISSUE NUMBER
ORIGINAL ①



- 0 - SINGLE ROW OF PORTS
- 1 - TWO ROWS OF PORTS
- 0 - NO SHIELD
- 1 - METAL SHIELD
- RIGHT LED COLOR
- 0 - BLANK
- 1 - YELLOW
- 2 - RED
- 3 - GREEN
- 4 - BI-COLOR (1-GREEN/2-YELLOW)
- 5 - BI-COLOR (1-RED/2-GREEN)
- 6 - BI-COLOR (1-GREEN/2-ORANGE)
- 7 - BI-COLOR (1-RED/2-YELLOW)
- 8 - ORANGE
- LEFT LED COLOR
- 0 - BLANK
- 1 - YELLOW
- 2 - RED
- 3 - GREEN
- 4 - BI-COLOR (1-GREEN/2-YELLOW)
- 5 - BI-COLOR (1-RED/2-GREEN)
- 6 - BI-COLOR (1-GREEN/2-ORANGE)
- 7 - BI-COLOR (1-RED/2-YELLOW)
- 8 - ORANGE



- (CODE 4) GREEN 10-11-9 GREEN (CODE 6)
- YELLOW 12-11-1 ORANGE

- RED 10-11-9 RED (CODE 7)
- GREEN 12-11-1 YELLOW



THIS SERIES FULLY CONFORMS TO THE
EUROPEAN UNION DIRECTIVES 2002/95/EC
AND 2002/96/EC FOR ROHS COMPLIANCY.

TYP. FOR SINGLE
COLOR LED'S



MODULAR JACKS WITH LED'S PART NUMBER STRUCTURE

EDAC INC.
TORONTO, ONTARIO
CANADA
YOUR CONNECTION TO QUALITY & SERVICE

THESE DRAWINGS AND SPECIFICATIONS
ARE THE PROPERTY OF EDAC INC. AND
SHALL NOT BE REPRODUCED OR COPIED
OR USED AS THE BASIS FOR THE
MANUFACTURE OR SALE OF APPARATUS
WITHOUT WRITTEN PERMISSION.

ACAD REFERENCE NO.	A20-000-SALES
DRAWN: R.BLAKEY	DATE: JAN 27/06
PART NUMBER	A20-000-000
DRAWING NUMBER	A20-000-000
ISSUE	1