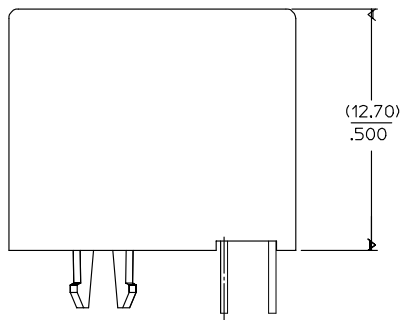


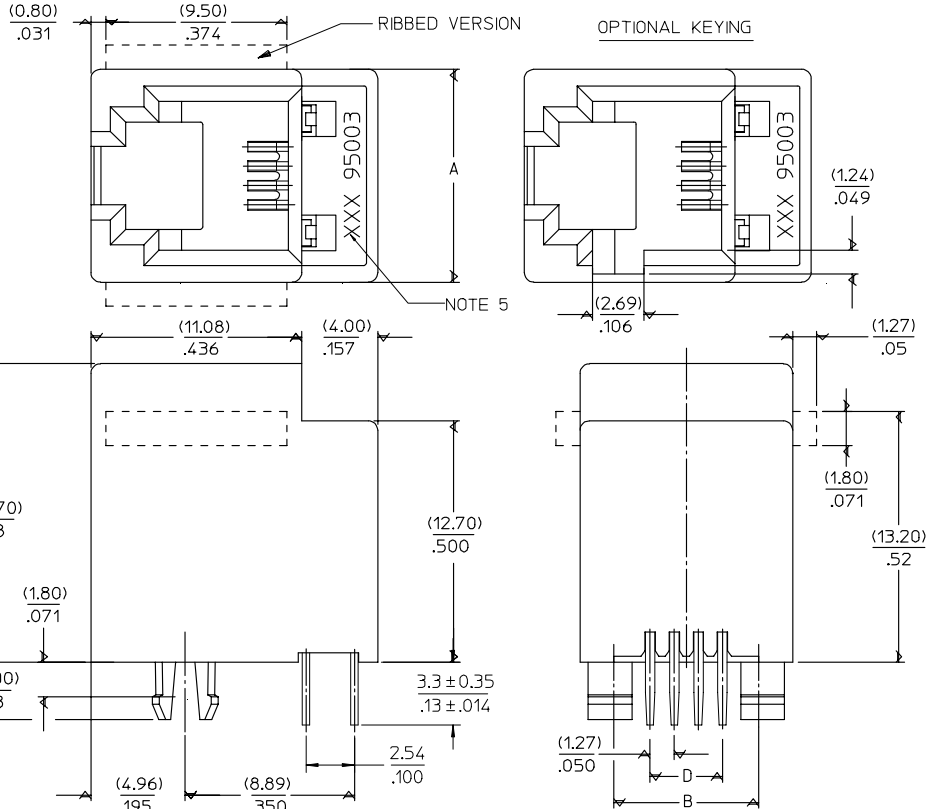
NOTES :

- 1- MATERIAL:
 - HOUSING: LCP FIBER GLASS FILLED UL 94-V0
 - COLOR BLACK.
 - TERMINAL: TIN BRASS.
- PLATING 2:
 - POST PLATE (0.00127-0.00152)/.000050-.000060 GOLD IN CONTACT AREA. (0.00190)/.000075 MIN. PURE TIN IN TAIL AREA BOTH OVER (0.00127)/.000050 MIN. NICKEL OVERALL.
- PLATING 7: ONLY ON REQUEST
 - POST PLATE 0.00005/0.00002 MIN GOLD OVER 0.000763 .000030 MIN PALLADIUM NICKEL IN CONTACT AREA. 0.00190/0.00075 MIN PURE TIN IN TAIL AREA, BOTH OVER 0.00127/.000050 MIN NICKEL OVERALL:
- 2- JACK FOR MATING WITH F.C.C. 68 PLUGS 90075 MOLEX SERIES.
- 3- PRODUCT SPECIFICATION PS-95503-001
- 4- PACKAGING SPECIFICATION PK-95003:
 - STANDARD PACKAGING SHEET 1.
 - TUBE PACKAGING FOR SMT VERSION SHEET 2.
 - TUBE PACKAGING FOR THROUGH HOLE VERSION SHEET 3.
- 5- MANUFACTURING I.D. CAN BE MXF, MG OR MXL

TYPE	POS. 4		POS. 6		POS. 8
	4 CKTS.	4 CKTS.	6 CKTS.	6 CKTS.	8 CKTS.
A	(11.18) / .440	(13.21) / .520	(13.21) / .520	(15.24) / .600	
B	(7.62) / .300	(10.16) / .400	(10.16) / .400	(11.43) / .450	
D	(3.81) / .150	(3.81) / .150	(6.35) / .250	(8.89) / .350	



SHORT VERSION



ADDED TABLE EC NO: E2008-0267 DRAWN BY: DRW:BJBYRNES CHKD: CHIKO APPR: EDMAHONY DATE: 2007/11/28 DATE: 2007/11/28	QUALITY SYMBOLS	GENERAL TOLERANCES (UNLESS SPECIFIED)	DIMENSION STYLE	SCALE	DESIGN UNITS	THIRD ANGLE PROJECTION															
	$\nabla=0$ $\nabla=0$	<table border="1"> <tr><th>PLACES</th><th>MM</th><th>INCH</th></tr> <tr><td>4 PLACES</td><td>± ---</td><td>± ---</td></tr> <tr><td>3 PLACES</td><td>± ---</td><td>± .006</td></tr> <tr><td>2 PLACES</td><td>± 0.15</td><td>± .010</td></tr> <tr><td>1 PLACE</td><td>± 0.25</td><td>± ---</td></tr> </table> ANGULAR ± .5°	PLACES	MM	INCH	4 PLACES	± ---	± ---	3 PLACES	± ---	± .006	2 PLACES	± 0.15	± .010	1 PLACE	± 0.25	± ---	MM/IN	5:1	METRIC	
	PLACES	MM	INCH																		
4 PLACES	± ---	± ---																			
3 PLACES	± ---	± .006																			
2 PLACES	± 0.15	± .010																			
1 PLACE	± 0.25	± ---																			
DRAFT WHERE APPLICABLE MUST REMAIN WITHIN DIMENSIONS	DRAWN BY: T MARTIN DATE: 2005/06/15 CHECKED BY: F CARABETTA DATE: 2005/06/15 APPROVED BY: KNOLLER DATE: 2005/06/15	MATERIAL NO.: SEE SHT 4,5 SIZE: A3	TITLE: LOW PROFILE TOP ENTRY JACK (THROUGH HOLE VERSION) MOLEX INCORPORATED	DOCUMENT NO.: SD-95503-003	SHEET NO.: 1 OF 5	THIS DRAWING CONTAINS INFORMATION THAT IS PROPRIETARY TO MOLEX INCORPORATED AND SHOULD NOT BE USED WITHOUT WRITTEN PERMISSION															

F
E
D
C
B
A

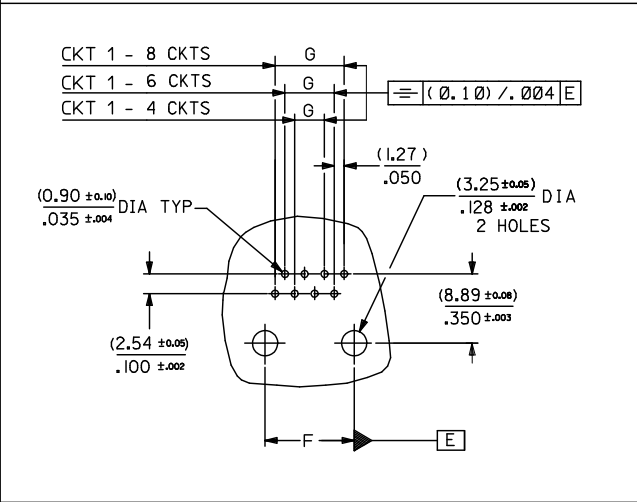
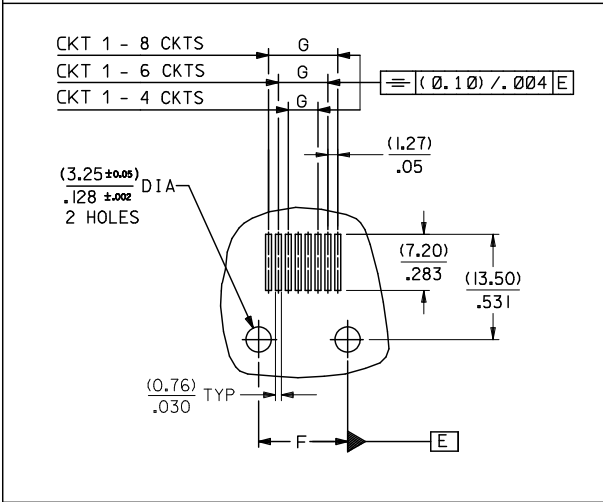
10 9 8 7 6 5 4 3 2 1

TYPE DIM.	POS. 4	POS. 6		POS. 8
	4 CKTS.	4 CKTS.	6 CKTS.	8 CKTS.
F (± 0.05) / $\pm .002$	(7.62) / .300	(10.16) / .400	(10.16) / .400	(11.43) / .450
G (± 0.05) / $\pm .002$	(3.81) / .150	(3.81) / .150	(6.35) / .250	(8.89) / .350

P.C.B MOUNTING PATTERNS - SEEN FROM COMPONENT SIDE

FOR SMT JACK (SURFACE MOUNT)

FOR STANDARD JACK (THROUGH HOLE)



ADDED FOR EC NO: E2010-0075 DRWN: DRYNES CHYD: APPR: WALLACE 2009/08/13 2009/08/19 2009/08/19	QUALITY SYMBOLS	GENERAL TOLERANCES (UNLESS SPECIFIED)	DIMENSION STYLE	SCALE	DESIGN UNITS	THIRD ANGLE PROJECTION															
	$\nabla = 0$ $\nabla = 0$	<table border="1"> <tr> <th></th> <th>mm</th> <th>INCH</th> </tr> <tr> <td>4 PLACES</td> <td>$\pm .006$</td> <td>$\pm .0006$</td> </tr> <tr> <td>3 PLACES</td> <td>$\pm .015$</td> <td>$\pm .0015$</td> </tr> <tr> <td>2 PLACES</td> <td>± 0.25</td> <td>$\pm .010$</td> </tr> <tr> <td>1 PLACE</td> <td>± 0.25</td> <td>$\pm .010$</td> </tr> </table>		mm	INCH	4 PLACES	$\pm .006$	$\pm .0006$	3 PLACES	$\pm .015$	$\pm .0015$	2 PLACES	± 0.25	$\pm .010$	1 PLACE	± 0.25	$\pm .010$	MM/IN	1:1	METRIC	
		mm	INCH																		
	4 PLACES	$\pm .006$	$\pm .0006$																		
3 PLACES	$\pm .015$	$\pm .0015$																			
2 PLACES	± 0.25	$\pm .010$																			
1 PLACE	± 0.25	$\pm .010$																			
DRAFT WHERE APPLICABLE MUST REMAIN WITHIN DIMENSIONS	DRAWN BY: TMARTIN CHECKED BY: FCARABETTA APPROVED BY: KNOLLER DATE: 2005/06/15 DATE: 2005/06/15 DATE: 2005/06/15	TITLE			LOW PROFILE T/E JACK																
MATERIAL NO. SEE SHT. 4, 5	DOCUMENT NO. SD-95503-003	SHEET NO. 3 OF 5	MOLEX INCORPORATED																		

10 9 8 7 6 5 4 3 2 1

TRAY PACKAGING, SEE PACKAGING SPEC PK95003 SHEET 1

HOUSING SIZE	LOADED CONTACTS	PLATING	PART NO FOR JACK ASSEMBLY THROUGH HOLE STANDARD VERSION				PART NO FOR JACK ASSEMBLY THROUGH HOLE SHORT VERSION												
			LCP FIBER GLASS FILLED 94V0 COLOR BLACK				LCP FIBER GLASS FILLED 94V0 COLOR BLACK												
			NO KEY	TOOLED	KEY	TOOLED	NO KEY	TOOLED	KEY	TOOLED									
			NO RIB	TOOLED	NO RIB	TOOLED	NO RIB	TOOLED	NO RIB	TOOLED									
4	4	2	95503-2441	X															
6	4	2	95503-2641	X															
6	6	2	95503-2661	X															
8	8	2	95503-2881	X	95503-2882	X			95503-2884	X									

TOOLED	X
NOT TOOLED	

CORRECTED PART #s EC NO: E2007-0482 DRAWN BY: RINES CHKD: CHIKO APPR: EDMAHONY	2007/01/08 2007/01/08 2007/01/08	QUALITY SYMBOLS ▽=0 ▽=0	GENERAL TOLERANCES (UNLESS SPECIFIED) 4 PLACES ± --- ± --- 3 PLACES ± --- ± --- 2 PLACES ± --- ± --- 1 PLACE ± --- ± --- ANGULAR ± ---°	DIMENSION STYLE MM/IN DRAWN BY: TMARTIN DATE: 2005/06/16 CHECKED BY: FCARABETTA DATE: 2005/06/16 APPROVED BY: KNOLLER DATE: 2005/06/16	SCALE: --- DESIGN UNITS: METRIC THIRD ANGLE PROJECTION	TITLE: LOW PROFILE T/E JACK THROUGH HOLE VERS. MOLEX INCORPORATED				
							DRAFT WHERE APPLICABLE MUST REMAIN WITHIN DIMENSIONS	MATERIAL NO. SEE CHART	DOCUMENT NO. SD-95503-003	SHEET NO. 4 OF 5
							THIS DRAWING CONTAINS INFORMATION THAT IS PROPRIETARY TO MOLEX INCORPORATED AND SHOULD NOT BE USED WITHOUT WRITTEN PERMISSION			

9 8 7 6 5 4 3 2 1