

10 9 8 7 6 5 4 3 2 1

NOTES :

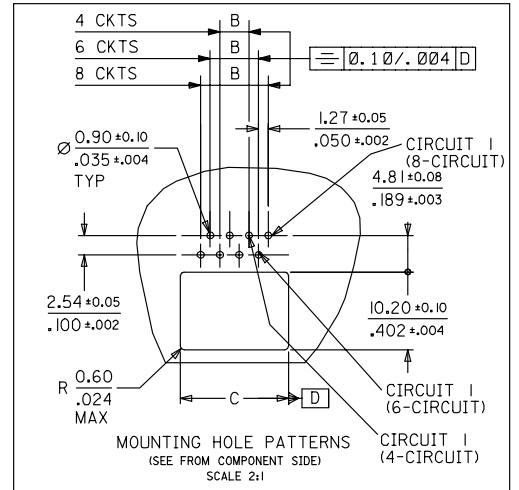
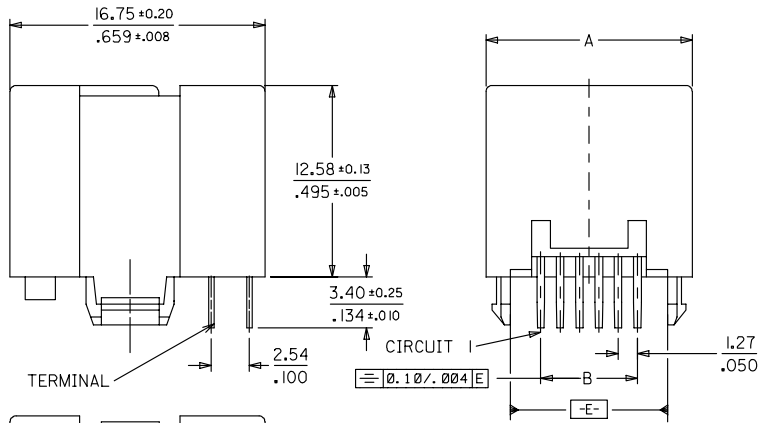
1- MATERIAL:

- HOUSING: L C P FIBER GLASS FILLED
UL 94-V0 COLOR BLACK.
- MODULE : L C P FIBER GLASS FILLED
UL 94-V0 COLOR BLACK.
- TERMINAL: PHOSPHOR BRONZE .

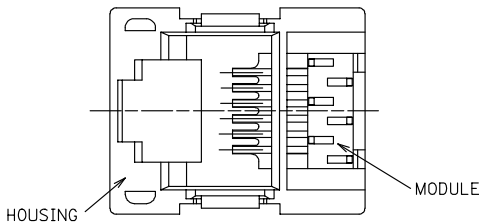
PLATING:

POST PLATE 0.00127-0.00152/.000050-.000060 GOLD
IN CONTACT AREA.
0.00190/.000075 MIN PURE TIN IN TAIL AREA
BOTH OVER 0.00127/.000050 MIN NICKEL OVERALL.

- 2- JACK FOR MATING WITH FCC 68 PLUGS
90075 MOLEX SERIES.
- 3- PCB THICKNESS : 1.57 / .062
- 4- PRODUCT SPECIFICATION PS-95502-001
- 5- PACKAGING SPECIFICATION PK-95002



P/N	HOUSING SIZE	CKTS.	DIM.		
			A ± 0.13	B $\begin{matrix} +0.05 \\ -0.10 \\ +0.02 \\ -0.04 \end{matrix}$	C ± 0.08 ± 0.03
95502-2443	POS 4	4 CKTS	11.50	3.81	10.20
			.453	.150	.402
95502-2643	POS 6	4 CKTS	13.55	3.81	12.20
			.533	.150	.480
95502-2663	POS 6	6 CKTS	13.55	6.35	12.20
			.533	.250	.480
95502-2883	POS 8	8 CKTS	15.55	8.89	14.20
			.612	.350	.559



MODIFIED MATL: EC NO: E2007-0611 DRAWN BY: DRW:BJR/BNES CHKD: CHK:J... APPR: ED/MAHONY 2007/01/22 2007/01/22 2007/01/25	QUALITY SYMBOLS ▽=0 ▽=0	GENERAL TOLERANCES (UNLESS SPECIFIED)		DIMENSION STYLE MM/IN	SCALE 4:1	DESIGN UNITS METRIC	THIRD ANGLE PROJECTION
		4 PLACES ± --- ± --- 3 PLACES ± --- ± .006 2 PLACES ± 0.15 ± .010 1 PLACE ± 0.25 ± --- ANGULAR ± .5 °	DRAWN BY T.MARTIN DATE 2005/05/31	CHECKED BY F.CARABETTA DATE 2005/05/31	APPROVED BY KNOLLER DATE 2005/05/31	TITLE BOTTOM ENTRY LOW PROFILE MODULAR JACK (THROUGH HOLE VERSION)	MATERIAL NO. SEE CHART
DRAFT WHERE APPLICABLE MUST REMAIN WITHIN DIMENSIONS		THIS DRAWING CONTAINS INFORMATION THAT IS PROPRIETARY TO MOLEX INCORPORATED AND SHOULD NOT BE USED WITHOUT WRITTEN PERMISSION					

9 8 7 6 5 4 3 2 1