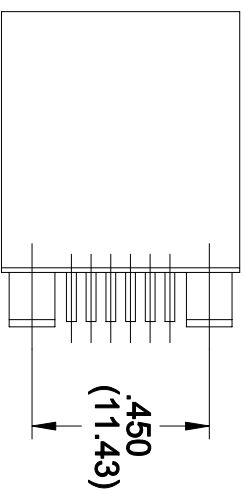
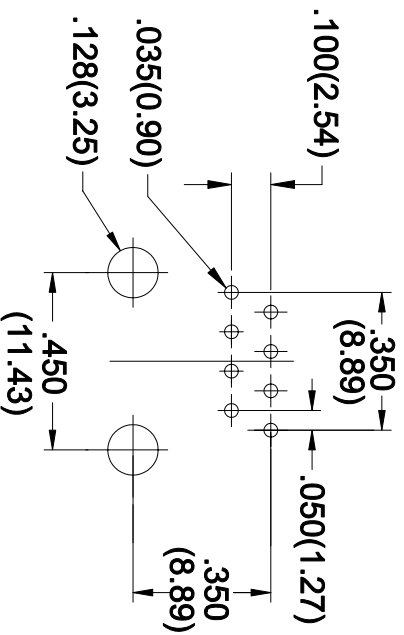
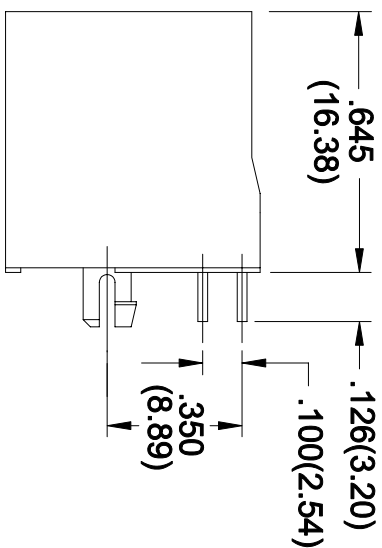
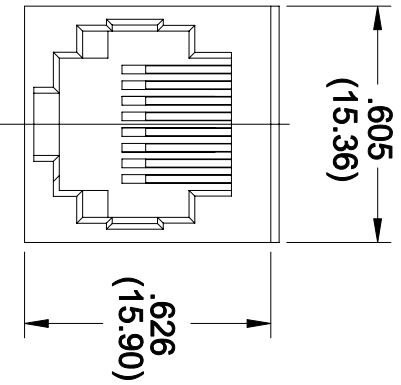
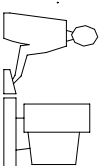


THIS IS A C.A.D. GENERATED DRAWING  
DO NOT MAKE MANUAL REVISIONS TO MASTER.



**NOTES**

**MATERIAL:**

**HOUSING: PBT POLYESTER, UL94V-0 RATED  
COLOR BLACK**

**CONTACTS: PHOSPHOR BRONZE  
30 MICROINCHES OF GOLD OVER NICKEL ON CONTACT AREA  
TIN PLATING ON TAILS**

**MODULAR JACK TOP ENTRY PCB  
8 POSITIONS**

ACAD REFERENCE NO. A00-108-680-450

DRAWN: F.BRIONES DATE: JAN. 20/04

CHECKED: DATE:

PART NUMBER A00-108-620-450

DRAWING NUMBER ISSUE

A00-108-620-450



EDAC INC  
TORONTO, ONTARIO  
CANADA

THESE DRAWINGS AND SPECIFICATIONS  
ARE THE PROPERTY OF EDAC INC. AND  
SHALL NOT BE REPRODUCED OR COPIED  
OR USED AS THE BASIS FOR THE  
MANUFACTURE OR SALE OF APPARATUS  
WITHOUT WRITTEN PERMISSION.

YOUR CONNECTION TO QUALITY & SERVICE