

NOTES :

- 1- MATERIAL:
 - HOUSING: LCP GLASS FILLED UL 94V-0. COLOUR BLACK.
 - TERMINAL: PHOSPHOR BRONZE .
 - PLATING 2:
 - POST PLATE (0.00127)/.000050 MIN GOLD IN CONTACT AREA (0.00190)/.000075 MIN PURE TIN IN TAIL AREA BOTH OVER (0.00127)/.000050 MIN NICKEL OVERALL.
- 2- JACK FOR MATING WITH F.C.C. 68 PLUGS 90075 MOLEX SERIES.
- 3- PRODUCT SPECIFICATION PS-9550I.
- 4- PACKAGING SPECIFICATION PK-9500I: STANDARD PACKAGING SHEET 1. SPECIAL PACKAGING SHEET 2. TUBE PACKAGING SHEET 3.
- 5- MANUFACTURING I.D. CAN BE EITHER MXF, MG OR MXI.
- 6- RECOMMENDED PCB THICKNESS: 1.6mm

OPTIONAL KEYING

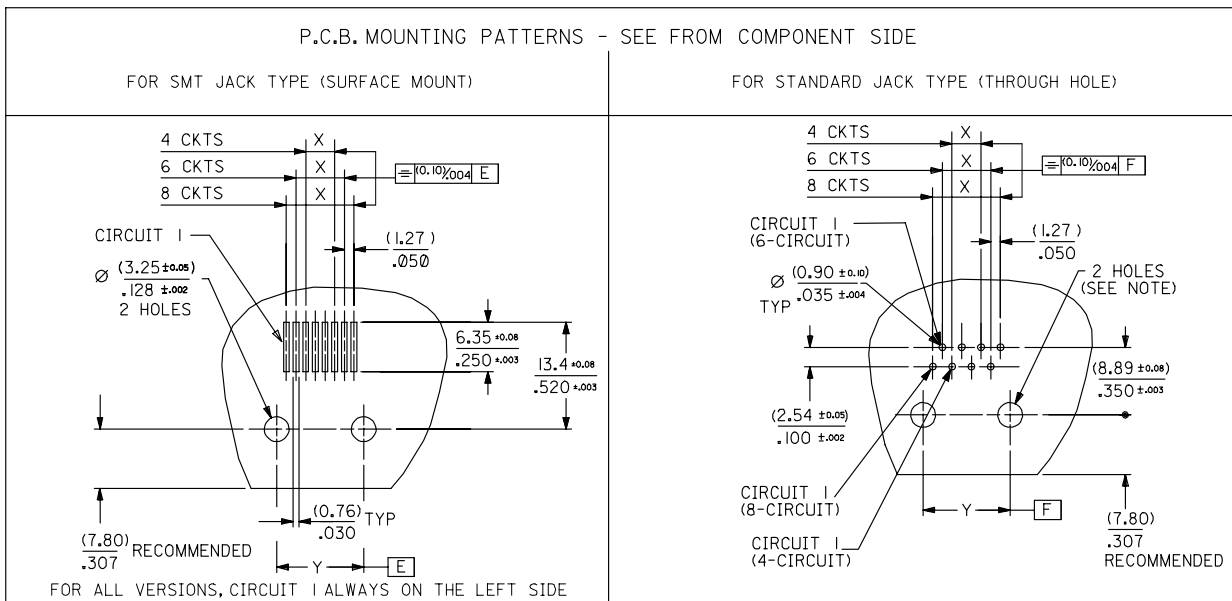
CIRCUIT 1 (4 CKTS VERSION)

DIM.	TYPE		POS. 4		POS. 6		POS. 8	
	4 CKTS.	8 CKTS.	4 CKTS.	8 CKTS.	6 CKTS.	8 CKTS.	6 CKTS.	8 CKTS.
A	(11.18) / .440	(13.21) / .520	(13.21) / .520	(15.24) / .600	(13.21) / .520	(15.24) / .600	(13.21) / .520	(15.24) / .600
C	(7.62) / .300	(10.16) / .400	(10.16) / .400	(11.43) / .450	(10.16) / .400	(11.43) / .450	(10.16) / .400	(11.43) / .450
B	(3.81) / .150	(3.81) / .150	(3.81) / .150	(6.35) / .250	(3.81) / .150	(6.35) / .250	(3.81) / .150	(6.35) / .250

MODIFIED NOTES: EC NO: E2008-0176 DRAWN BY: DBYRNES 2007/10/05 CHECKED: CHIKO 2007/10/05 APPR: EOMAHONY 2007/10/05	QUALITY SYMBOLS ▽=0 ▽=0	GENERAL TOLERANCES (UNLESS SPECIFIED)		DIMENSION STYLE MM/IN		SCALE 4:1	DESIGN UNITS METRIC	THIRD ANGLE PROJECTION		
		4 PLACES ± .15 ± .010	3 PLACES ± .15 ± .010	2 PLACES ± 0.25 ± .010	1 PLACE ± 0.25 ± .010	DRAWN BY DBYRNES 2006/08/02	DATE 2006/08/02	TITLE R/A LOW PROFILE PC JACK 4,6,8 CKTS SIZE THROUGH HOLE VERSION		
		ANGULAR ± .010				CHECKED BY EOMAHONY 2006/08/12	DATE 2006/08/12	MOLEX MOLEX INCORPORATED		
		DRAFT WHERE APPLICABLE MUST REMAIN WITHIN DIMENSIONS				APPROVED BY EOMAHONY 2006/08/12	DATE 2006/08/12	MATERIAL NO. SD-95501-001	DOCUMENT NO. SD-95501-001	SHEET NO. 1 OF 5

10 9 8 7 6 5 4 3 2 1

TYPE DIM.	POS. 4	POS. 6		POS. 8
	4 CKTS.	4 CKTS.	6 CKTS.	8 CKTS.
Y $(\pm 0.05) / \pm .002$	(7.62) / .300	(10.16) / .400	(10.16) / .400	(11.43) / .450
X $(\pm 0.05) / \pm .002$	(3.81) / .150	(3.81) / .150	(6.35) / .250	(8.89) / .350



NOTE:
 FOR CONVECTION SOLDERING: DIA 3.25±0.05 / .128±.002
 FOR WAVE SOLDERING: DIA 3.20±0.10 / .126±.004

MODIFIED TABLE EC NO: E2008-0176 DRAWN: DBYRNES 2007/10/05 CHECK: CHIKO 2007/10/05 APPR: EOMAHONY 2007/10/05 REV B	QUALITY SYMBOLS ▽=0 ▽=0	GENERAL TOLERANCES (UNLESS SPECIFIED) <table border="1"> <tr> <th></th> <th>mm</th> <th>INCH</th> </tr> <tr> <td>4 PLACES</td> <td>± .15</td> <td>± .006</td> </tr> <tr> <td>3 PLACES</td> <td>± .15</td> <td>± .010</td> </tr> <tr> <td>2 PLACES</td> <td>± 0.25</td> <td>± .010</td> </tr> <tr> <td>1 PLACE</td> <td>± 0.25</td> <td>± .010</td> </tr> <tr> <td colspan="3" style="text-align: center;">ANGULAR ± .5°</td> </tr> </table>		mm	INCH	4 PLACES	± .15	± .006	3 PLACES	± .15	± .010	2 PLACES	± 0.25	± .010	1 PLACE	± 0.25	± .010	ANGULAR ± .5°			DIMENSION STYLE MM/IN DRAWN BY DBYRNES DATE 2006/08/02 CHECKED BY EOMAHONY DATE 2006/08/12 APPROVED BY EOMAHONY DATE 2006/08/12	SCALE 2:1 DESIGN UNITS METRIC THIRD ANGLE PROJECTION	TITLE R/A LOW PROFILE JACK PC JACK 4.6.8 CKT SIZE SMT AND STANDARD VERSION MOLEX MOLEX INCORPORATED
		mm	INCH																				
4 PLACES	± .15	± .006																					
3 PLACES	± .15	± .010																					
2 PLACES	± 0.25	± .010																					
1 PLACE	± 0.25	± .010																					
ANGULAR ± .5°																							
DRAFT WHERE APPLICABLE MUST REMAIN WITHIN DIMENSIONS		MATERIAL NO. SD-95501-001 SEE CHART SHEETS 4,5&6 SIZE A3		DOCUMENT NO. SD-95501-001 SHEET NO. 3 OF 5	THIS DRAWING CONTAINS INFORMATION THAT IS PROPRIETARY TO MOLEX INCORPORATED AND SHOULD NOT BE USED WITHOUT WRITTEN PERMISSION																		

9 8 7 6 5 4 3 2 1

10 9 8 7 6 5 4 3 2 1

STANDARD PACKAGING OPEN TRAY ,SEE PACKAGING SPEC PK95001 SHEET 1

PART NO FOR JACK ASSEMBLY

THROUGH HOLE VERSION

HOUSING SIZE	LOADED CONTACTS	PLATING	LCP GLASS FILED 94V0,COLOR BLACK.							
			NO KEY		KEY		TOOLED	TOOLED	TOOLED	
			NOT RIBBED	TOOLED	NOT RIBBED	TOOLED				
4	4	2	9550I-244I	X						
6	4	2	9550I-264I	X						
6	6	2	9550I-266I	X						
8	8	2	9550I-288I	X	9550I-2882	X				

ORIGINAL EC NO: E2007-0117 DRAWN BY DBYRNES 2006/10/11 CHECKED BY CHIKO 2006/10/11 APPR: EOMAHONY 2006/10/12 REV A	QUALITY SYMBOLS ▽=0 ▽=0	GENERAL TOLERANCES (UNLESS SPECIFIED) <table border="1"> <tr> <th></th> <th>mm</th> <th>INCH</th> </tr> <tr> <td>4 PLACES</td> <td>± .005</td> <td>± .0005</td> </tr> <tr> <td>3 PLACES</td> <td>± .005</td> <td>± .0005</td> </tr> <tr> <td>2 PLACES</td> <td>± .005</td> <td>± .0005</td> </tr> <tr> <td>1 PLACE</td> <td>± .005</td> <td>± .0005</td> </tr> <tr> <td>ANGULAR</td> <td>± .005°</td> <td></td> </tr> </table>		mm	INCH	4 PLACES	± .005	± .0005	3 PLACES	± .005	± .0005	2 PLACES	± .005	± .0005	1 PLACE	± .005	± .0005	ANGULAR	± .005°		DIMENSION STYLE MM ONLY	SCALE ---	DESIGN UNITS METRIC	THIRD ANGLE PROJECTION
		mm	INCH																					
	4 PLACES	± .005	± .0005																					
	3 PLACES	± .005	± .0005																					
2 PLACES	± .005	± .0005																						
1 PLACE	± .005	± .0005																						
ANGULAR	± .005°																							
		DRAWN BY DATE DBYRNES 2006/08/02	CHECKED BY DATE EOMAHONY 2006/08/12	TITLE LOW PROFILE R/A JACK STANDARD T/HOLE VERSION STANDARD OPEN TRAY VERS																				
		APPROVED BY DATE EOMAHONY 2006/08/12	MATERIAL NO. SEE CHART			DOCUMENT NO. SD-95501-001	SHEET NO. 4 OF 5																	
		DRAFT WHERE APPLICABLE MUST REMAIN WITHIN DIMENSIONS	THIS DRAWING CONTAINS INFORMATION THAT IS PROPRIETARY TO MOLEX INCORPORATED AND SHOULD NOT BE USED WITHOUT WRITTEN PERMISSION																					

9 8 7 6 5 4 3 2 1