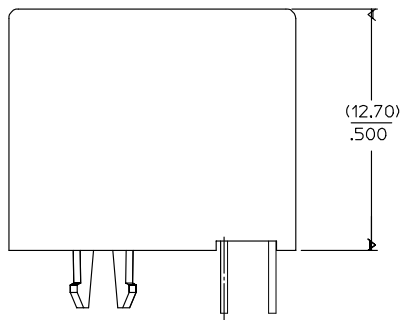


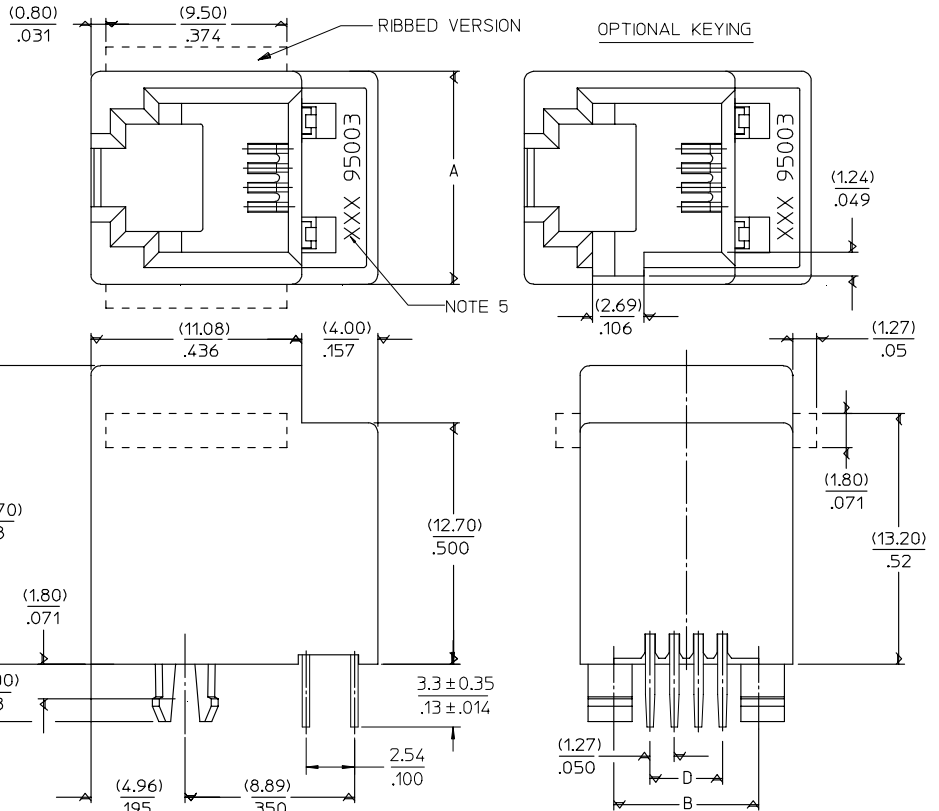
**NOTES :**

- 1- MATERIAL:  
 -HOUSING: LCP FIBER GLASS FILLED UL 94-V0  
 COLOR BLACK.  
 -TERMINAL: TIN BRASS.  
 PLATING 2:  
 POST PLATE (0.00127-0.00152)/.000050-.000060 GOLD IN CONTACT AREA. (0.00190)/.000075 MIN. PURE TIN IN TAIL AREA BOTH OVER (0.00127)/.000050 MIN. NICKEL OVERALL.  
 PLATING 7: ONLY ON REQUEST  
 POST PLATE 0.00005/0.00002 MIN GOLD OVER 0.000763 .000030 MIN PALLADIUM NICKEL IN CONTACT AREA. 0.00190/0.00075 MIN PURE TIN IN TAIL AREA, BOTH OVER 0.00127/.000050 MIN NICKEL OVERALL:  
 2- JACK FOR MATING WITH F.C.C. 68 PLUGS 90075 MOLEX SERIES.  
 3- PRODUCT SPECIFICATION PS-95503-001  
 4- PACKAGING SPECIFICATION PK-95003:  
 - STANDARD PACKAGING SHEET 1.  
 - TUBE PACKAGING FOR SMT VERSION SHEET 2.  
 - TUBE PACKAGING FOR THROUGH HOLE VERSION SHEET 3.  
 5- MANUFACTURING I.D. CAN BE MXF, MG OR MXL

TYPE	POS. 4		POS. 6		POS. 8
	4 CKTS.	4 CKTS.	6 CKTS.	6 CKTS.	8 CKTS.
A	(11.18) / .440	(13.21) / .520	(13.21) / .520	(15.24) / .600	
B	(7.62) / .300	(10.16) / .400	(10.16) / .400	(11.43) / .450	
D	(3.81) / .150	(3.81) / .150	(6.35) / .250	(8.89) / .350	



SHORT VERSION

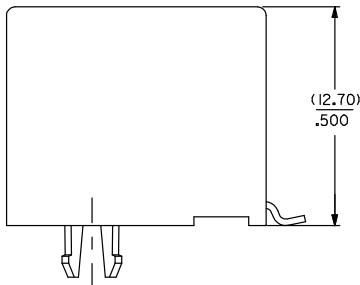


ADDED TABLE EC NO: E2008-0267 DRAWN BY: DRW:BJBYRNES CHKD: CHIKO APPR: EDMAHONY 2007/11/28 2007/11/28 2007/11/28	QUALITY SYMBOLS ▽=0 ▽=0	GENERAL TOLERANCES (UNLESS SPECIFIED) 4 PLACES ± --- ± --- 3 PLACES ± --- ± .006 2 PLACES ± 0.15 ± .010 1 PLACE ± 0.25 ± --- ANGULAR ± .5 °	DIMENSION STYLE MM/IN DRAWN BY: T MARTIN DATE: 2005/06/15 CHECKED BY: F CARABETTA DATE: 2005/06/15 APPROVED BY: KNOLLER DATE: 2005/06/15	SCALE: 5:1 DESIGN UNITS: METRIC THIRD ANGLE PROJECTION	TITLE: LOW PROFILE TOP ENTRY JACK (THROUGH HOLE VERSION) MOLEX INCORPORATED	
	DRAFT WHERE APPLICABLE MUST REMAIN WITHIN DIMENSIONS	MATERIAL NO.: SEE SHT 4,5 SIZE: A3	DOCUMENT NO.: SD-95503-003 SHEET NO.: 1 OF 5	THIS DRAWING CONTAINS INFORMATION THAT IS PROPRIETARY TO MOLEX INCORPORATED AND SHOULD NOT BE USED WITHOUT WRITTEN PERMISSION		

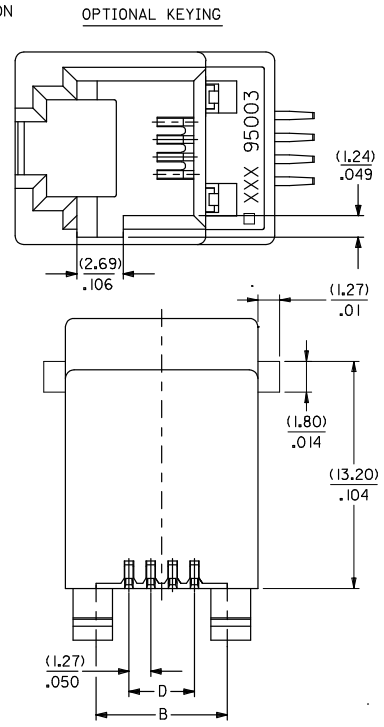
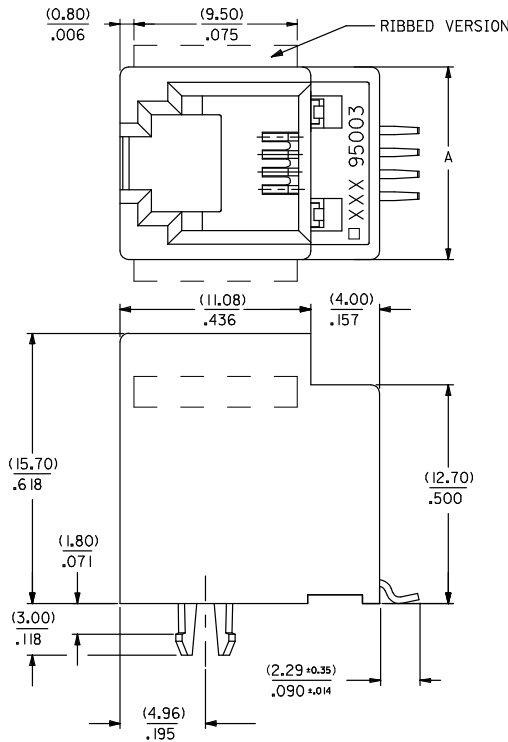
**NOTES :**

**1- MATERIAL:**

- HOUSING: L C P FIBER GLASS FILLED UL 94-V0  
COLOR BLACK
- 2-APPLICATION SPECIFICATION: AS-85513-001 (SMT)
- 3- SEE OTHER NOTES SHEET 1.
- 4- COPLANARITY OF SIGNAL TAILS 0.1mm MAX  
RELEVANT TO EACH OTHER.



SHORT VERSION



DIM.	TYPE	POS. 4		POS. 6		POS. 8	
		4 CKTS.	4 CKTS.	6 CKTS.	8 CKTS.	8 CKTS.	8 CKTS.
A		(11.18) / .440	(13.21) / .520	(13.21) / .520	(15.24) / .600		
B		(7.62) / .300	(10.16) / .400	(10.16) / .400	(11.43) / .450		
D		(3.81) / .150	(3.81) / .150	(6.35) / .250	(8.89) / .350		

ADDED NOTE 4. EC NO: E2008-0585 DRWNBRYMES 2008/04/21 CHKD: 2008/04/22 APPROVED: 2008/04/22	QUALITY SYMBOLS ▽=0 ▽=0	GENERAL TOLERANCES (UNLESS SPECIFIED) mm INCH 4 PLACES ± --- ± --- 3 PLACES ± --- ± .006 2 PLACES ± 0.15 ± .010 1 PLACE ± 0.25 ± --- ANGULAR ± .5 °	DIMENSION STYLE MM/IN DRAWN BY DATE TMARTIN 2005/06/19 CHECKED BY DATE FCARABETTA 2005/06/19 APPROVED BY DATE KNOLLER 2005/06/19	SCALE 5:1 DESIGN UNITS METRIC THIRD ANGLE PROJECTION	TITLE LOW PROFILE T/E JACK (SMT VERSION)	
	DRAFT WHERE APPLICABLE MUST REMAIN WITHIN DIMENSIONS			MATERIAL NO. SEE SHT. 4, 5	DOCUMENT NO. SD-95503-003	SHEET NO. 2 OF 5
	MOLEX INCORPORATED					
	THIS DRAWING CONTAINS INFORMATION THAT IS PROPRIETARY TO MOLEX INCORPORATED AND SHOULD NOT BE USED WITHOUT WRITTEN PERMISSION					

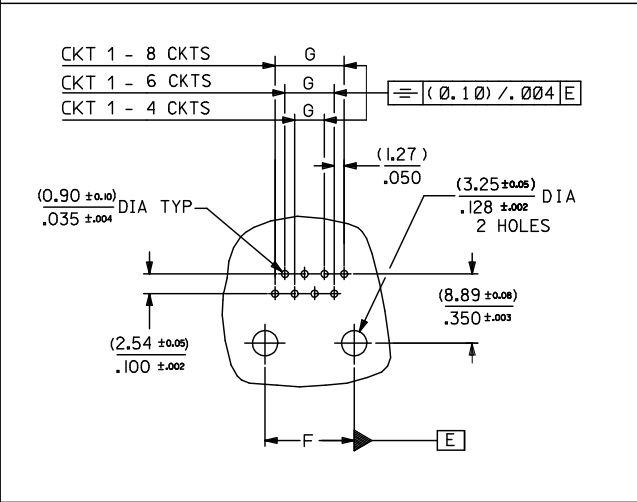
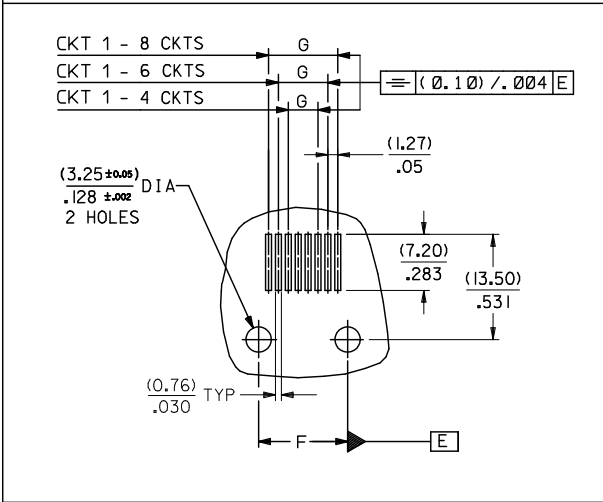
10 9 8 7 6 5 4 3 2 1

TYPE DIM.	POS. 4	POS. 6		POS. 8
	4 CKTS.	4 CKTS.	6 CKTS.	8 CKTS.
F ( $\pm 0.05$ ) / $\pm 0.02$	(7.62) / .300	(10.16) / .400	(10.16) / .400	(11.43) / .450
G ( $\pm 0.05$ ) / $\pm 0.02$	(3.81) / .150	(3.81) / .150	(6.35) / .250	(8.89) / .350

P.C.B MOUNTING PATTERNS - SEEN FROM COMPONENT SIDE

FOR SMT JACK (SURFACE MOUNT)

FOR STANDARD JACK (THROUGH HOLE)



ADDED FOR APPLICATION EC NO: E2010-0075 DRWN: BRYANES 2009/08/13 CHKD: 2009/08/19 APPR: WALLACE 2009/08/19 REV DESCRIPTION	QUALITY SYMBOLS	GENERAL TOLERANCES (UNLESS SPECIFIED)	DIMENSION STYLE	SCALE	DESIGN UNITS	THIRD ANGLE PROJECTION																		
	$\nabla=0$ $\nabla=0$	<table border="1"> <tr> <th></th> <th>mm</th> <th>INCH</th> </tr> <tr> <td>4 PLACES</td> <td>± .006</td> <td>± .0006</td> </tr> <tr> <td>3 PLACES</td> <td>± .015</td> <td>± .0015</td> </tr> <tr> <td>2 PLACES</td> <td>± 0.25</td> <td>± .010</td> </tr> <tr> <td>1 PLACE</td> <td>± 0.25</td> <td>± .010</td> </tr> <tr> <td colspan="3">ANGULAR ± .5 °</td> </tr> </table>		mm	INCH	4 PLACES	± .006	± .0006	3 PLACES	± .015	± .0015	2 PLACES	± 0.25	± .010	1 PLACE	± 0.25	± .010	ANGULAR ± .5 °			MM/IN	1:1	METRIC	
		mm	INCH																					
	4 PLACES	± .006	± .0006																					
3 PLACES	± .015	± .0015																						
2 PLACES	± 0.25	± .010																						
1 PLACE	± 0.25	± .010																						
ANGULAR ± .5 °																								
DRAFT WHERE APPLICABLE MUST REMAIN WITHIN DIMENSIONS	DRAWN BY: TMARTIN CHECKED BY: FCARABETTA APPROVED BY: KNOLLER DATE: 2005/06/15	DATE: 2005/06/15 DATE: 2005/06/15 DATE: 2005/06/15	TITLE			LOW PROFILE T/E JACK																		
			MATERIAL NO.	DOCUMENT NO.		SHEET NO.																		
			SEE SHT. 4, 5	SD-95503-003		3 OF 5																		
			THIS DRAWING CONTAINS INFORMATION THAT IS PROPRIETARY TO MOLEX INCORPORATED AND SHOULD NOT BE USED WITHOUT WRITTEN PERMISSION																					

10 9 8 7 6 5 4 3 2 1

TUBE PACKAGING, SEE PACKAGING SPEC. PK 95003  
SHEET 2

HOUSING SIZE	LOADED CONTACTS	PLATING	PART NO FOR JACK ASSEMBLY S.M.T. STANDARD VERSION							
			LCP FIBER GLASS FILLED 94V0, COLOR BLACK.							
			NO KEY	KEY	NO KEY	NO KEY	TOOLED	TOOLED	TOOLED	
			NO RIB	NO RIB	RIB					
4	4	2	95503-6451	X						
6	4	2	95503-6651	X						
6	6	2	95503-6671	X						
8	8	2	95503-6891	X		95503-6887	X			
		2								

PART NO FOR JACK ASSEMBLY S.M.T. SHORT VERSION							
LCP FIBER GLASS FILLED 94V0, COLOR BLACK.							
NO KEY	KEY	NO KEY	NO KEY	TOOLED	TOOLED	TOOLED	TOOLED
NO RIB	NO RIB	RIB					
95503-6894	X						

TOOLED	<input checked="" type="checkbox"/>
NOT TOOLED	<input type="checkbox"/>

REMOVED PART #'s EC NO: E2007-1039 DRAWN BY: DRW:JBYRNS CHKD: CHK:JBYRNS APPR: EDMAHONY	QUALITY SYMBOLS	GENERAL TOLERANCES (UNLESS SPECIFIED) 4 PLACES ± --- + --- 3 PLACES ± --- + --- 2 PLACES ± --- + --- 1 PLACE ± --- + --- ANGULAR ± ---°	DIMENSION STYLE MM/IN	SCALE ---	DESIGN UNITS METRIC	THIRD ANGLE PROJECTION
	▼=0 ▽=0		DRAWN BY TMARTIN	DATE 2005/06/16	TITLE LOW PROFILE T/E JACK SMT VERSION	
			CHECKED BY FCARABETTA	DATE 2005/06/16	MOLEX INCORPORATED MATERIAL NO. _____ DOCUMENT NO. SD-95503-003	
			APPROVED BY KNOLLER	DATE 2005/06/16		SHEET NO. 5 OF 5
	DRAFT WHERE APPLICABLE MUST REMAIN WITHIN DIMENSIONS		SEE CHART	THIS DRAWING CONTAINS INFORMATION THAT IS PROPRIETARY TO MOLEX INCORPORATED AND SHOULD NOT BE USED WITHOUT WRITTEN PERMISSION		

ib\_frame\_A3\_P\_ME\_1  
Rev. D 2004/04/02

9 8 7 6 5 4 3 2 1