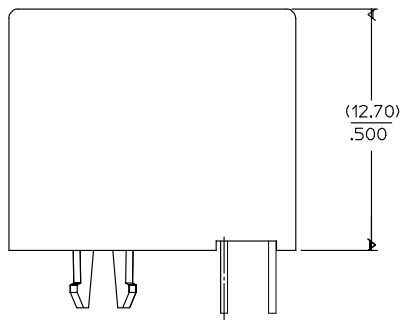


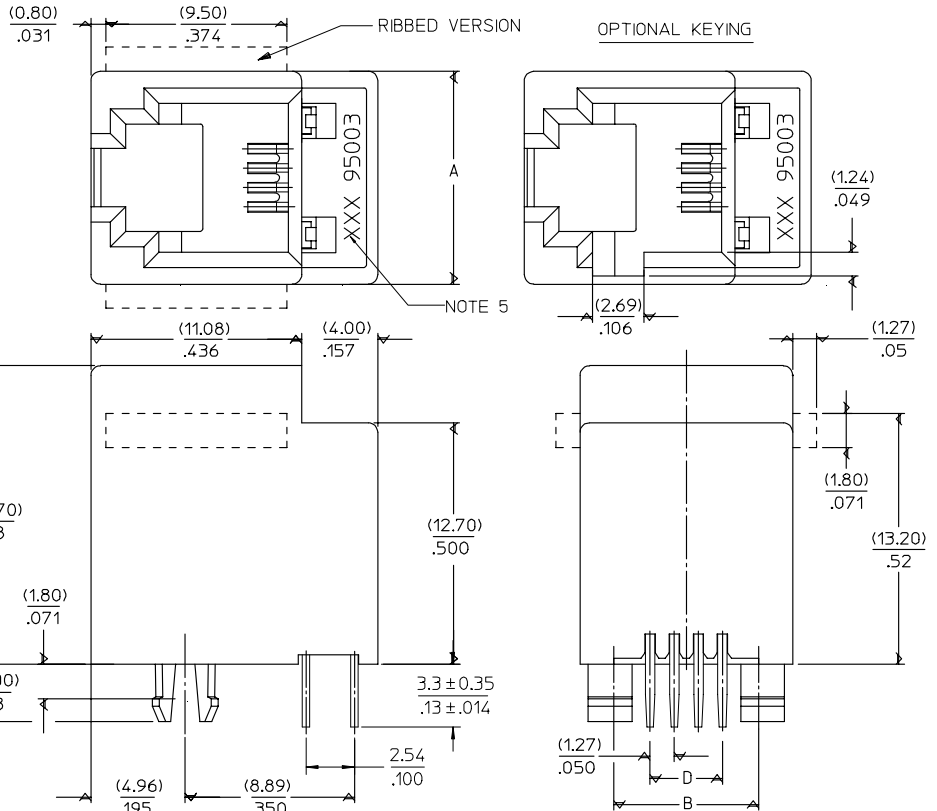
**NOTES :**

- 1- MATERIAL:  
 -HOUSING: LCP FIBER GLASS FILLED UL 94-V0  
 COLOR BLACK.  
 -TERMINAL: TIN BRASS.  
 PLATING 2:  
 POST PLATE (0.00127-0.00152)/.000050-.000060 GOLD IN CONTACT AREA. (0.00190)/.000075 MIN. PURE TIN IN TAIL AREA BOTH OVER (0.00127)/.000050 MIN. NICKEL OVERALL.  
 PLATING 7: ONLY ON REQUEST  
 POST PLATE 0.00005/0.00002 MIN GOLD OVER 0.000763 .000030 MIN PALLADIUM NICKEL IN CONTACT AREA. 0.00190/0.00075 MIN PURE TIN IN TAIL AREA, BOTH OVER 0.00127/.000050 MIN NICKEL OVERALL:  
 2- JACK FOR MATING WITH F.C.C. 68 PLUGS 90075 MOLEX SERIES.  
 3- PRODUCT SPECIFICATION PS-95503-001  
 4- PACKAGING SPECIFICATION PK-95003:  
 - STANDARD PACKAGING SHEET 1.  
 - TUBE PACKAGING FOR SMT VERSION SHEET 2.  
 - TUBE PACKAGING FOR THROUGH HOLE VERSION SHEET 3.  
 5- MANUFACTURING I.D. CAN BE MXF, MG OR MXL

TYPE	POS. 4		POS. 6		POS. 8
	4 CKTS.	4 CKTS.	6 CKTS.	6 CKTS.	8 CKTS.
A	(11.18) / .440	(13.21) / .520	(13.21) / .520	(15.24) / .600	
B	(7.62) / .300	(10.16) / .400	(10.16) / .400	(11.43) / .450	
D	(3.81) / .150	(3.81) / .150	(6.35) / .250	(8.89) / .350	



SHORT VERSION

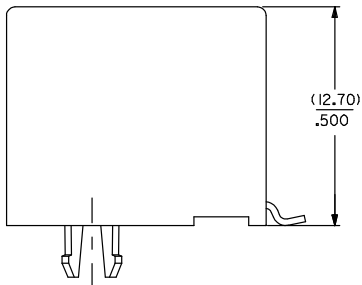


ADDED TABLE EC NO: E2008-0267 DRAWN BY: DRW:BJBYRNES CHKD: CHIKO APPR: EDMAHONY 2007/11/28 2007/11/28 2007/11/28	QUALITY SYMBOLS	GENERAL TOLERANCES (UNLESS SPECIFIED)	DIMENSION STYLE	SCALE	DESIGN UNITS	THIRD ANGLE PROJECTION
	▽=0 ▽=0	mm      INCH 4 PLACES ± --- ± --- 3 PLACES ± --- ± .006 2 PLACES ± 0.15 ± .010 1 PLACE ± 0.25 ± --- ANGULAR ± .5 °	MM/IN	5:1	METRIC	☉      □ THIRD ANGLE PROJECTION
	DRAWN BY: T.MARTIN DATE: 2005/06/15 CHECKED BY: F.CARABETTA DATE: 2005/06/15 APPROVED BY: KNOLLER DATE: 2005/06/15	MATERIAL NO. SEE SHT 4,5	TITLE LOW PROFILE TOP ENTRY JACK (THROUGH HOLE VERSION)	MOLEX INCORPORATED	DOCUMENT NO. SD-95503-003	SHEET NO. 1 OF 5
	DRAFT WHERE APPLICABLE MUST REMAIN WITHIN DIMENSIONS	SIZE A3	THIS DRAWING CONTAINS INFORMATION THAT IS PROPRIETARY TO MOLEX INCORPORATED AND SHOULD NOT BE USED WITHOUT WRITTEN PERMISSION			

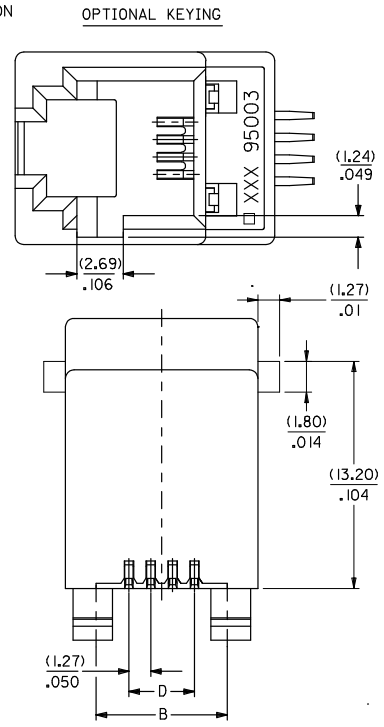
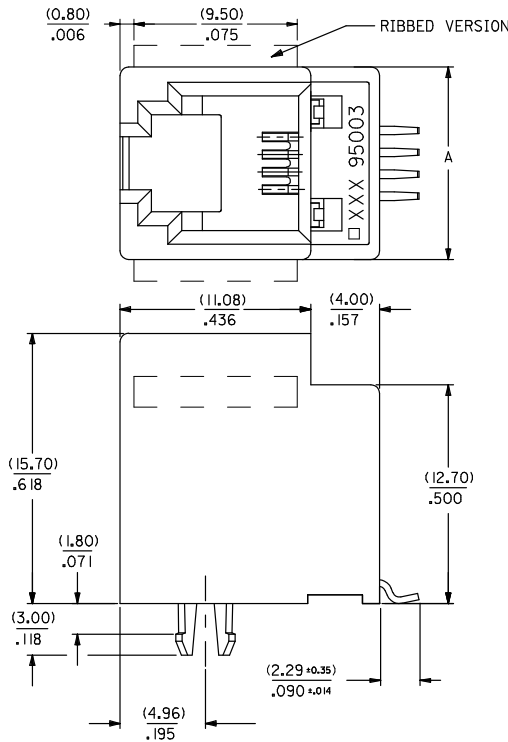
**NOTES :**

**1- MATERIAL:**

- HOUSING: L C P FIBER GLASS FILLED UL 94-V0  
COLOR BLACK
- 2- APPLICATION SPECIFICATION: AS-85513-001 (SMT)
- 3- SEE OTHER NOTES SHEET 1.
- 4- COPLANARITY OF SIGNAL TAILS 0.1mm MAX  
RELEVANT TO EACH OTHER.



SHORT VERSION



DIM.	TYPE	POS. 4		POS. 6		POS. 8	
		4 CKTS.	4 CKTS.	6 CKTS.	8 CKTS.	8 CKTS.	8 CKTS.
A		(11.18) / .440	(13.21) / .520	(13.21) / .520	(15.24) / .600		
B		(7.62) / .300	(10.16) / .400	(10.16) / .400	(11.43) / .450		
D		(3.81) / .150	(3.81) / .150	(6.35) / .250	(8.89) / .350		

ADDED NOTE 4.  
EC NO: E2008-0585  
2008/04/21  
DRW:BY:RMS  
2008/04/22  
CHKD:  
2008/04/22  
APPR:ED:JUNY  
2008/04/22

QUALITY SYMBOLS  
▽=0  
▽=0

GENERAL TOLERANCES (UNLESS SPECIFIED)  
mm INCH  
4 PLACES ± --- ± ---  
3 PLACES ± --- ± .006  
2 PLACES ± 0.15 ± .010  
1 PLACE ± 0.25 ± ---  
ANGULAR ± .5 °  
DRAFT WHERE APPLICABLE  
MUST REMAIN  
WITHIN DIMENSIONS

DIMENSION STYLE  
MM/IN  
DRAWN BY DATE  
TMARTIN 2005/06/19  
CHECKED BY DATE  
FCARABETTA 2005/06/19  
APPROVED BY DATE  
KNOLLER 2005/06/19

SCALE 5:1  
DESIGN UNITS METRIC  
THIRD ANGLE PROJECTION  
TITLE  
LOW PROFILE T/E JACK (SMT VERSION)  
MATERIAL NO.  
MOLEX INCORPORATED  
DOCUMENT NO.  
SD-95503-003  
SHEET NO.  
2 OF 5  
THIS DRAWING CONTAINS INFORMATION THAT IS PROPRIETARY TO MOLEX INCORPORATED AND SHOULD NOT BE USED WITHOUT WRITTEN PERMISSION

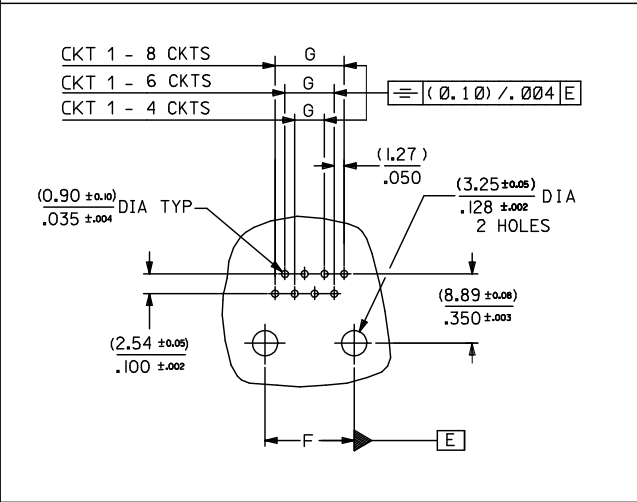
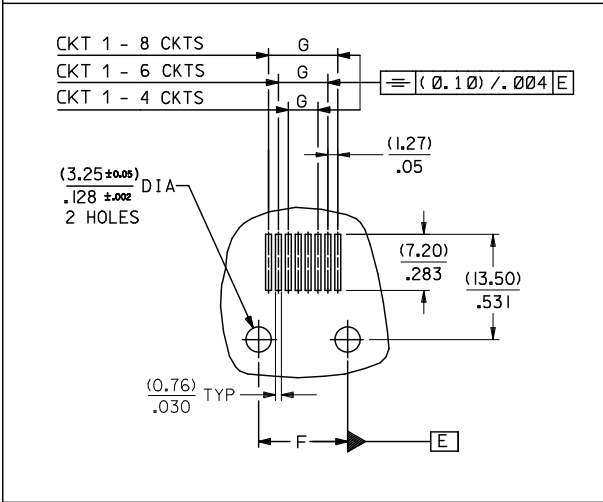
10 9 8 7 6 5 4 3 2 1

TYPE DIM.	POS. 4	POS. 6		POS. 8
	4 CKTS.	4 CKTS.	6 CKTS.	8 CKTS.
F ( $\pm 0.05$ ) / $\pm 0.02$	(7.62) / .300	(10.16) / .400	(10.16) / .400	(11.43) / .450
G ( $\pm 0.05$ ) / $\pm 0.02$	(3.81) / .150	(3.81) / .150	(6.35) / .250	(8.89) / .350

P.C.B MOUNTING PATTERNS - SEEN FROM COMPONENT SIDE

FOR SMT JACK (SURFACE MOUNT)

FOR STANDARD JACK (THROUGH HOLE)



ADDED CKT 1 EC NO: E2010-0075 DRWN: BRYANES 2009/08/13 CHKD: 2009/08/19 APPR: WALLACE 2009/08/19 REV DESCRIPTION	QUALITY SYMBOLS	GENERAL TOLERANCES (UNLESS SPECIFIED) mm INCH 4 PLACES ± --- ± --- 3 PLACES ± --- ± .006 2 PLACES ± 0.15 ± .010 1 PLACE ± 0.25 ± --- ANGULAR ± .5 °	DIMENSION STYLE	SCALE	DESIGN UNITS	THIRD ANGLE PROJECTION	
	▽=0 ▽=0		MM/IN	1:1	METRIC		
				DRAWN BY DATE TMARTIN 2005/06/15 CHECKED BY DATE FCARABETTA 2005/06/15 APPROVED BY DATE KNOLLER 2005/06/15	TITLE		
				MATERIAL NO. SEE SHT. 4, 5 DOCUMENT NO. SD-95503-003 SHEET NO. 3 OF 5		MOLEX INCORPORATED	

