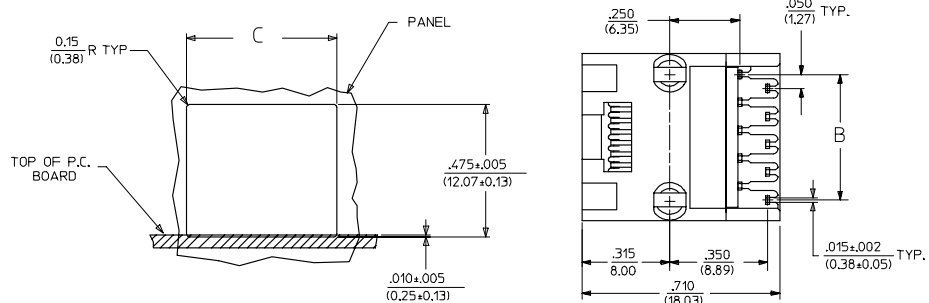
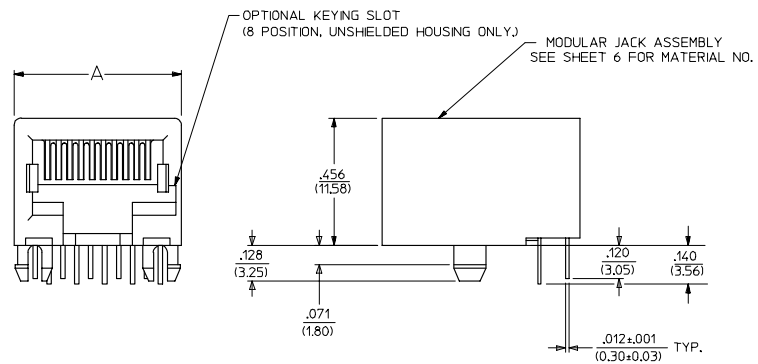


### UNSHIELDED MODULAR JACKS

SIZE 8, LOADED 10 SHOWN



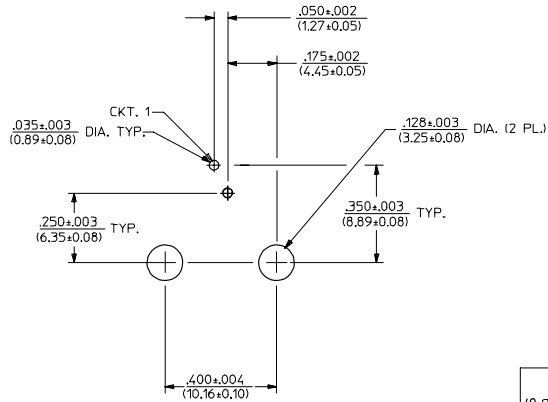
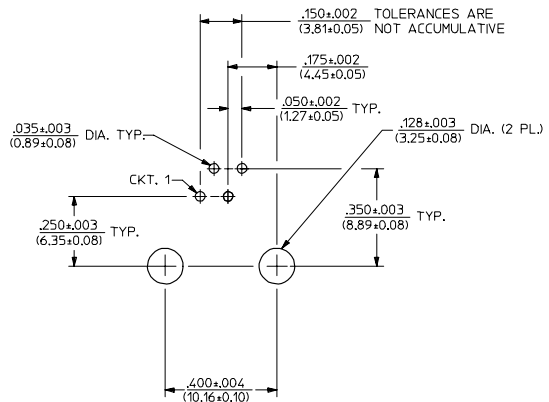
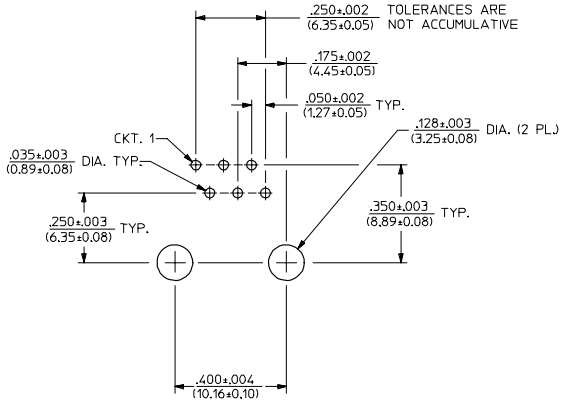
HOUSING SIZE	LOADED CIRCUITS	A	B	C
C	4	.440 (11.18)	.150±.005 (3.81±0.13)	.460±.005 (11.68±0.13)
	2	.440 (11.18)	.050±.005 (1.27±0.13)	.460±.005 (11.68±0.13)
B	6	.520 (13.21)	.250±.005 (6.35±0.13)	.540±.005 (13.72±0.13)
	4	.520 (13.21)	.150±.005 (3.81±0.13)	.540±.005 (13.72±0.13)
A	6	.600 (15.24)	.450±.005 (11.43±0.13)	.620±.005 (15.75±0.13)
	8	.600 (15.24)	.350±.005 (8.89±0.13)	.620±.005 (15.75±0.13)
	8	.600 (15.24)	.250±.005 (6.35±0.13)	.620±.005 (15.75±0.13)
A	8	.600 (15.24)	.150±.005 (3.81±0.13)	.620±.005 (15.75±0.13)
	2	.600 (15.24)	.050±.005 (1.27±0.13)	.620±.005 (15.75±0.13)

SEE SHEET ONE ULP2004-194 DRWN: SCHMIDT 2004/01/02 CHKD: SCHMIDT 2004/01/03 APPR: F SMITH 2004/01/03 KZ	QUALITY SYMBOLS 0 0	GENERAL TOLERANCES (UNLESS SPECIFIED) 4 PLACES ± .005 3 PLACES ± .010 2 PLACES ± .025 1 PLACE ± .036 ANGULAR ± 1/2° DRAFT WHERE APPLICABLE MUST REMAIN WITHIN DIMENSIONS	SCALE 4:1 DESIGN UNITS INCH DIMENSION STYLE IN/MM DRAWN BY JTR DATE 1993/03/31 CHECKED BY JTR DATE 1993/03/31 APPROVED BY RAS DATE 1993/03/31	THIRD ANGLE PROJECTION REVISE ON CAD ONLY TITLE ULTRA LOW PROFILE RIGHT ANGLE MODULAR JACK ASSEMBLY MOLEX INCORPORATED MATERIAL NO. SEE SHT 6 DOCUMENT NO. SDA-43202 SHEET NO. 4 OF 9
	THIS DRAWING CONTAINS INFORMATION THAT IS PROPRIETARY TO MOLEX INCORPORATED AND SHOULD NOT BE USED WITHOUT WRITTEN PERMISSION			
	THIS DRAWING CONTAINS INFORMATION THAT IS PROPRIETARY TO MOLEX INCORPORATED AND SHOULD NOT BE USED WITHOUT WRITTEN PERMISSION			
	THIS DRAWING CONTAINS INFORMATION THAT IS PROPRIETARY TO MOLEX INCORPORATED AND SHOULD NOT BE USED WITHOUT WRITTEN PERMISSION			

SHIELDED MODULAR JACKS W/O BOTTOM GROUND TABS (SHEET 3)								UNSHIELDED MODULAR JACKS- (SHEET 4)							
ASSEMBLY MATERIAL NUMBER	CONNECTOR SIZE	NUMBER OF CIRCUITS	SIDE/TOP PANEL GROUND TAB OPTION	PCB GROUND TAB OPTION	TERMINAL PLATING OPTION	PACKAGING	HOUSING COLOR	ASSEMBLY MATERIAL NUMBER	CONNECTOR SIZE	NUMBER OF CIRCUITS	TERMINAL PLATING OPTION	KEYING OPTION	PACKAGING OPTION	HOUSING COLOR	
43202-8800	8	10	E	FRONT POSITION	A	TRAY	BLACK	43202-4101	4	4	A	NO	TRAY	BLACK	
43202-8801	8	10	F	FRONT POSITION	A	TRAY		43202-4104	4	2	A	NO	TRAY		
43202-8802	8	10	G	FRONT POSITION	A	TRAY		43202-6101	6	6	A	NO	TRAY		
43202-8803	8	10	H	FRONT POSITION	A	TRAY		43202-6102	6	6	B	NO	TRAY		
43202-8808	8	10	E	REAR POSITION	A	TRAY		43202-6104	6	4	A	NO	TRAY		
43202-8809	8	10	F	REAR POSITION	A	TRAY		43202-6105	6	4	B	NO	TRAY		
43202-8810	8	10	G	REAR POSITION	A	TRAY		43202-6107	6	2	A	NO	TRAY		
43202-8811	8	10	H	REAR POSITION	A	TRAY		43202-6110	6	6	B	NO	TUBE		
43202-8816	8	8	E	FRONT POSITION	A	TRAY		43202-8101	8	10	A	NO	TRAY		
43202-8817	8	8	F	FRONT POSITION	A	TRAY		43202-8104	8	8	A	NO	TRAY		
43202-8818	8	8	G	FRONT POSITION	A	TRAY		43202-8105	8	8	B	NO	TRAY		
43202-8819	8	8	H	FRONT POSITION	A	TRAY		43202-8113	8	8	A	YES	TRAY		
43202-8824	8	8	E	REAR POSITION	A	TRAY		43202-8116	8	6	A	NO	TRAY		
43202-8825	8	8	F	REAR POSITION	A	TRAY		43202-8119	8	4	A	NO	TRAY		
43202-8826	8	8	G	REAR POSITION	A	TRAY		43202-8122	8	2	A	NO	TRAY		
43202-8827	8	8	H	REAR POSITION	A	TRAY		43202-8504	8	8	A	NO	TUBE		
									43202-8513	8	8	A	YES		TUBE

<b>OBS COLORED JACKS</b> EC NO: UCP2008-1189 DRAWN: BELL 2007/11/30 CHKD: SCHMIDT 2008/02/20 APPR: SMITH 2008/03/04	QUALITY SYMBOLS	GENERAL TOLERANCES (UNLESS SPECIFIED)	DIMENSION STYLE	SCALE	DESIGN UNITS	THIRD ANGLE PROJECTION	
	$\nabla=0$ $\nabla=0$	mm INCH	IN/MM	4:1	INCH		
		4 PLACES ± --- ± ---	DRAWN BY DATE	JBS 2000/10/03	TITLE		
		3 PLACES ± --- ± .010	CHECKED BY DATE	BW 2000/10/03	ULTRA LOW PROFILE RIGHT ANGLE MODULAR JACK ASSEMBLY		
	2 PLACES ± 0.25 ± .014	APPROVED BY DATE	BW 2000/10/03	MATERIAL NO. DOCUMENT NO.			
	1 PLACE ± 0.36 ± ---			MOLEX INCORPORATED			
	ANGULAR ± 1/2°			SEE CHART SDA-43202			
		DRAFT WHERE APPLICABLE MUST REMAIN WITHIN DIMENSIONS		SHEET NO. 6 OF 9			
				THIS DRAWING CONTAINS INFORMATION THAT IS PROPRIETARY TO MOLEX INCORPORATED AND SHOULD NOT BE USED WITHOUT WRITTEN PERMISSION			

lb\_frame\_C\_P\_ME\_T  
Rev. E 2006/04/15



NOTES:  
1. RECOMMENDED PCB THICKNESS: .062±.005/(1.57±0.13)

ADD PCB THICKNESS EC NO. UCP2005-2739 DRAWN: SCHMIDT 2005/06/20 CHKD: BELHAG 2005/06/22 APPR: F. SMITH 2005/06/23	QUALITY SYMBOLS ▽-0 ▽-0	GENERAL TOLERANCES (UNLESS SPECIFIED)		SCALE 4:1	DESIGN UNITS INCH	THIRD ANGLE PROJECTION	REVISE ON CAD ONLY
		mm	INCH	DIMENSION STYLE IN/MM		TITLE	
DESCRIPTION LZ	4 PLACES ± --- ± ---	DRAWN BY L.E. LENZ		DATE 1995/03/09		ULTRA LOW PROFILE RIGHT ANGLE MODULAR JACK ASSEMBLY	
	3 PLACES ± --- ± .010	CHECKED BY JTR		DATE 1995/03/09		MOLEX INCORPORATED	
	2 PLACES ± 0.25 ± .014	APPROVED BY RAS		DATE 1995/03/09		MATERIAL NO. SEE SHT 6	
	1 PLACE ± 0.36 ± ---	DRAFT WHERE APPLICABLE MUST REMAIN WITHIN DIMENSIONS		DOCUMENT NO. SDA-43202		SHEET NO. 8 OF 9	
ANGULAR ±1/2°		THIS DRAWING CONTAINS INFORMATION THAT IS PROPRIETARY TO MOLEX INCORPORATED AND SHOULD NOT BE USED WITHOUT WRITTEN PERMISSION					