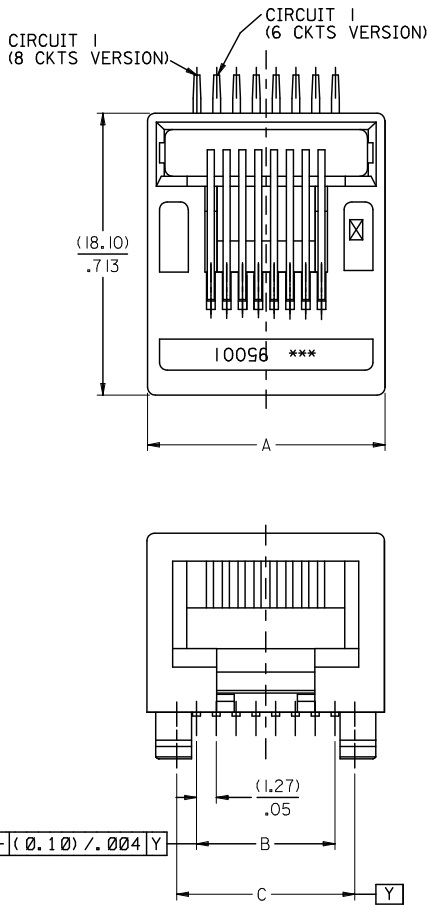


**6 & 8 VERSIONS**

8 VERSION SHOWN

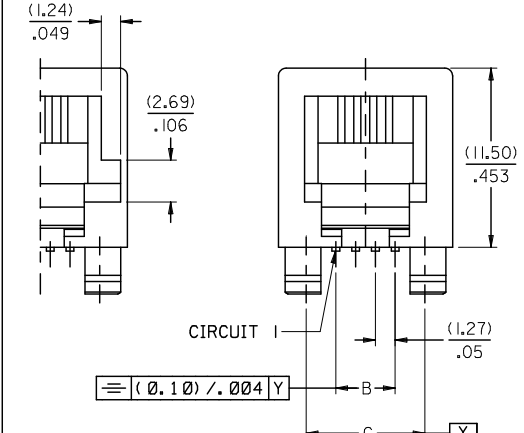


DIM.	TYPE	POS. 4	POS. 6		POS. 8
		4 CKTS.	4 CKTS.	6 CKTS.	8 CKTS.
A		(11.18) / .440	(13.21) / .520	(13.21) / .520	(15.24) / .600
C		(7.62) / .300	(10.16) / .400	(10.16) / .400	(11.43) / .450
B		(3.81) / .150	(3.81) / .150	(6.35) / .250	(8.89) / .350

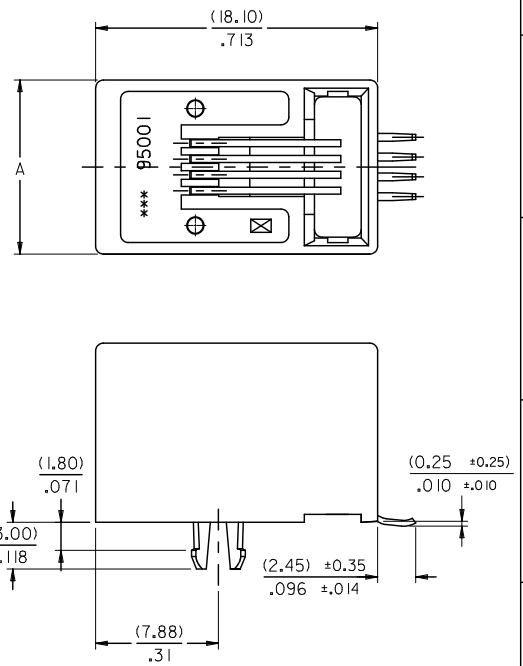
**NOTES :**

- 1- MATERIAL:
- HOUSING: LCP GLASS FILLED UL 94V-0, COLOUR BLACK.
- 2- SEE OTHER NOTES SHEET 1
- 3- COPLANARITY OF SIGNAL TAILS 0.10MM

**OPTIONAL KEYING**



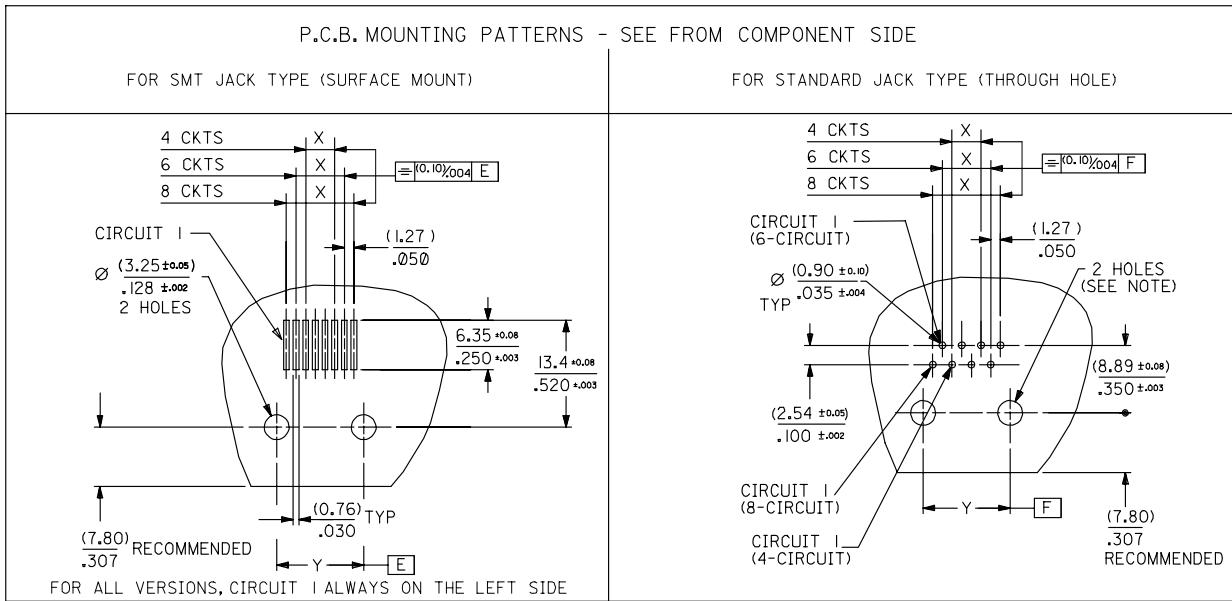
**4 VERSION ONLY**



ADDED NOTE 3. EC NO: E2010-0156 DRAWN: DBYRNES 2010/01/08 CHYK: 2010/01/08 APPR: J WALLACE 2010/01/08	QUALITY SYMBOLS	GENERAL TOLERANCES (UNLESS SPECIFIED)	DIMENSION STYLE	SCALE	DESIGN UNITS	THIRD ANGLE PROJECTION
	$\nabla=0$ $\nabla=0$	mm INCH 4 PLACES ± --- ± --- 3 PLACES ± --- ± .006 2 PLACES ± 0.15 ± .010 1 PLACE ± 0.25 ± --- ANGULAR ± --- °	MM/IN	4:1	METRIC	
	DRAFT WHERE APPLICABLE MUST REMAIN WITHIN DIMENSIONS	DRAWN BY: DBYRNES CHECKED BY: EOMAHONY APPROVED BY: EOMAHONY DATE: 2006/08/02 DATE: 2006/08/12 DATE: 2006/08/12	TITLE	R/A LOW PROFILE PC JACK 4,6,8 CKTS SIZE SMT VERSION		
		MATERIAL NO. SEE CHART SHEETS 4.5&6 DOCUMENT NO. SD-95501-001 SHEET NO. 2 OF 5	MOLEX INCORPORATED			

10 9 8 7 6 5 4 3 2 1

TYPE DIM.	POS. 4	POS. 6		POS. 8
	4 CKTS.	4 CKTS.	6 CKTS.	8 CKTS.
Y $(\pm 0.05) / \pm .002$	(7.62) / .300	(10.16) / .400	(10.16) / .400	(11.43) / .450
X $(\pm 0.05) / \pm .002$	(3.81) / .150	(3.81) / .150	(6.35) / .250	(8.89) / .350



**NOTE:**  
 FOR CONVECTION SOLDERING: DIA 3.25±0.05 / .128±.002  
 FOR WAVE SOLDERING: DIA 3.20±0.10 / .126±.004

<b>MODIFIED TABLE</b> EC NO: E2008-0176 DRAWN: DBYRNES 2007/10/05 CHECK: CHIKO 2007/10/05 APPR: EOMAHONY 2007/10/05	<b>QUALITY SYMBOLS</b> ▽=0 ▽=0	<b>GENERAL TOLERANCES (UNLESS SPECIFIED)</b> <table border="1" style="width: 100%; border-collapse: collapse;"> <thead> <tr> <th></th> <th>mm</th> <th>INCH</th> </tr> </thead> <tbody> <tr> <td>4 PLACES</td> <td>± .15</td> <td>± .006</td> </tr> <tr> <td>3 PLACES</td> <td>± .15</td> <td>± .010</td> </tr> <tr> <td>2 PLACES</td> <td>± 0.25</td> <td>± .010</td> </tr> <tr> <td>1 PLACE</td> <td>± 0.25</td> <td>± .010</td> </tr> <tr> <td>ANGULAR</td> <td>± .005</td> <td>± .005</td> </tr> </tbody> </table>		mm	INCH	4 PLACES	± .15	± .006	3 PLACES	± .15	± .010	2 PLACES	± 0.25	± .010	1 PLACE	± 0.25	± .010	ANGULAR	± .005	± .005	<b>DIMENSION STYLE</b> MM/IN	<b>SCALE</b> 2:1	<b>DESIGN UNITS</b> METRIC	<input checked="" type="checkbox"/> THIRD ANGLE PROJECTION
				mm	INCH																			
4 PLACES	± .15	± .006																						
3 PLACES	± .15	± .010																						
2 PLACES	± 0.25	± .010																						
1 PLACE	± 0.25	± .010																						
ANGULAR	± .005	± .005																						
<b>DRAFT WHERE APPLICABLE MUST REMAIN WITHIN DIMENSIONS</b>		<b>DRAWN BY</b> DBYRNES 2006/08/02 <b>CHECKED BY</b> EOMAHONY 2006/08/12 <b>APPROVED BY</b> EOMAHONY 2006/08/12	<b>TITLE</b> R/A LOW PROFILE JACK PC JACK 4.6.8 CKT SIZE SMT AND STANDARD VERSION	MOLEX INCORPORATED																				
<b>REV</b> B		<b>MATERIAL NO.</b> SEE CHART SHEETS 4,5&6	<b>DOCUMENT NO.</b> SD-95501-001		<b>SHEET NO.</b> 3 OF 5																			

9 8 7 6 5 4 3 2 1

10 9 8 7 6 5 4 3 2 1

**SPECIAL PACKAGING TUBE, SEE PACKAGING SPEC PK95001 SHEET 3**

PART NO FOR JACK ASSEMBLY  
THROUGH HOLE VERSION

PART NO FOR JACK ASSEMBLY  
SMT VERSION

HOUSING SIZE	LOADED CONTACTS	PLATING	LCP GLASS FILLED 94V0, COLOR BLACK.								
			NO KEY		KEY		TOOLED				
			NOT RIBBED	TOOLED	NOT RIBBED	TOOLED	NOT RIBBED	TOOLED			
4	4	2	95501-2401	X							
6	4	2	95501-2601	X							
6	6	2	95501-2611	X							
8	8	2	95501-2821	X							

PLATING	LCP GLASS FILLED 94V0 COLOUR BLACK					
	NO KEY		KEY		TOOLED	
	NOT RIBBED	TOOLED	NOT RIBBED	TOOLED	NOT RIBBED	TOOLED
2	95501-6449	X				
2	95501-6649	X				
2	95501-6669	X				
2	95501-6889	X	95501-6890	X		

REMOVED GREY OPTIONS EC NO: E2007-0513 DRAWN BY: DBYRNES 2007/01/08 CHECKED: CHIKO 2007/01/08 APPR: EOMAHONY 2007/01/09 REV B	QUALITY SYMBOLS ▽=0 ▽=0	GENERAL TOLERANCES (UNLESS SPECIFIED) <table border="1"> <tr> <th></th> <th>mm</th> <th>INCH</th> </tr> <tr> <td>4 PLACES</td> <td>± .005</td> <td>± .0008</td> </tr> <tr> <td>3 PLACES</td> <td>± .005</td> <td>± .0008</td> </tr> <tr> <td>2 PLACES</td> <td>± .005</td> <td>± .0008</td> </tr> <tr> <td>1 PLACE</td> <td>± .005</td> <td>± .0008</td> </tr> <tr> <td>ANGULAR</td> <td>± .005</td> <td>± .0008</td> </tr> </table>		mm	INCH	4 PLACES	± .005	± .0008	3 PLACES	± .005	± .0008	2 PLACES	± .005	± .0008	1 PLACE	± .005	± .0008	ANGULAR	± .005	± .0008	DIMENSION STYLE MM ONLY DRAWN BY: DBYRNES DATE: 2006/08/02 CHECKED BY: EOMAHONY DATE: 2006/08/12 APPROVED BY: EOMAHONY DATE: 2006/08/12	SCALE: --- DESIGN UNITS: METRIC THIRD ANGLE PROJECTION	TITLE: LOW PROFILE R/A JACK STANDARD AND SMT VERSION TUBE PACKAGING MOLEX INCORPORATED
		mm	INCH																				
	4 PLACES	± .005	± .0008																				
	3 PLACES	± .005	± .0008																				
2 PLACES	± .005	± .0008																					
1 PLACE	± .005	± .0008																					
ANGULAR	± .005	± .0008																					
DRAFT WHERE APPLICABLE MUST REMAIN WITHIN DIMENSIONS	MATERIAL NO.: SEE CHART SIZE: A3	DOCUMENT NO.: SD-95501-001	SHEET NO.: 5 OF 5																				
THIS DRAWING CONTAINS INFORMATION THAT IS PROPRIETARY TO MOLEX INCORPORATED AND SHOULD NOT BE USED WITHOUT WRITTEN PERMISSION																							

ib\_frame\_A3\_P\_ME\_1  
Rev. D 2004/04/02

9 8 7 6 5 4 3 2 1