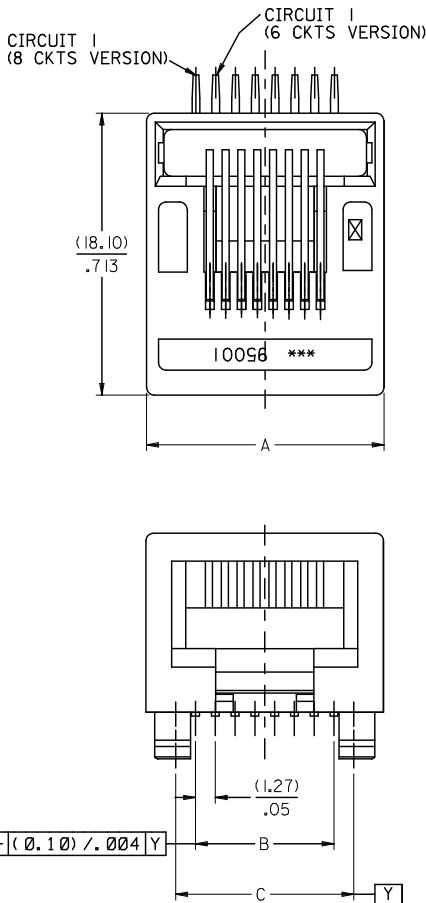


**6 & 8 VERSIONS**

8 VERSION SHOWN

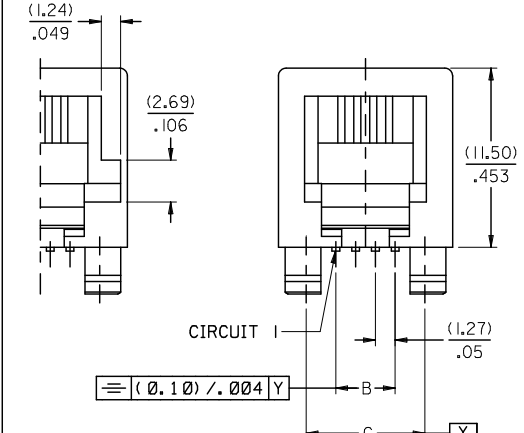


DIM.	TYPE	POS. 4	POS. 6		POS. 8
		4 CKTS.	4 CKTS.	6 CKTS.	8 CKTS.
A		(11.18) / .440	(13.21) / .520	(13.21) / .520	(15.24) / .600
C		(7.62) / .300	(10.16) / .400	(10.16) / .400	(11.43) / .450
B		(3.81) / .150	(3.81) / .150	(6.35) / .250	(8.89) / .350

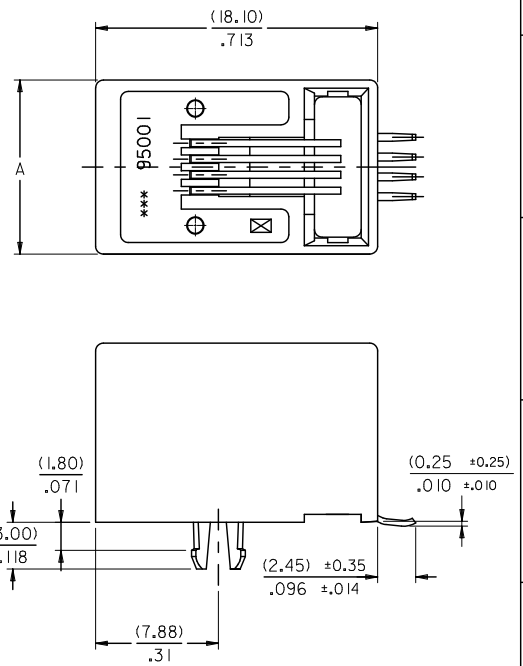
**NOTES :**

- 1- MATERIAL:
- HOUSING: LCP GLASS FILLED UL 94V-0, COLOUR BLACK.
- 2- SEE OTHER NOTES SHEET 1
- 3- COPLANARITY OF SIGNAL TAILS 0.10MM

**OPTIONAL KEYING**



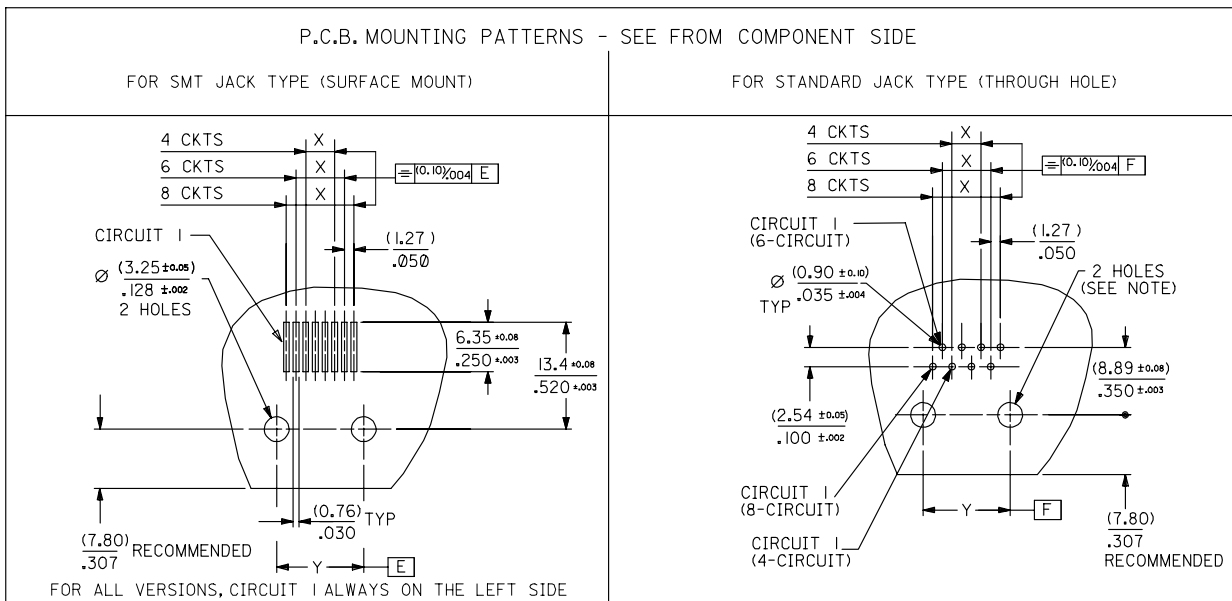
**4 VERSION ONLY**



ADDED NOTE 3. EC NO: E2010-0156 DRWN: DBYRNES 2010/01/08 CHYK: 2010/01/08 APPR: J WALLACE 2010/01/08 REV DESCRIPTION	QUALITY SYMBOLS	GENERAL TOLERANCES (UNLESS SPECIFIED)	DIMENSION STYLE	SCALE	DESIGN UNITS	THIRD ANGLE PROJECTION
	$\nabla=0$ $\nabla=0$	mm INCH 4 PLACES ± --- ± --- 3 PLACES ± --- ± .006 2 PLACES ± 0.15 ± .010 1 PLACE ± 0.25 ± --- ANGULAR ± --- °	MM/IN	4:1	METRIC	
	DRAFT WHERE APPLICABLE MUST REMAIN WITHIN DIMENSIONS	DRAWN BY DATE DBYRNES 2006/08/02 CHECKED BY DATE EOMAHONY 2006/08/12 APPROVED BY DATE EOMAHONY 2006/08/12	TITLE	R/A LOW PROFILE PC JACK 4,6,8 CKTS SIZE SMT VERSION		
		MATERIAL NO. SEE CHART SHEETS 4.5&6	DOCUMENT NO. SD-95501-001	MOLEX INCORPORATED		

10 9 8 7 6 5 4 3 2 1

TYPE DIM.	POS. 4	POS. 6		POS. 8
	4 CKTS.	4 CKTS.	6 CKTS.	8 CKTS.
Y $(\pm 0.05) / \pm .002$	(7.62) / .300	(10.16) / .400	(10.16) / .400	(11.43) / .450
X $(\pm 0.05) / \pm .002$	(3.81) / .150	(3.81) / .150	(6.35) / .250	(8.89) / .350



**NOTE:**  
 FOR CONVECTION SOLDERING: DIA 3.25±0.05 / .128±.002  
 FOR WAVE SOLDERING: DIA 3.20±0.10 / .126±.004

MODIFIED TABLE EC NO: E2008-0176 DRAWN: DBYRNES 2007/10/05 CHECKED: CHIKO 2007/10/05 APPR: EOMAHONY 2007/10/05 REV B	QUALITY SYMBOLS ▽=0 ▽=0	GENERAL TOLERANCES (UNLESS SPECIFIED)		DIMENSION STYLE MM/IN		SCALE 2:1	DESIGN UNITS METRIC	THIRD ANGLE PROJECTION
		mm	INCH	DRAWN BY DBYRNES	DATE 2006/08/02	TITLE R/A LOW PROFILE JACK PC JACK 4.6.8 CKT SIZE SMT AND STANDARD VERSION	MOLEX INCORPORATED DOCUMENT NO. SD-95501-001 SHEET NO. 3 OF 5	
4 PLACES ± --- ± ---		3 PLACES ± --- ± .006		CHECKED BY EOMAHONY	DATE 2006/08/12	THIS DRAWING CONTAINS INFORMATION THAT IS PROPRIETARY TO MOLEX INCORPORATED AND SHOULD NOT BE USED WITHOUT WRITTEN PERMISSION		
2 PLACES ± 0.15 ± .010		1 PLACE ± 0.25 ± ---		APPROVED BY EOMAHONY	DATE 2006/08/12			
ANGULAR ± --- °		DRAFT WHERE APPLICABLE MUST REMAIN WITHIN DIMENSIONS		MATERIAL NO.				

9 8 7 6 5 4 3 2 1

10 9 8 7 6 5 4 3 2 1

**SPECIAL PACKAGING TUBE, SEE PACKAGING SPEC PK95001 SHEET 3**

PART NO FOR JACK ASSEMBLY  
THROUGH HOLE VERSION

PART NO FOR JACK ASSEMBLY  
SMT VERSION

HOUSING SIZE	LOADED CONTACTS	PLATING	LCP GLASS FILLED 94V0, COLOR BLACK.							
			NO KEY		KEY		TOOLED	TOOLED		
			NOT RIBBED	TOOLED	NOT RIBBED	TOOLED				
4	4	2	95501-2401	X						
6	4	2	95501-2601	X						
6	6	2	95501-2611	X						
8	8	2	95501-2821	X						

PLATING	LCP GLASS FILLED 94V0 COLOUR BLACK					
	NO KEY		KEY		TOOLED	TOOLED
	NOT RIBBED	TOOLED	NOT RIBBED	TOOLED		
2	95501-6449	X				
2	95501-6649	X				
2	95501-6669	X				
2	95501-6889	X	95501-6890	X		

REMOVED GREY OPTIONS EC NO: E2007-0513 DRAWN BY: DBYRNES 2007/01/08 CHECKED: CHIKO 2007/01/08 APPR: EOMAHONY 2007/01/09 REV B	QUALITY SYMBOLS	GENERAL TOLERANCES (UNLESS SPECIFIED)	DIMENSION STYLE	SCALE	DESIGN UNITS	THIRD ANGLE PROJECTION	
	$\nabla=0$ $\nabla=0$	mm INCH 4 PLACES ± --- ± --- 3 PLACES ± --- ± --- 2 PLACES ± --- ± --- 1 PLACE ± --- ± --- ANGULAR ± ---°	MM ONLY	---	METRIC	DRAWN BY: DBYRNES 2006/08/02 CHECKED BY: EOMAHONY 2006/08/12 APPROVED BY: EOMAHONY 2006/08/12 MATERIAL NO. SEE CHART DOCUMENT NO. SD-95501-001	TITLE: LOW PROFILE R/A JACK STANDARD AND SMT VERSION TUBE PACKAGING MOLEX INCORPORATED SHEET NO. 5 OF 5
	DRAFT WHERE APPLICABLE MUST REMAIN WITHIN DIMENSIONS	SEE CHART	SIZE A3	THIS DRAWING CONTAINS INFORMATION THAT IS PROPRIETARY TO MOLEX INCORPORATED AND SHOULD NOT BE USED WITHOUT WRITTEN PERMISSION			

ib\_frame\_A3\_P\_ME\_1  
Rev. D 2004/04/02

9 8 7 6 5 4 3 2 1