

**NOTES :**

- 1- MATERIAL:
  - HOUSING: LCP GLASS FILLED UL 94V-0. COLOUR BLACK.
  - TERMINAL: PHOSPHOR BRONZE .
- PLATING 2:
  - POST PLATE (0.00127)/.000050 MIN GOLD IN CONTACT AREA
  - (0.00190)/.000075 MIN PURE TIN IN TAIL AREA
  - BOTH OVER (0.00127)/.000050 MIN NICKEL OVERALL.
- 2- JACK FOR MATING WITH F.C.C. 68 PLUGS 90075 MOLEX SERIES.
- 3- PRODUCT SPECIFICATION PS-95501.
- 4- PACKAGING SPECIFICATION PK-95001: STANDARD PACKAGING SHEET 1, SPECIAL PACKAGING SHEET 2, TUBE PACKAGING SHEET 3.
- 5- MANUFACTURING I.D. CAN BE EITHER MXF, MG OR MXL.
- 6- RECOMMENDED PCB THICKNESS: 1.6mm

**OPTIONAL KEYING**

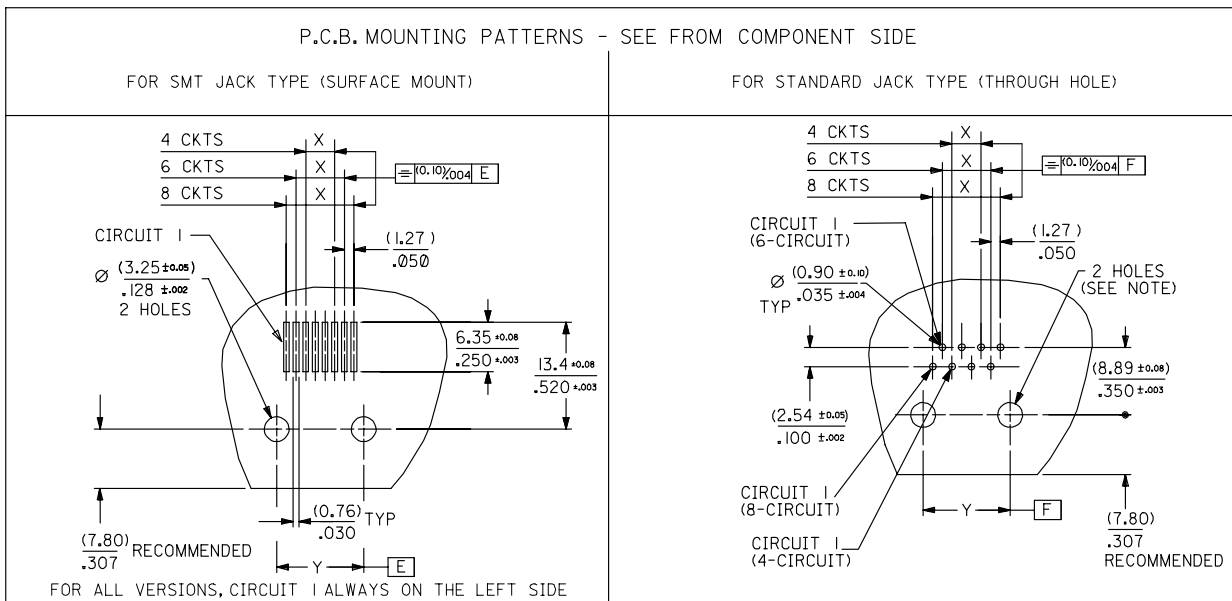
CIRCUIT 1 (4 CKTS VERSION)

DIM.	TYPE		POS. 4		POS. 6		POS. 8	
	4 CKTS.	8 CKTS.	4 CKTS.	8 CKTS.	6 CKTS.	8 CKTS.	6 CKTS.	8 CKTS.
A	(11.18) / .440	(13.21) / .520	(13.21) / .520	(15.24) / .600	(13.21) / .520	(15.24) / .600	(13.21) / .520	(15.24) / .600
C	(7.62) / .300	(10.16) / .400	(10.16) / .400	(11.43) / .450	(10.16) / .400	(11.43) / .450	(10.16) / .400	(11.43) / .450
B	(3.81) / .150	(3.81) / .150	(3.81) / .150	(6.35) / .250	(3.81) / .150	(6.35) / .250	(3.81) / .150	(6.35) / .250

MODIFIED NOTES: EC NO: E2008-0176 DRAWN BY: DBYRNES 2007/10/05 CHECKED: CHIKO 2007/10/05 APPR: EOMAHONY 2007/10/05	QUALITY SYMBOLS	GENERAL TOLERANCES (UNLESS SPECIFIED) mm INCH 4 PLACES ± --- ± --- 3 PLACES ± --- ± .006 2 PLACES ± 0.15 ± .010 1 PLACE ± 0.25 ± --- ANGULAR ± ---°	DIMENSION STYLE	SCALE	DESIGN UNITS	THIRD ANGLE PROJECTION
	▽=0 ▽=0		MM/IN	4:1	METRIC	
	DRAWN BY: DBYRNES 2006/08/02 CHECKED BY: EOMAHONY 2006/08/12 APPROVED BY: EOMAHONY 2006/08/12		TITLE	R/A LOW PROFILE PC JACK 4,6,8 CKTS SIZE THROUGH HOLE VERSION		
	MATERIAL NO. SEE CHART SHEETS 4.56&8 SIZE: A3		MOLEX INCORPORATED DOCUMENT NO. SD-95501-001 SHEET NO. 1 OF 5	THIS DRAWING CONTAINS INFORMATION THAT IS PROPRIETARY TO MOLEX INCORPORATED AND SHOULD NOT BE USED WITHOUT WRITTEN PERMISSION		

10 9 8 7 6 5 4 3 2 1

TYPE DIM.	POS. 4	POS. 6		POS. 8
	4 CKTS.	4 CKTS.	6 CKTS.	8 CKTS.
Y $(\pm 0.05) / \pm .002$	(7.62) / .300	(10.16) / .400	(10.16) / .400	(11.43) / .450
X $(\pm 0.05) / \pm .002$	(3.81) / .150	(3.81) / .150	(6.35) / .250	(8.89) / .350



**NOTE:**  
 FOR CONVECTION SOLDERING: DIA 3.25±0.05 / .128±.002  
 FOR WAVE SOLDERING: DIA 3.20±0.10 / .126±.004

MODIFIED TABLE EC NO: E2008-0176 DRAWN: DBYRNES 2007/10/05 CHECK: CHIKO 2007/10/05 APPR: EOMAHONY 2007/10/05 REV B	QUALITY SYMBOLS ▽=0 ▽=0	GENERAL TOLERANCES (UNLESS SPECIFIED)		DIMENSION STYLE MM/IN		SCALE 2:1	DESIGN UNITS METRIC	THIRD ANGLE PROJECTION	
		mm	INCH	DRAWN BY DBYRNES	DATE 2006/08/02	TITLE R/A LOW PROFILE JACK PC JACK 4.6.8 CKT SIZE SMT AND STANDARD VERSION MOLEX MOLEX INCORPORATED MATERIAL NO. SD-95501-001 DOCUMENT NO. SD-95501-001 SHEET NO. 3 OF 5			
4 PLACES ± --- ± ---		CHECKED BY EOMAHONY	DATE 2006/08/12						
3 PLACES ± .15 ± .010		APPROVED BY EOMAHONY	DATE 2006/08/12						
2 PLACES ± 0.25 ± ---		SEE CHART SHEETS 4.5&6							
1 PLACE ± 0.25 ± ---		ANGULAR ± --- °		DRAFT WHERE APPLICABLE MUST REMAIN WITHIN DIMENSIONS		THIS DRAWING CONTAINS INFORMATION THAT IS PROPRIETARY TO MOLEX INCORPORATED AND SHOULD NOT BE USED WITHOUT WRITTEN PERMISSION			

9 8 7 6 5 4 3 2 1

10 9 8 7 6 5 4 3 2 1

**STANDARD PACKAGING OPEN TRAY ,SEE PACKAGING SPEC PK95001 SHEET 1**

PART NO FOR JACK ASSEMBLY

**THROUGH HOLE VERSION**

HOUSING SIZE	LOADED CONTACTS	PLATING	LCP GLASS FILED 94V0,COLOR BLACK.							
			NO KEY		KEY		TOOLED	TOOLED	TOOLED	
			NOT RIBBED	TOOLED	NOT RIBBED	TOOLED				
4	4	2	9550I-244I	X						
6	4	2	9550I-264I	X						
6	6	2	9550I-266I	X						
8	8	2	9550I-288I	X	9550I-2882	X				

ORIGINAL EC NO: E2007-0117 DRAWN BY DBYRNES 2006/10/11 CHECKED BY CHIKO 2006/10/11 APPR: EOMAHONY 2006/10/12 REV A	QUALITY SYMBOLS ▽=0 ▽=0	GENERAL TOLERANCES (UNLESS SPECIFIED) <table border="1"> <tr> <th></th> <th>mm</th> <th>INCH</th> </tr> <tr> <td>4 PLACES</td> <td>± .005</td> <td>± .0005</td> </tr> <tr> <td>3 PLACES</td> <td>± .005</td> <td>± .0005</td> </tr> <tr> <td>2 PLACES</td> <td>± .005</td> <td>± .0005</td> </tr> <tr> <td>1 PLACE</td> <td>± .005</td> <td>± .0005</td> </tr> <tr> <td>ANGULAR</td> <td>± .005°</td> <td></td> </tr> </table>		mm	INCH	4 PLACES	± .005	± .0005	3 PLACES	± .005	± .0005	2 PLACES	± .005	± .0005	1 PLACE	± .005	± .0005	ANGULAR	± .005°		DIMENSION STYLE MM ONLY	SCALE ---	DESIGN UNITS METRIC	THIRD ANGLE PROJECTION
		mm	INCH																					
	4 PLACES	± .005	± .0005																					
	3 PLACES	± .005	± .0005																					
2 PLACES	± .005	± .0005																						
1 PLACE	± .005	± .0005																						
ANGULAR	± .005°																							
DRAWN BY DBYRNES 2006/08/02 CHECKED BY EOMAHONY 2006/08/12 APPROVED BY EOMAHONY 2006/08/12		TITLE LOW PROFILE R/A JACK STANDARD T/HOLE VERSION STANDARD OPEN TRAY VERS		MOLEX MOLEX INCORPORATED																				
DRAFT WHERE APPLICABLE MUST REMAIN WITHIN DIMENSIONS		SEE CHART		MATERIAL NO. SD-95501-001		SHEET NO. 4 OF 5																		
THIS DRAWING CONTAINS INFORMATION THAT IS PROPRIETARY TO MOLEX INCORPORATED AND SHOULD NOT BE USED WITHOUT WRITTEN PERMISSION																								

9 8 7 6 5 4 3 2 1