

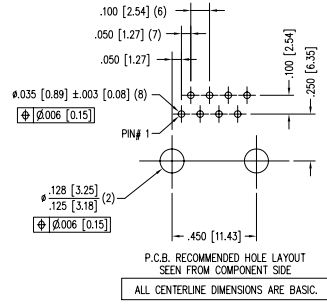
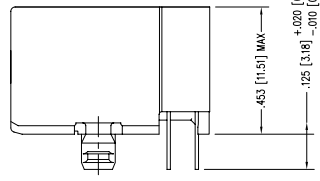
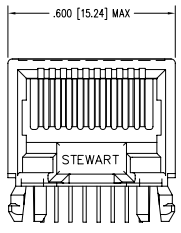
B

A

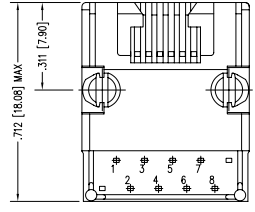
B

A

DATE	REV	ECN	APP'D. BY
7/13/04	A3	6482	TRM
11-14-05	A4	7376	TRM



- NOTES:
- CONNECTOR MATERIALS:  
HOUSING: THERMOPLASTIC UL94 V-0  
CONTACTS: COPPER ALLOY  
CONTACT PLATING: SELECTIVE GOLD IN CONTACT AREA  
SEE CHART FOR PART NUMBER
  - FOR PRODUCT SPECIFICATIONS SEE PRO22-01.
  - TOLERANCES COMPLY WITH F.C.C. DIMENSION REQUIREMENTS.



50 MICRO-INCHES [1.27um]	SS-700810-NF-50
30 MICRO-INCHES [0.76um]	SS-700810-NF
CONTACT PLATING IN MATING AREA	PART NUMBER

THIRD ANGLE PROJECTION		<b>Bel Stewart Connector</b>	
DO NOT SCALE DRAWING DRAWING IS SUBJECT TO CHANGE WITHOUT NOTICE		11118 Susquehanna Trail South Glen Rock, PA 17327-9199 (717) 235-7512 Fax: (717) 235-7954 <a href="http://www.stewartconnector.com">http://www.stewartconnector.com</a>	
DIMENSIONS: INCHES [METRIC] UNLESS OTHERWISE SPECIFIED TOLERANCES ARE ±.005 [0.13] ANGLES ARE ± 1°		TITLE: EIGHT CONTACT, TEN POSITION JACK, UNSHIELDED	
SHEET NO. 1 OF 1		DRN BY: RGC	DATE: 6-5-02
		APP'D BY: JRC	DATE: 6-5-02
		DWG NO. CT700009	REV. A4



AutoCAD

REV. 7/3/03