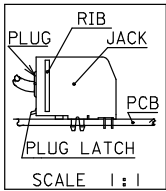


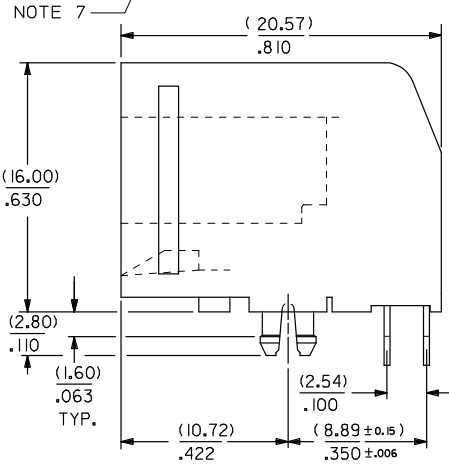
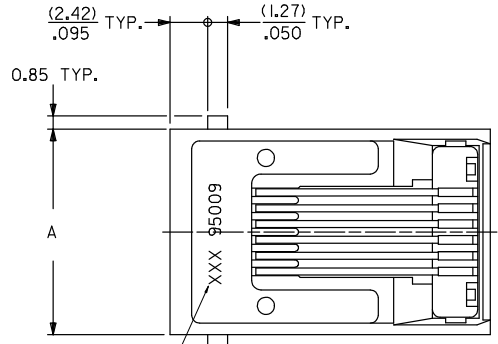
10 9 8 7 6 5 4 3 2 1

NOTES :

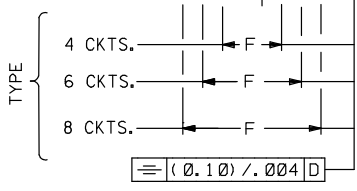
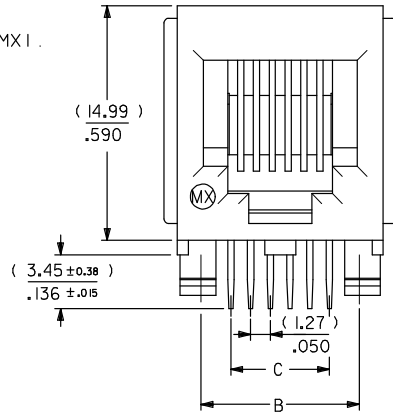
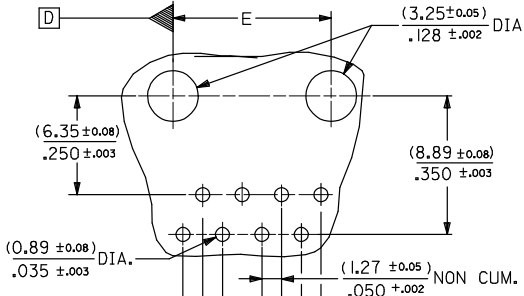
- 1- MATERIAL : POLYESTER FIBER GLASS FILED 94-V-0
COLOR BLACK .
- TERMINAL : TIN BRASS.
- PLATINGS : FINISH 2
- POST PLATE (0.00127-0.00152)/.000050-.000060
GOLD IN CONTACT AREA .
(0.00190)/.000075 MIN. PURE TIN IN TAIL AREA BOTH
OVER (0.00127)/.000050 MIN. NICKEL OVERALL .



- 2- PC BOARD THICKNESS : (1.57) / .062 .
- 3- JACK FOR MATING WITH F.C.C. 68 PLUGS 90075 MOLEX SERIES .
- 4- PRODUCT SPECIFICATION PS-95009-001.
- 5- APPLICATION SPECIFICATION AS-95001.
- 6- PACKAGING SPECIFICATION PK-95029.
- 7- MANUFACTURING ID CAN BE MXF, MG OR MX1 .



MOUNTING HOLE PATTERNS
(SEE FROM COMPONENT SIDE)



UPDATED NOTES: EC NO: E2008-0348 I: DRW: BRYANES 2008/01/14 CHYK: 2008/01/16 APPR: WALLACE 2008/01/16 REV DESCRIPTION	QUALITY SYMBOLS	GENERAL TOLERANCES (UNLESS SPECIFIED)	DIMENSION STYLE MM/IN	SCALE 4:1	DESIGN UNITS METRIC	THIRD ANGLE PROJECTION
	$\nabla = 0$ $\nabla = 0$	4 PLACES ± --- ± --- 3 PLACES ± --- ± .010 2 PLACES ± 0.25 ± .014 1 PLACE ± 0.35 ± --- ANGULAR ± 1/2°	DRAWN BY DP DATE 86/10/23 CHECKED BY DATE APPROVED BY DATE	TITLE	FLUSH MOUNT RIGHT ANGLE MODULAR JACK ASSEMBLY THROUGH HOLE VERSION	
	DRAFT WHERE APPLICABLE MUST REMAIN WITHIN DIMENSIONS	MATERIAL NO. SEE CHART SHT 2 SIZE A3	MOLEX INCORPORATED DOCUMENT NO. SDA-95009-F SHEET NO. 1 OF 2			
	THIS DRAWING CONTAINS INFORMATION THAT IS PROPRIETARY TO MOLEX INCORPORATED AND SHOULD NOT BE USED WITHOUT WRITTEN PERMISSION					

ib_frame_A3_P_ME_T Rev. D 2004/04/02 9 8 7 6 5 4 3 2 1

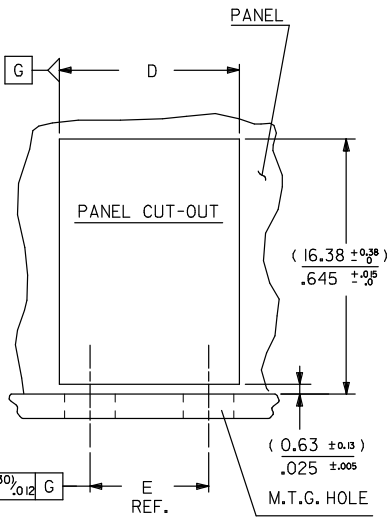
10 9 8 7 6 5 4 3 2 1

PART NUMBERS FOR JACK I RIB .

TYPE	POS. 4	TOOLED	POS. 6	TOOLED	POS. 6	TOOLED	POS. 8	TOOLED	
									4 CKTS.
PLATING FINISH 2	MOLEX STANDARD	95009-2441	X	95009-2641	X	95009-2661	X	95009-2881	X

PART NUMBERS FOR JACK NO RIB.

TYPE	POS. 4	TOOLED	POS. 6	TOOLED	POS. 6	TOOLED	POS. 8	TOOLED	
									4 CKTS.
PLATING FINISH 2	MOLEX STANDARD	95009-2447	X	95009-2647	X	95009-2667	X	95009-2887	X



TYPE	POS. 4	POS. 6		POS. 8	
		4 CKTS.	4 CKTS.		6 CKTS.
DIM. A	(11.18) / .440	(13.21) / .520	(13.21) / .520	(15.24) / .600	
B	(7.62) / .300	(10.16) / .400	(10.16) / .400	(11.43) / .450	
C	(3.81) / .150	(3.81) / .150	(6.35) / .250	(8.89) / .350	
D	(^{+0.38} / ₀) / ±.05	(11.56) / .455	(13.59) / .535	(13.59) / .535	(15.62) / .615
E	(±0.10) / ±.004	(7.62) / .300	(10.16) / .400	(10.16) / .400	(11.43) / .450
F	(±0.10) / ±.004	(3.81) / .150	(3.81) / .150	(6.35) / .250	(8.89) / .350

ADDED PART NO's EC NO: E2008-0348 DRAWN BY: DRWN:DRYANES 2008/01/14 CHYK: 2008/01/16 APPR: J WALLACE 2008/01/16 REV DESCRIPTION	QUALITY SYMBOLS	GENERAL TOLERANCES (UNLESS SPECIFIED)	DIMENSION STYLE MM/IN	SCALE 4:1	DESIGN UNITS METRIC	THIRD ANGLE PROJECTION	
	$\nabla = 0$ $\nabla = 0$	4 PLACES ± --- ± --- 3 PLACES ± --- ± .010 2 PLACES ± 0.25 ± .014 1 PLACE ± 0.35 ± --- ANGULAR ± 1/2°	DRAWN BY: DP DATE: 87/04/22 CHECKED BY: DATE:	TITLE	FLUSH MOUNT RIGHT ANGLE MODULAR JACK ASSEMBLY THROUGH HOLE VERSION		
	DRAFT WHERE APPLICABLE MUST REMAIN WITHIN DIMENSIONS	APPROVED BY: DATE: MATERIAL NO. SEE CHART DOCUMENT NO. SDA-95009-F SHEET NO. 2 OF 2	MOLEX INCORPORATED				
	THIS DRAWING CONTAINS INFORMATION THAT IS PROPRIETARY TO MOLEX INCORPORATED AND SHOULD NOT BE USED WITHOUT WRITTEN PERMISSION						

ib_frame_A3_P_ME_T Rev. D 2004/04/02 9 8 7 6 5 4 3 2 1