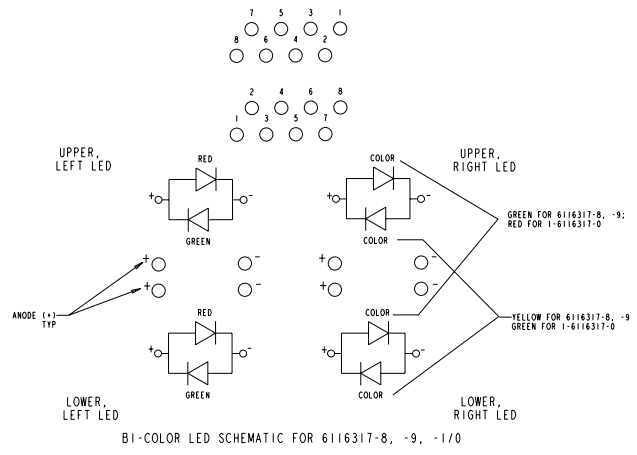
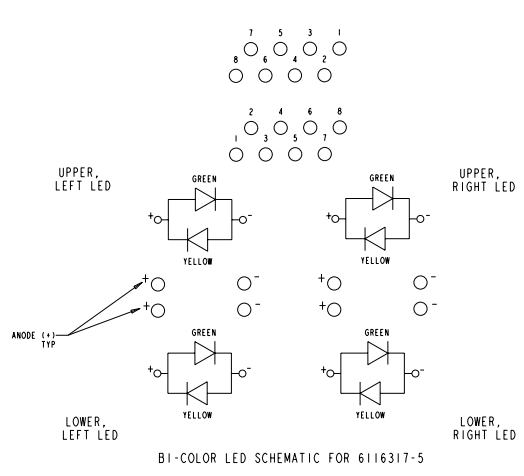






| REV | DATE | REVISIONS   | BY | CHK | APP |
|-----|------|-------------|----|-----|-----|
| AA  | 22   | SEE SHEET 1 |    |     |     |



|  |  |  |
|--|--|--|
| TROD ELECTRONICS CORPORATION<br>1000 W. MARKET STREET<br>HARRISBURG, PA 17105-3600 | DATE: 2/20/2005<br>BY: MESSMAN<br>CHECKED: J. HUNZBERG<br>PART NO: 6116317-5<br>REV: 100-1854<br>QUANTITY: 10000<br>WEIGHT: 17.2 grams | TROD Electronics Corporation<br>Harrisburg, PA 17105-3600<br>STACKED MODULAR JACK ASSEMBLY,<br>2X8 WITH LEDS, 8 POSITION, SHIELDED<br>PANEL GROUND, OFFSET, CAT 5<br>00778 ©=6116317<br>SHEET 3 OF 3 |
|--|--|--|