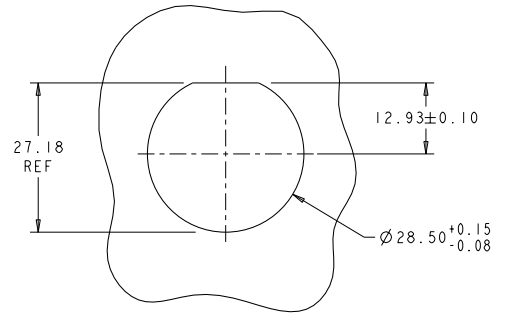
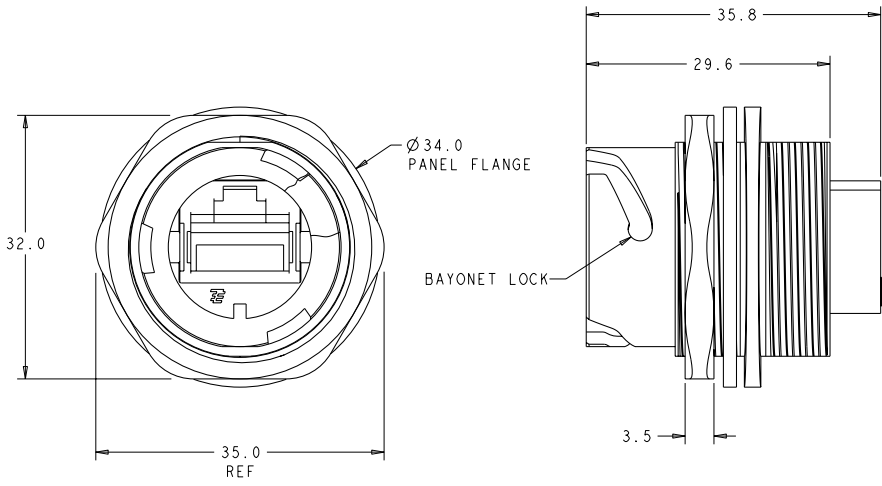
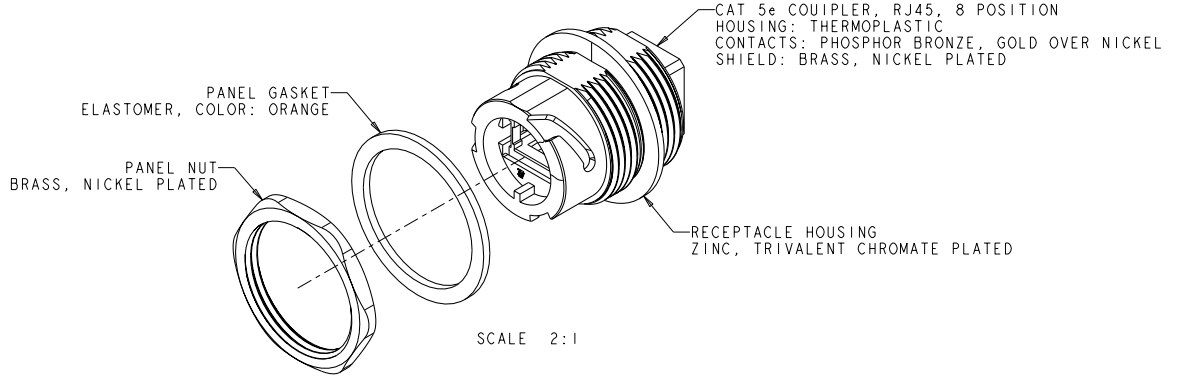


REV	DATE	BY	CHKD	APPROV
A1	24APR2008	SS	MS	



RECOMMENDED PANEL CUTOUT
 3.2mm MAXIMUM PANEL THICKNESS



SCALE 2:1

SHIELDED	2008615-2
UNSHIELDED	2008615-1
DESCRIPTION	PART NUMBER

- CONNECTOR MAY BE FRONT OR REAR PANEL MOUNTED. VIEWS SHOW PANEL NUT AND GASKET LOCATION FOR THE REAR PANEL MOUNTED VERSION.
- COUPLER LINES CROSSOVER BETWEEN POSTS.
- PANEL NUT AND PANEL GASKET ARE PACKAGED UNASSEMBLED IN POLYBAG.

DIMENSIONS: mm 0 PLC ±0.0 1 PLC ±0.2 2 PLC ±0.10 3 PLC ±0.000 4 PLC ±0.0000 ANGLES FINISH		DATE: 01APR2008 BY: S. WELDON CHKD: C. BERTZLER APPROV: C. BERTZLER	Tyco Electronics Harrisburg, PA 17105-3608
MATERIAL: - FINISH: -		PRODUCT SPEC: - APPLICATION SPEC: - WEIGHT: - CUSTOMER DRAWING	NAME: C. BERTZLER RECEPTACLE KIT, 8 POSITION INDUSTRIAL ETHERNET CONNECTOR SIZE: A2 CASE CODE: 00779 DRAWING NO: C-2008615 SCALE: 3:1 SHEET 1 OF 1 REV: A1