

4

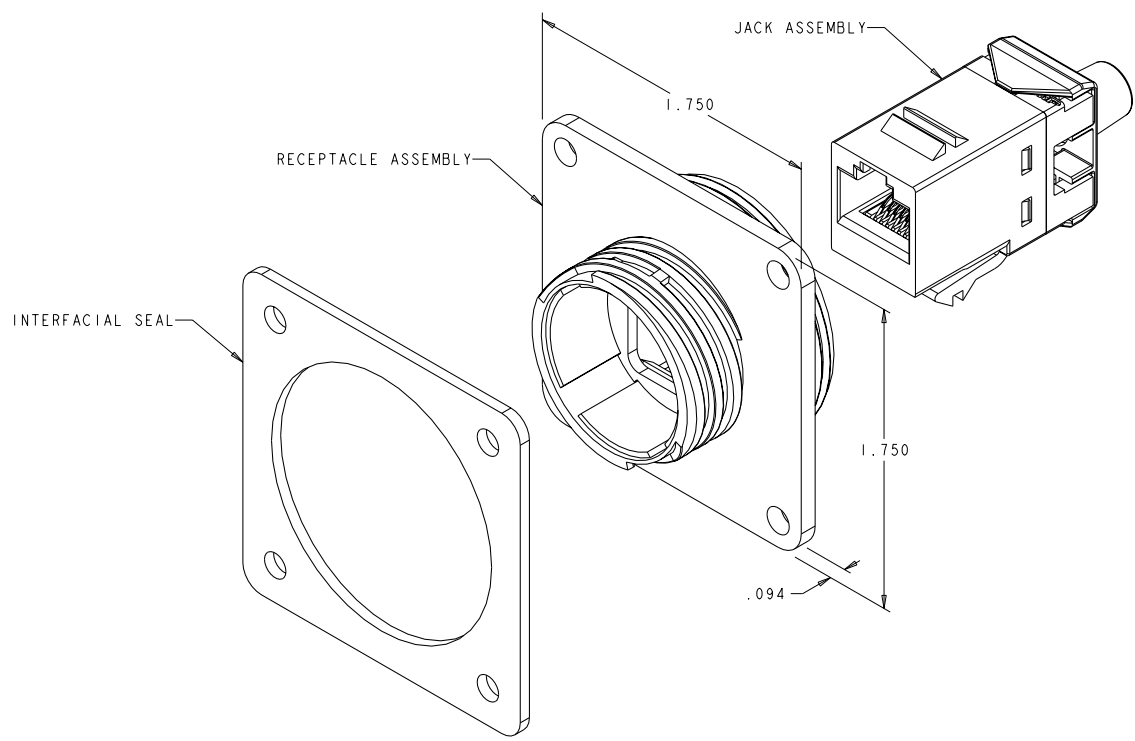
3

2

1

THIS DRAWING IS UNPUBLISHED. RELEASED FOR PUBLICATION
 BY TYCO ELECTRONICS CORPORATION. ALL RIGHTS RESERVED.

REV	DATE	BY	APPD
A	11MAR2004	SW	HW
B	11JUL2006	SW	DC
B1	25SEP2007	SW	MS



1546877-1
 PART NUMBER

DIMENSIONS: INCHES		OPERATING SPECIFICATIONS: 0 PLC .01 1 PLC .001 2 PLC .003 3 PLC .005 4 PLC .0005 ANGLES .8		DWG: S. WELDON 11MAR2004 CHK: H. WAKEEM 11MAR2004 APPD: H. WAKEEM 11MAR2004	NAME: RECEPTACLE KIT, UNASSEMBLED, UNSHIELDED, CPC INDUSTRIAL ETHERNET SHEET: A2 CASE CODE: 00779 DRAWING NO: 1546877	Tyco Electronics Harrisburg, PA 17105-3608	RESTRICTED TO:
MATERIAL: - FINISH: -		WEIGHT: - CUSTOMER DRAWING		SCALE: 3:1 SHEET: 1 OF 1 REV: B1			