

4

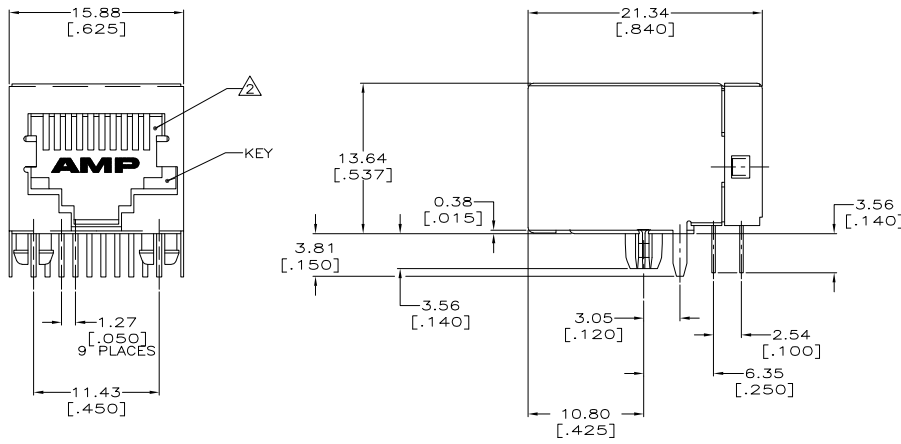
3

2

1

THIS DRAWING IS UNPUBLISHED. RELEASED FOR PUBLICATION
 © COPYRIGHT BY TYCO ELECTRONICS CORPORATION. ALL RIGHTS RESERVED.

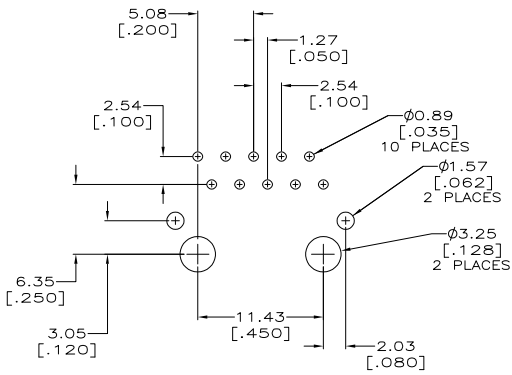
LOC	DIST	REVISIONS			
P	LNK	DESCRIPTION	DATE	BY	APPD
AA	22	REV PER EC 0511-0201-04	07JUN2005	AF	SF



△ MATERIALS:
 HOUSING—PCT POLYESTER, BLACK, IR
 REFLOW COMPATIBLE, UL 94V-0.
 TERMINALS 0.33 [.013] THICK PHOS
 BRONZE PLATED WITH 1.27μm [.000050] MIN THICK
 HARD GOLD IN LOCALIZED AREA AND 3.81μm
 [.000150] MIN THICK MATTE TIN IN SOLDER
 AREA OVER 1.27μm [.000050] MINIMUM
 THICK NICKEL UNDERPLATE.
 SHIELD—0.25 [.010] THICK COPPER ALLOY
 PLATED WITH 2.03μm [.000080] MINIMUM
 THICK TIN OVER 1.27 μm [.000050] MINIMUM THICK
 NICKEL.

△ JACK CAVITY CONFORMS TO FCC RULES AND
 REGULATIONS, PART 68 SUBPART F.

3. DIMENSIONS ARE NOMINAL UNLESS OTHER-
 WISE SPECIFIED.



5558068-1
 PART NO

THIS DRAWING IS A CONTROLLED DOCUMENT.		BY A. FERNANDEZ 07JUN2005	TYCO Electronics Corporation
		CHK J. WESTMAN 07JUN2005	Harrisburg, Pa 17105-3608
DIMENSIONS:		APPR S. FLICKINGER 07JUN2005	NAME
INCHES		PRODUCT SPEC	MODULAR JACK ASSEMBLY, 10 POSITION, KEYED, SIDE ENTRY, LOW PROFILE, FULLY SHIELDED, PRINTED CIRCUIT GROUND
① PLC ± .005		APPLICATION SPEC	RESTRICTED TO
② PLC ± .005		WEIGHT	—
③ PLC ± .010 (0.005)		FINISH	—
④ PLC ± .010 (0.005)		CUSTOMER DRAWING	SCALE 1:1 SHEET 1 OF 1 REV A
ANGLES ± .5°			

AMP 1471-9 REV 31MM2000

5558068

A