

4

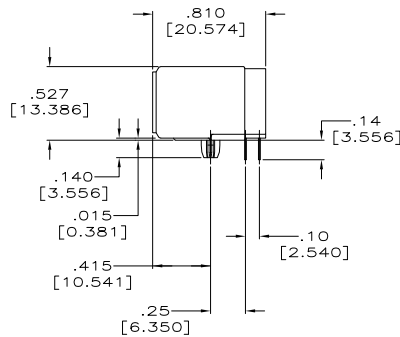
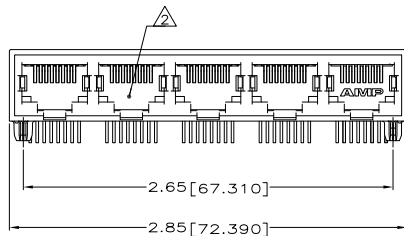
3

2

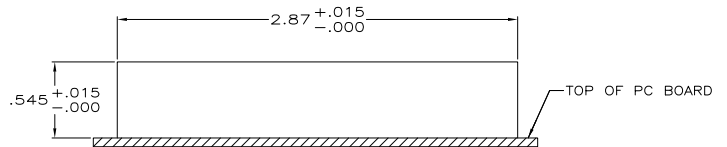
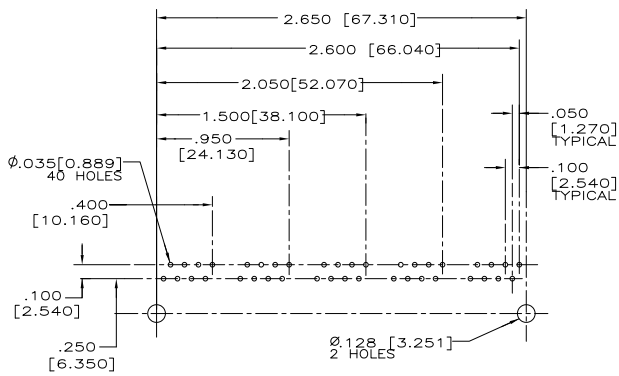
1

THIS DRAWING IS UNPUBLISHED. RELEASED FOR PUBLICATION
 © COPYRIGHT BY TYCO ELECTRONICS CORPORATION. ALL RIGHTS RESERVED.

LOC	DIST	REVISIONS			
P	LTR	DESCRIPTION	DATE	BY	APPD
AA	22	A1	ECO-11-007290	08APR2011	JJ MQW



- △ MATERIAL: HOUSING—HTN NYLON, BLACK, UL 94V-0. TERMINALS—.013[0.33] THICK PHOS BRONZE PLATED WITH .000050 [1.27μm] THICK HARD GOLD IN LOCALIZED AREA AND .000150 [3.18μm] THICK MATTE TIN IN SOLDER AREA OVER .000050 [1.27μm] THICK NICKEL UNDERPLATE.
- △ JACK CAVITY CONFORMS TO FCC RULES AND REGULATIONS, PART 68 SUBPART F.
- 3. ALL DIMENSIONS SHOWN ARE NOMINAL UNLESS OTHERWISE SPECIFIED.
- 4. ALL DIMENSIONS SHOWN IN BRACKETS [] ARE IN MILLIMETERS.



SUGGESTED PANEL CUTOUT

SUGGESTED PC BOARD LAYOUT
 COMPONENT SIDE
 SEE APPLICATION SPECIFICATION

5557563-1
 PART NO.

THIS DRAWING IS A CONTROLLED DOCUMENT.		DR: G. ATTADIA 10JUN2005	Tyco Electronics Corporation
DIMENSIONS: inches [mm]		CHK: WESTMAN 10JUN2005	Harrisburg, PA 17105-3608
TOLERANCES UNLESS OTHERWISE SPECIFIED:		APP: S. FLICKINGER 10JUN2005	NAME: MODULAR JACK ASSEMBLY, FIVE PORT, 8 POSITION, RIGHT ANGLE
Ø PLG	± .001	PRODUCT SPEC	108-1392
Ø PLG	± .010 [3.4]	APPLICATION SPEC	114-2048
Ø PLG	± .005 [0.127]	HEIGHT	-
Ø PLG	± .001	SIZE	A2
Ø PLG	± .001	CAGE CODE	00779
Ø PLG	± .001	DRAWING NO.	C-5557563
Ø PLG	± .001	RESTRICTED TO	-
Ø PLG	± .001	CUSTOMER DRAWING	SCALE: 2:1 SHEET 1 OF 1 REV A1