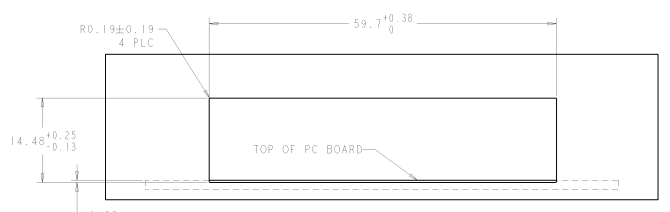
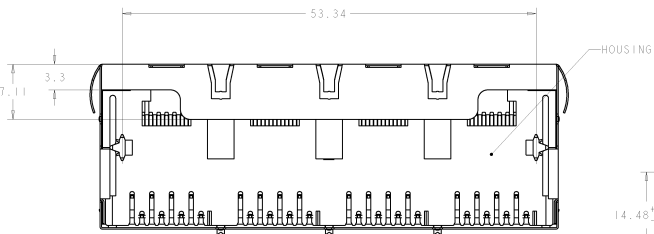
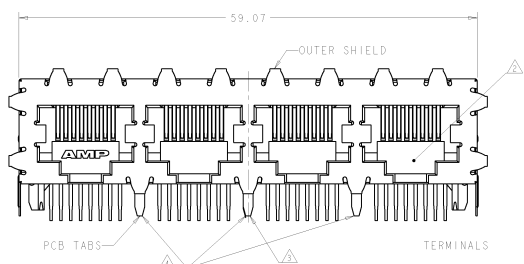
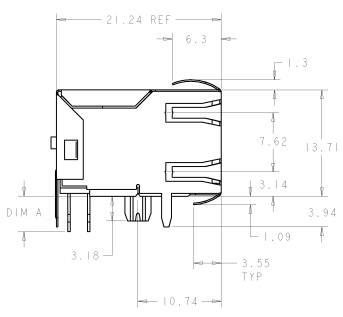


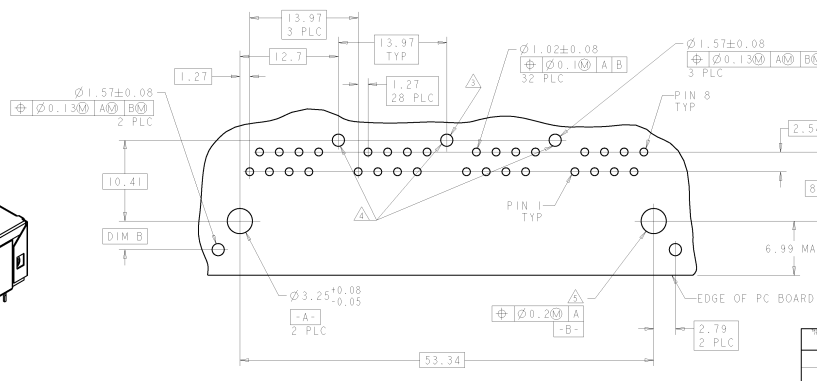
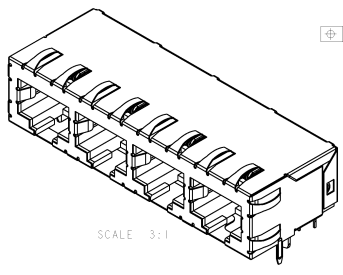
REVISED PER ECO-10-000449	REVISED PER ECO-10-000449
ECO-10-000449	ECO-10-000449

REV	DATE	DESCRIPTION	BY	CHK	APP
1	06/01/00	INITIAL	AW	AW	AW
2	06/01/00	REV PER ECO-09-023028	AW	AW	AW
A2	11/JAN/10	REVISED PER ECO-10-000449	AW	AW	AW



SUGGESTED PANEL CUTOUT DIMENSIONS
SCALE 3:1

- MATERIAL: HOUSING - PCT POLYESTER, BLACK, UL 94V-0
TERMINALS: 0.305 THICK PHOS BRONZE PLATED WITH .0013mm MINIMUM THICK HARD GOLD IN LOCALIZED AREA AND .002mm MINIMUM THICK MATTE TIN IN SOLDER AREA OVER .0013mm MINIMUM THICK NICKEL UNDERPLATE
SHIELD - .196 THICK COPPER ALLOY PLATED WITH .0013mm MINIMUM NICKEL AND .002mm MINIMUM HOT TIN DIP ON PCB GROUND TABS
 - JACK CAVITY CONFORMS TO FCC RULES AND REGULATIONS, PART 68 SUBPART F
 - PCB HOLES/TABS USED FOR -3
 - PCB HOLES/TABS USED FOR -2 AND -4
 - USE #30 DRILL BIT OR 3.25mm DRILL BIT WHEN PRODUCING THESE PCB HOLES
 - RECOMMENDED APPLICATIONS: FAST ETHERNET, 10 BASE-T ETHERNET, AND 10/100 BASE-T ETHERNET (CAT 5 TWO PAIR 1/2, 3/6)
- ⚠️ OBSOLETE PARTS: OBSOLETE CIS STREAMLINING PER D.RENUJ/D.SMSH



PC BOARD VIEWED FROM COMPONENT SIDE OF BOARD
SCALE 4:1

DIM B	NUMBER OF REAR PCB TABS	DIM A	PART NO.
3.68	3	3.56	6339167-4
4.57	1	3.56	6339167-3
4.57	3	3.56	6339167-2
4.57	0	3.05	6339167-1

⚠️ OBSOLETE

PART NO. 100-1143-3 REV. 1 DATE 11/1/2008 CUSTOMER DRAWING	TITLE ASSEMBLY MULTI-PORT 1x4, 8 POSITION SHIELDED, WAVE PANEL GROUND PART NO. 100-1143-3 REV. 1 DATE 11/1/2008 CUSTOMER DRAWING	DATE 11/1/2008 DRAWN BY AW CHECKED BY AW APPROVED BY AW	TITLE ASSEMBLY MULTI-PORT 1x4, 8 POSITION SHIELDED, WAVE PANEL GROUND PART NO. 100-1143-3 REV. 1 DATE 11/1/2008 CUSTOMER DRAWING
---	--	--	--