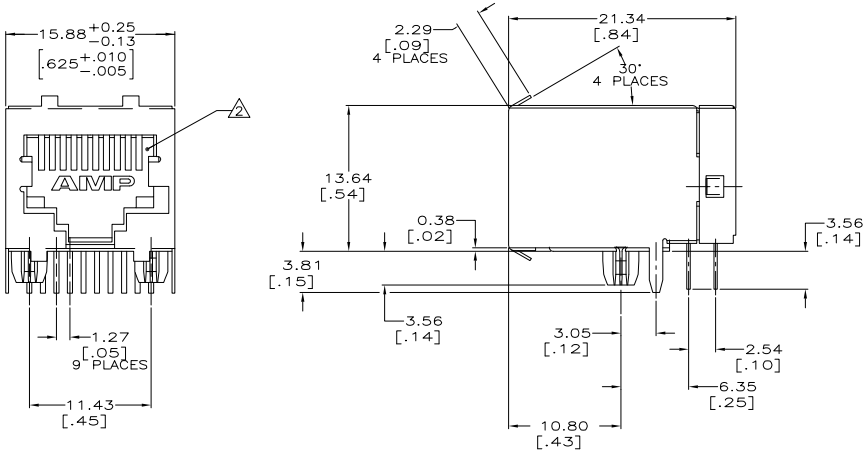


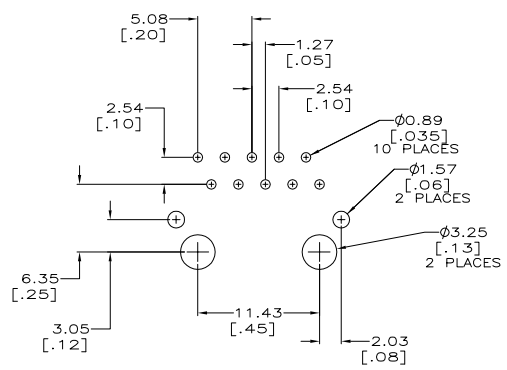
THIS DRAWING IS UNPUBLISHED.
 RELEASED FOR PUBLICATION
 © COPYRIGHT BY TYCO ELECTRONICS CORPORATION. ALL RIGHTS RESERVED.

LOC	DIST	REVISIONS			
P	UR	DESCRIPTION	DATE	DR	APPD
AA	22				
B1		REV PER ECR-09-004284	16APR2009	TY	SY

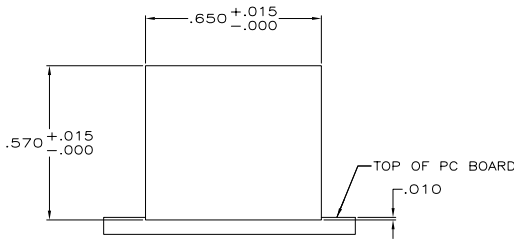


- MATERIALS:
 HOUSING - PCT POLYESTER, BLACK, IR REFLOW COMPATIBLE, UL 94V-0.
 TERMINALS 0.33 [0.13] THICK PHOS BRONZE PLATED WITH 1.27µm [0.00050] HARD GOLD IN LOCALIZED AREA AND 3.81µm [0.00150] MATTE TIN IN SOLDER AREA OVER 1.27µm [0.00050] MINIMUM THICK NICKEL UNDERPLATE.
 SHIELD - 0.25 [0.10] THICK COPPER ALLOY PLATED WITH 1.27µm [0.00050] MINIMUM NICKEL AND 2.03µm [0.00080] MINIMUM HOT TIN DIP ON PCB GROUND TABS.

△ JACK CAVITY CONFORMS TO FCC RULES AND REGULATIONS, PART 68 SUBPART F.



SUGGESTED PC BOARD LAYOUT
 VIEW SHOWN IS TOP (COMPONENT SIDE) OF PC BOARD



SUGGESTED PANEL CUTOUT

5558070-1
 PART NUMBER

THIS DRAWING IS A CONTROLLED DOCUMENT.		DR: S. MAYBERRY / J. A. MAYER	25MAR2005	Tyco Electronics Corporation Harrisburg, Pa 17105-3608
DIMENSIONS: mm		CHK: J. WESTMAN	25MAR2005	
OTHER DIMENSIONS SPECIFIED:		DR: S. SELICKINGER	25MAR2005	MODULAR JACK ASSEMBLY, 10 POSITION SIDE ENTRY, LOW PROFILE, FULLY SHIELDED, PANEL GROUND
0 P/C # - 1 P/C # - 2 P/C # 0.25 [0.1] 3 P/C # 0.13 [0.005] 4 P/C # - ANGLES # -		PRODUCT SPEC: 108-1163	APPLICATION SPEC: 114-2048	
MATERIAL: SEE NOTE 1		FINISH: SEE NOTE 1	WEIGHT: -	SIZE: A2
		CASE CODE (DRAWING NO): 00779		RESTRICTED TO: -
		CUSTOMER DRAWING		SCALE: 4:1
				SHEET: 1 of 1
				REV: B1

5558070