

4

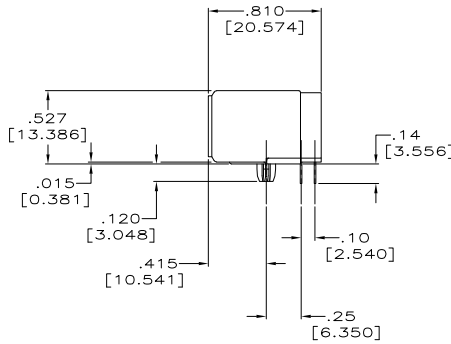
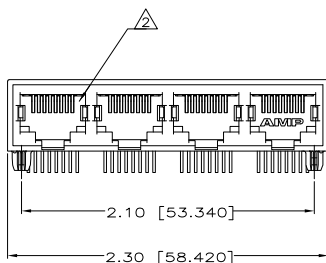
3

2

1

THIS DRAWING IS UNPUBLISHED. RELEASED FOR PUBLICATION  
 © COPYRIGHT BY TYCO ELECTRONICS CORPORATION. ALL RIGHTS RESERVED.

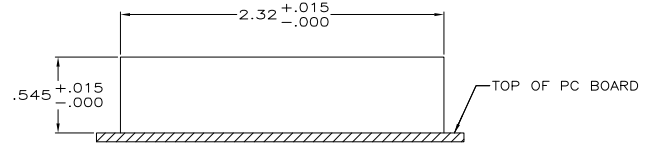
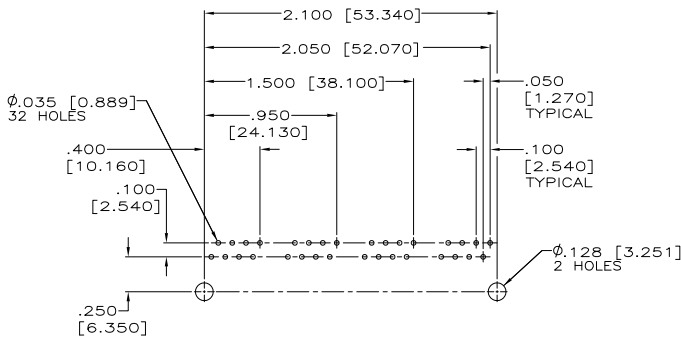
LOC	DIST	REVISIONS			
F	LNK	DESCRIPTION	DATE	BY	APPD
AA	22	REV PER EC 0511-0201-04	10JUN2005	GA	SF



△ MATERIAL: HOUSING - HTN NYLON, BLACK, IR REFLOW PROCESSING COMPATIBLE, UL 94V-0. TERMINALS - .013[0.33] THICK PHOS BRONZE PLATED WITH .000050[1.27µm] THICK HARD GOLD IN LOCALIZED AREA AND .000150[3.81µm] THICK MATTE TIN IN SOLDER AREA OVER .000050[1.27µm] THICK NICKEL UNDERPLATE.

△ JACK CAVITY CONFORMS TO FCC RULES AND REGULATIONS, PART 68 SUBPART F.

3. ALL DIMENSIONS SHOWN ARE NOMINAL UNLESS OTHERWISE SPECIFIED.
4. ALL DIMENSIONS SHOWN IN BRACKETS [ ] ARE IN MILLIMETERS.



SUGGESTED PANEL CUTOUT

SUGGESTED PC BOARD LAYOUT  
 COMPONENT SIDE  
 SEE APPLICATION SPECIFICATION

5557562-1  
 PART NO.

THIS DRAWING IS A CONTROLLED DOCUMENT.		DR: G. ATTADA - 10JAN2005	Tyco Electronics Corporation	
		CHK: J. WESTMAN - 03DEC04	Harrisburg, PA 17105-3608	
		APP: J. WESTMAN - 10JAN2005	Tyco Electronics	
DIMENSIONS: Inches [mm]		DESIGNER: S. FLICKINGER	MODULAR JACK ASSEMBLY, FOUR PORT, 8 POSITION, RIGHT ANGLE	
TOLERANCES UNLESS OTHERWISE SPECIFIED:		PRODUCT SPEC: 108-1392	RESTRICTED TO: -	
0. PLC	A -	APPLICATION SPEC: 114-2048	SIZE: CASE CODE: DRAWING NO: A2 00779 ©-5557562	
1. PLC	B -	WEIGHT: -	SCALE: 2:1 SHEET 1 OF 1 REV A	
2. PLC	B ±0.005(0.127)	CUSTOMER DRAWING		
3. PLC	B ±.002(0.127)			
4. PLC	B ±.001(0.127)			
ANGLES	B ±.001(0.127)			
FINISH	B ±.001(0.127)			

5557562

B

A