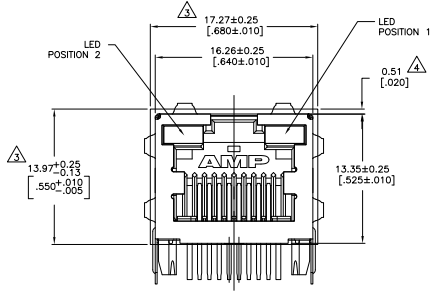
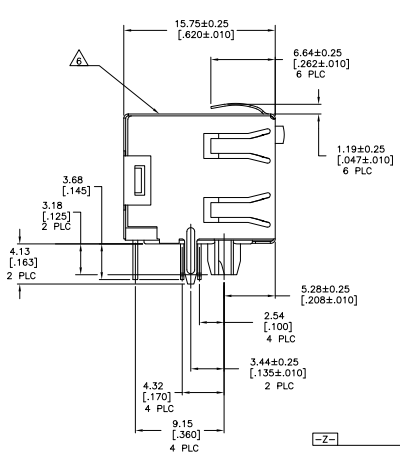
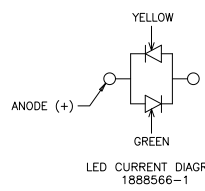
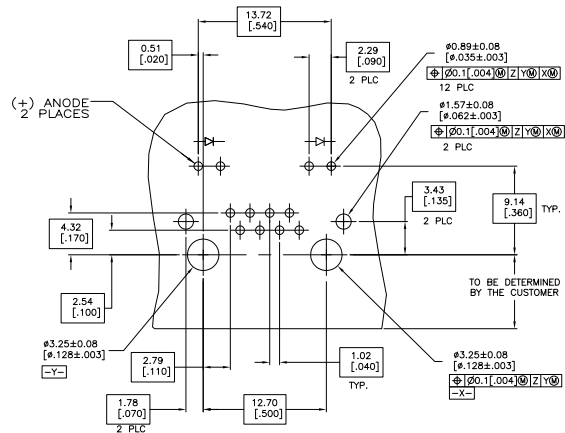


REV	DATE	DESCRIPTION	BY	CHK	APP
AA	00				
C1	08-01-1486				



- △ MATERIAL: HOUSING - HIGH TEMPERATURE THERMOPLASTIC, BLACK, UL94V-0.
 TERMINALS - 0.36[.014] THICK PHOS BRONZE PLATED WITH 3.81µm[.000150] MINIMUM THICK MATTE TIN IN SOLDER AREA. 1.27µm[.000050] MINIMUM GOLD IN LOCALIZED PLATE AREA. ENTIRE TERMINAL PLATED WITH 1.27µm[.000050] MINIMUM THICK NICKEL.
 SHIELD - 0.196[.0077] THICK COPPER ZINC ALLOY PREPLATED WITH 1.27µm[.000050] MINIMUM SATIN NICKEL WITH 2.03µm[.000080] MINIMUM TIN POST DIPPED ON PCB GROUND TABS.
 LIGHT EMITTING DIODE (LED) - DIFFUSED EPOXY LENS. 0.51 x 0.51[.020 x .020] CARBON STEEL WIREFRAME LEADS - 8.89µm[.000350] THICK Sn/Cu OVER 2.03µm[.000080] THICK Ag OVER 1.02µm[.000040] THICK Cu OVER 3.56µm[.000140] THICK Ni OVER 1.02µm[.000040] THICK Cu UNDERPLATE.
- JACK CAVITY CONFORMS TO FCC RULES AND REGULATIONS PART 68, SUBPART F.
 - SUGGESTED PANEL OPENING DIMENSIONS.
 - SUGGESTED CLEARANCE BETWEEN TOP OF CONNECTOR AND TOP PANEL OPENING.
 - THIS MODULAR JACK WITH INTEGRATED LED IS NOT IR REFLOW SOLDERING PROCESS COMPATIBLE.
 - MANUFACTURING DATE CODE: LOCATED APPROX. AS SHOWN. FIRST 2 DIGITS = LAST 2 DIGITS OF YEAR. NEXT 2 DIGITS = MANUFACTURING WORK WEEK. LAST DIGIT = DAY OF WEEK WITH SUNDAY = 1.



SUGGESTED PRINTED CIRCUIT BOARD LAYOUT (COMPONENT SIDE)

INDICATOR COLOR	POSITION 1	POSITION 2	PART NUMBER
YELLOW			1888566-2
YELLOW/GREEN			1888566-1
GREEN			1888566-2
YELLOW/GREEN			1888566-1

THIS DRAWING IS A CONTROLLED DOCUMENT.		TYS ELECTRONICS CORPORATION	
DESIGNED BY	APPROVED BY	DATE	REV
108-1163-4		114-2154	
REVISED BY	REVISED DATE	REVISED BY	REVISED DATE
SEE NOTE 1	SEE NOTE 1	CUSTOMER DRAWING	1007791G-1888566