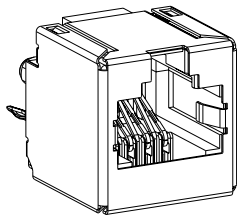
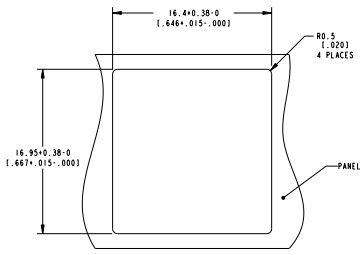
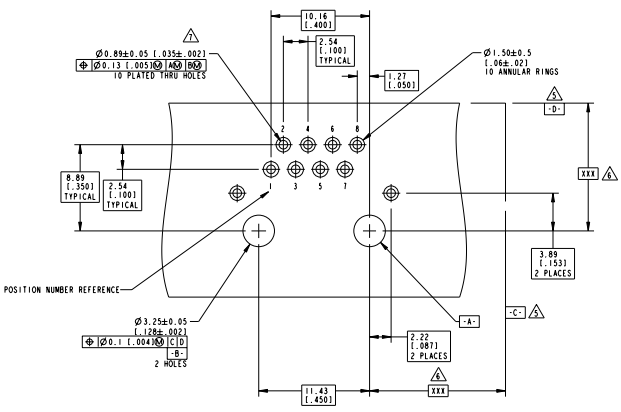
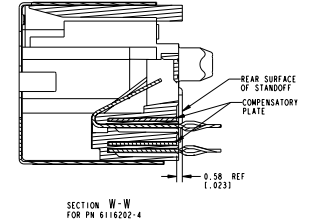
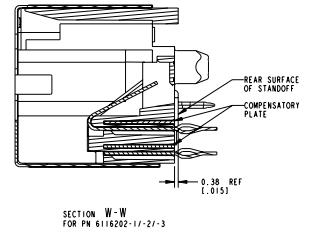
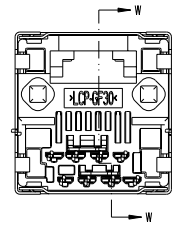
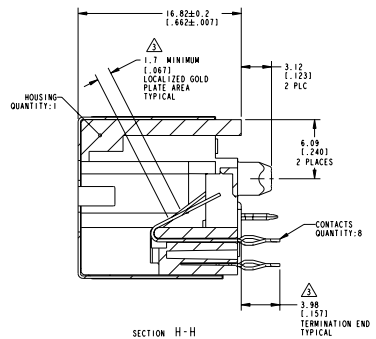
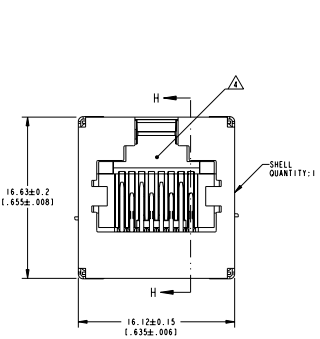


REV	DATE	DESCRIPTION	BY	CHKD	APPV
B	REV PER ECO-05-014974		ANDREWS	RG	SF
C	REV PER ECO-07-004617		ZIMMERMAN	RG	JW
D	ECO-07-010426		HANCOCK	LAN	JW
D2	ECO-10-011034		HANCOCK	LAN	ST



- △ THERMOPLASTIC.
- △ PHOSPHOR BRONZE
- △ 1.27 um (.000050) MIN GOLD IN LOCALIZED GOLD PLATE AREA, 2 um (.000079) MIN WHITE TIN ON TERMINATION END, BOTH OVER 1.27 um (.000050) MIN NICKEL.
- △ CAVITY CONFORMS TO FCC 47 CFR 68 PART F.
- △ DATUMS ESTABLISHED BY CUSTOMER.
- △ DIMENSIONS ESTABLISHED BY CUSTOMER.
- △ DRILLED HOLE DIAMETER 1.02±0.03 (L. 040±.001). COPPER TIN: 0.03±0.00 (L. 001-.003). TIN THICKNESS 0 um (.000315) MIN.
- △ COPPER ZINC ALLOY
- △ 2.03 um (.000080) MIN BRIGHT TIN OVER 1.27 um (.000050) MIN NICKEL
- △ PC BOARDS GREATER THAN 1.53 (L. 062) IN THICKNESS MAY REQUIRE SPECIAL EXTRACTION TOOLING. CONSULT ENGINEERING.
- △ PACKAGED 29 PIECES PER TUBE
- △ PACKAGED 27 PIECES PER TUBE

△	COLOR	PART NUMBER
△	BLACK	6116202-4
△	NATURAL	6116202-3
△	NATURAL	6116202-2
△	BLACK	6116202-1

DATE: 11-14-2005	BY: J. W. HANCOCK	APPV: R. G. SIMON	DATE: 11-14-2005	BY: J. W. HANCOCK	APPV: R. G. SIMON
DESCRIPTION: MODULAR JACK ASSEMBLY, VERTICAL, COMPLIANT P10, SHIELDED, 8 POSITION, CATEGORY 5	DATE: 11-14-2005	BY: J. W. HANCOCK	APPV: R. G. SIMON	DATE: 11-14-2005	BY: J. W. HANCOCK
REV: A	ECO: 00778	ECO: 6116202	ECO: 6116202	ECO: 6116202	ECO: 6116202