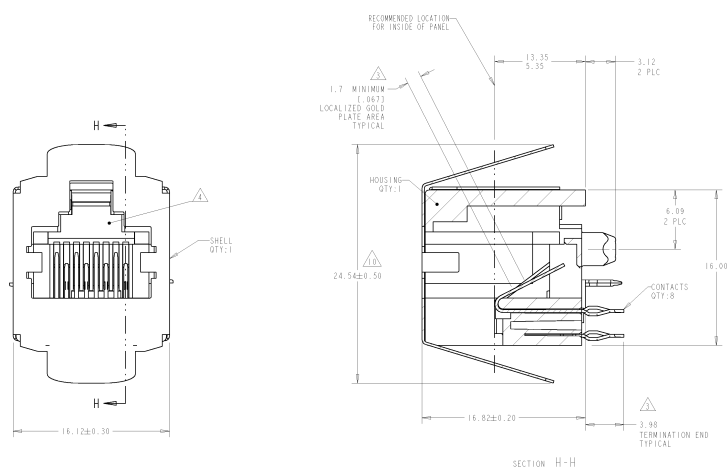
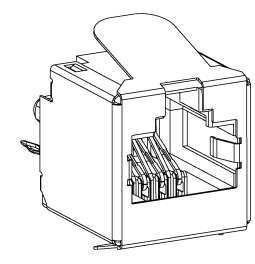
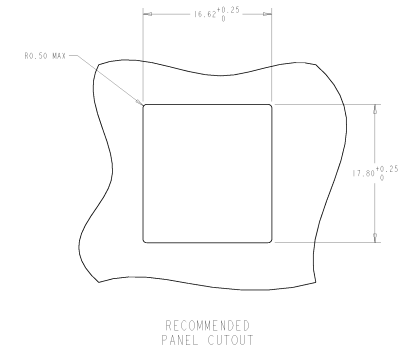
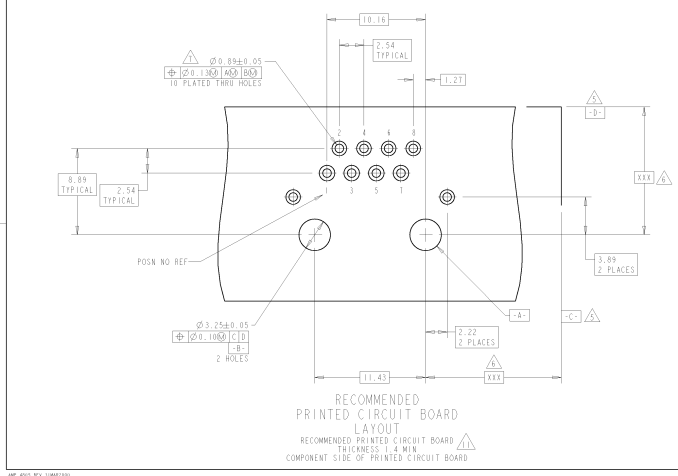


REV	DATE	DESCRIPTION
1		INITIAL RELEASE
2		REVISED PER CUSTOMER
3		REVISED PER CUSTOMER
4		REVISED PER CUSTOMER
5		REVISED PER CUSTOMER
6		REVISED PER CUSTOMER
7		REVISED PER CUSTOMER
8		REVISED PER CUSTOMER

REV	DATE	DESCRIPTION	DATE	INIT	APP
AA	22	REVISED PER EC 8511-0201-04			



- △ THERMOPLASTIC, COLOR-BLACK.
- △ PHOSPHOR BRONZE
- △ 1.27µm MIN GOLD IN LOCALIZED GOLD PLATE AREA, 2µm MIN MATTE TIN ON TERMINATION END, BOTH OVER 1.27µm MIN NICKEL.
- △ CAVITY CONFORMS TO FCC 47 CFR 68 PART F.
- △ DATUMS ESTABLISHED BY CUSTOMER.
- △ DIMENSIONS ESTABLISHED BY CUSTOMER.
- △ DRILLED HOLE DIAMETER 1.02±0.03, COPPER THK 0.03±0.08, TIN THICKNESS 6µm MIN.
- △ COPPER ZINC ALLOY.
- △ 2.03µm MIN BRIGHT TIN OVER 1.27µm MIN NICKEL.
- △ DIMENSION AFTER HOUSING ASSEMBLY INSTALLED IN RECOMMENDED PANEL CUTOUT 15.2mm MAX.
- △ IF BOARDS GREATER THAN 1.57mm MAY REQUIRE SPECIAL EXTRACTION TOOLING, CONSULT ENGINEERING.



6116418-1
PART NUMBER

MILITARY DRAWING		REVISIONS		DATE		INIT		APP	
REV	DATE	DESCRIPTION	DATE	INIT	APP	REV	DATE	DESCRIPTION	DATE
1		INITIAL RELEASE				1		INITIAL RELEASE	
2		REVISED PER CUSTOMER				2		REVISED PER CUSTOMER	
3		REVISED PER CUSTOMER				3		REVISED PER CUSTOMER	
4		REVISED PER CUSTOMER				4		REVISED PER CUSTOMER	
5		REVISED PER CUSTOMER				5		REVISED PER CUSTOMER	
6		REVISED PER CUSTOMER				6		REVISED PER CUSTOMER	
7		REVISED PER CUSTOMER				7		REVISED PER CUSTOMER	
8		REVISED PER CUSTOMER				8		REVISED PER CUSTOMER	
9		REVISED PER CUSTOMER				9		REVISED PER CUSTOMER	
10		REVISED PER CUSTOMER				10		REVISED PER CUSTOMER	