

4

3

2

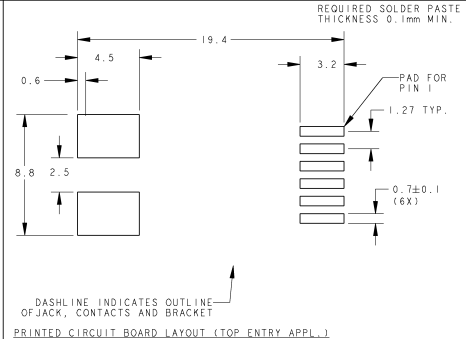
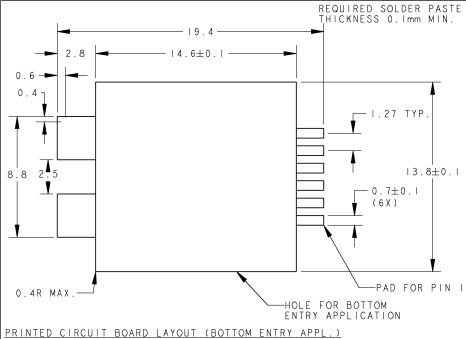
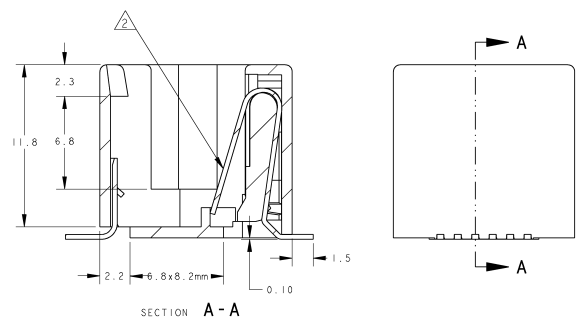
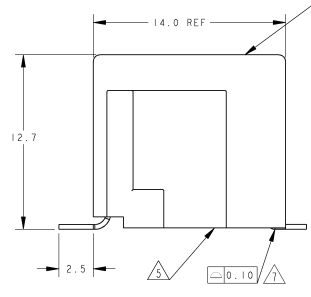
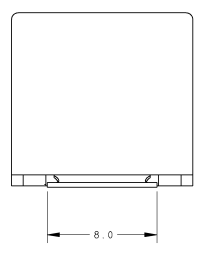
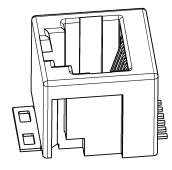
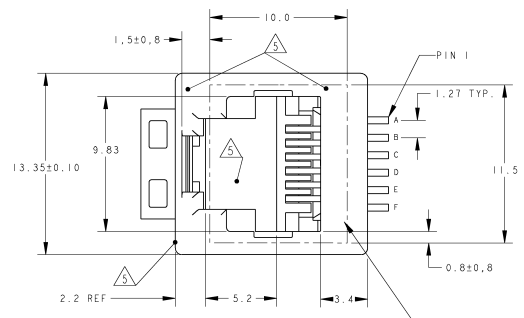
1

THIS DRAWING IS UNPUBLISHED. RELEASED FOR PUBLICATION. COPYRIGHT BY TYCO ELECTRONICS CORPORATION. ALL RIGHTS RESERVED.

REV	DATE	BY	CHKD	DESCRIPTION
U	18OCT0005	PM	JB	ECR-05-013336
V	26JUL2001	PCB	TdB	ECR-01-011392
V1	09JAN10	KK	AEG	REVISED PER ECO-10-000445

NOTES:

- 1 TOLERANCES UNLESS OTHERWISE SPECIFIED: ±0.15.
- CONTACT PLATING:
1.27µm MIN. GOLD SELECTIVE IN CONTACT AREA,
OVER 1.27µm MIN. NICKEL,
3.5-5.0µm MIN. MATTE TIN ON SOLDER TINES.
- MATERIALS:
HOUSING: 30X G.F. PA 9T, COLOR BLACK, UL 94V-0.
CONTACTS: PHOSPHOR BRONZE
SOLDER BRACKET: TINPLATED BRASS WITH NICKEL UNDERPLATE.
- THIS JACK CAN ALSO BE APPLIED HANGING THROUGH A HOLE,
IN A PRINTED CIRCUIT BOARD. SEE LEFT PCB LAYOUT.
- SURFACE CAN BE USED FOR PICKING THE MODULAR JACK WITH
TYPE 11 SMD MACHINE.
- ON 1-338086-4 AND 2-338086-4 ONLY CONTACTS B,C,D & E
ARE INSTALLED.
- COPLANARITY MEASURED AT REEL OF CONTACTS
COPLANARITY AT TIPS OF CONTACTS MAX. 0.18 mm
- TAPE AND REEL PACKAGING ACCORDING TO EIA 481-3 SPECIFICATIONS.
- INCLUDES KAPTON TAPE (10x11.5mm)
ON TOP SURFACE AS PICK AND PLACE FEATURE.
- OBsolete PARTS: OBSOLETE CIS STREAMLINING PER D.RENAUD/D.SINISI



OBsolete	6 POS./6 CONT.	750 PCS ON Ø56mm OD REEL BOTTOM ENTRY ORIENTATION PER DETAIL B2	2-338086-5
	6 POS./4 CONT.	750 PCS ON Ø56mm OD REEL TOP ENTRY ORIENTATION PER DETAIL B1	2-338086-4
	6 POS./6 CONT.	300 PCS ON Ø36mm OD REEL TOP ENTRY ORIENTATION PER DETAIL B1	2-338086-3
	6 POS./6 CONT.	300 PCS ON Ø36mm OD REEL TOP ENTRY ORIENTATION PER DETAIL B2	1-338086-7
	6 POS./6 CONT.	300 PCS ON Ø36mm OD REEL BOTTOM ENTRY ORIENTATION PER DETAIL B2	1-338086-6
	6 POS./4 CONT.	300 PCS ON Ø36mm OD REEL TOP ENTRY ORIENTATION PER DETAIL B1	1-338086-5
	6 POS./6 CONT.	300 PCS ON Ø36mm OD REEL TOP ENTRY ORIENTATION PER DETAIL B1	1-338086-4
	6 POS./6 CONT.	300 PCS ON Ø36mm OD REEL TOP ENTRY ORIENTATION PER DETAIL B1	1-338086-3

REMARKS	PACKAGING	PART NUMBER

DATE	22-Nov-96	APPROVED	Tyco Electronics
BY	E. W. ELIJN	DATE	DEC. '96
CHKD	E. SILLINGA	Tyco Electronics Nederland B.V. 's-Hertogenbosch, The Netherlands	
DIMENSIONS:	mm	INVERTIBLE MODULAR JACK ASSEMBLY FOR SURFACE MOUNT APPLICATION 6/6 AND 6/4 POSITION LINE	
TOLERANCES UNLESS OTHERWISE SPECIFIED:	0 PLC ± 1 PLC ± 2 PLC ± 3 PLC ± 4 PLC ±	FILE	CAGE CODE DRAWING NO
MATERIAL	SEE NOTE 3	114-19041	A200779
FINISH	SEE NOTE 2	WEIGHT	1.83 gr
		CUSTOMER DRAWING	SCALE 5:1 SHEET 1 of 2 REV V1

C-338086

4

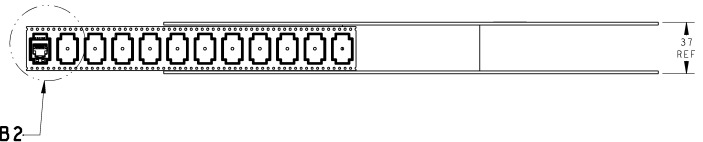
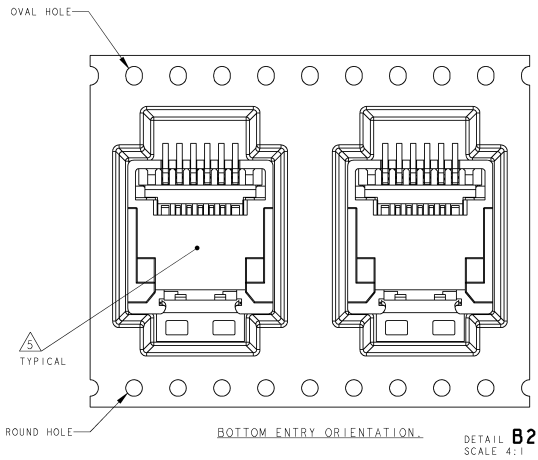
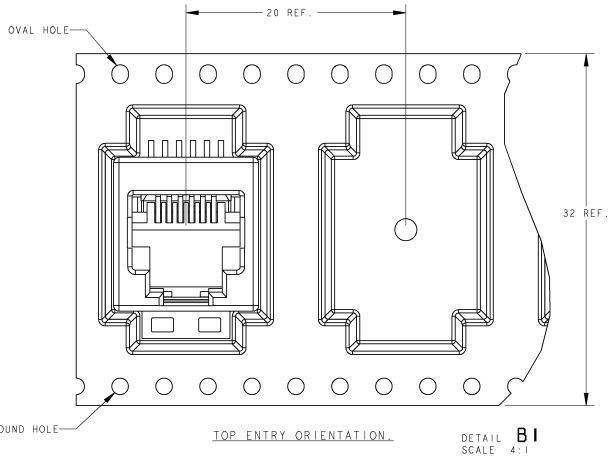
3

2

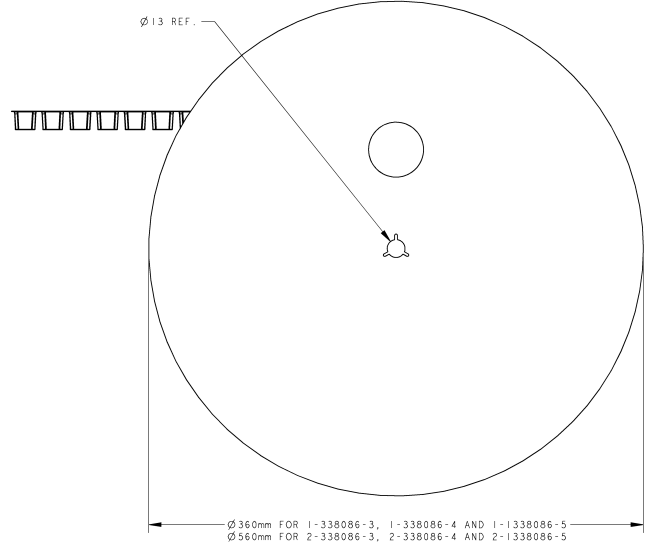
1

THIS DRAWING IS UNPUBLISHED. RELEASED FOR PUBLICATION
 BY TYCO ELECTRONICS CORPORATION. ALL RIGHTS RESERVED.

LOC	DIST	REVISIONS			
P	LTN	DESCRIPTION	DATE	OWN	APPD
-	-	SEE SHEET 1	-	-	-



SEE DETAIL **B1** & **B2**



<small>THIS DRAWING IS UNPUBLISHED. RELEASED FOR PUBLICATION BY TYCO ELECTRONICS CORPORATION. ALL RIGHTS RESERVED.</small>		<small>DATE</small> 15-Oct-96 <small>DRW</small> M. W. ESSEN <small>CHK</small> E. SIJLLINGA <small>APPD</small> B. SWETS <small>NAME</small> E. SIJLLINGA <small>PRODUCT SPEC</small> <small>APPLICATION SPEC</small> <small>WEIGHT</small> <small>CUSTOMER DRAWING</small>	<small>TYCO ELECTRONICS</small> Tyco Electronics Nederland B.V. 's-Hertogenbosch, The Netherlands
<small>DIMENSIONS:</small> mm <small>0 P/LC</small> ± <small>1 P/LC</small> ± <small>2 P/LC</small> ± <small>3 P/LC</small> ± <small>4 P/LC</small> ± <small>ANGLES</small> <small>FINISH</small>	<small>TOLERANCES UNLESS OTHERWISE SPECIFIED</small> <small>0 P/LC</small> ± <small>1 P/LC</small> ± <small>2 P/LC</small> ± <small>3 P/LC</small> ± <small>4 P/LC</small> ± <small>ANGLES</small> <small>FINISH</small>	<small>SHEET</small> A2 <small>CAGE CODE</small> 00779 <small>DRAWING NO</small> C=338086 <small>SCALE</small> 5:1 <small>SHEET</small> 2 OF 2 <small>REV</small> V1	<small>RESTRICTED TO</small>

AMP 1471-9 REV 31MAR2000

C-338086