

4

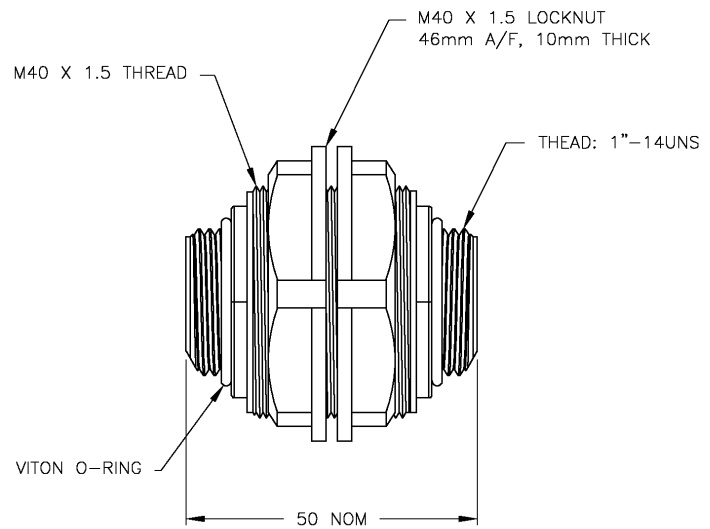
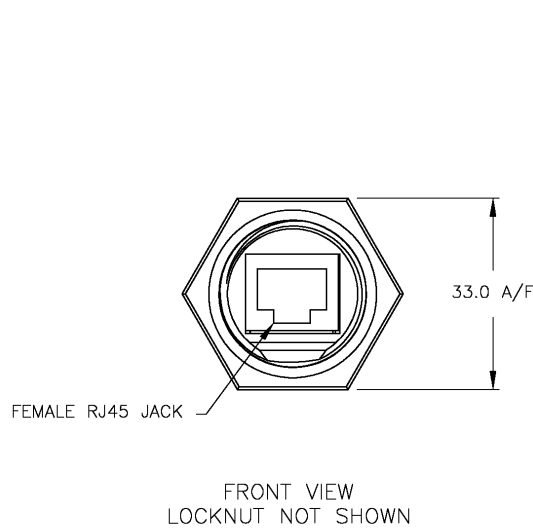
3

2

1

THIS DRAWING IS UNPUBLISHED. RELEASED FOR PUBLICATION
 © COPYRIGHT - BY TYCO ELECTRONICS CORPORATION. ALL RIGHTS RESERVED.

LOC	DIST	REVISIONS				
P	LTR	DESCRIPTION	DATE	DWN	APVD	
FT	0	A	REVISED PER OG3B-0480-04	6/7/04	SS HW	



RECOMMENDED MAX PANEL THICKNESS: 6mm

1546641-1
PART NO.

THIS DRAWING IS A CONTROLLED DOCUMENT.		DWN S SCHLEGEL 24MAR2003	Tyco Electronics Corporation Harrisburg, Pa 17105-3608	
DIMENSIONS: mm		CHK H WAKEEM 3/24/03	NAME	
TOLERANCES UNLESS OTHERWISE SPECIFIED: 0 PLC ± 0.5 1 PLC ± 0.25 2 PLC ± 0.1 3 PLC ± - 4 PLC ± - ANGLES ± 1°		APVD H WAKEEM 3/24/03	RJ-LNXX THREADED THROUGH PANEL INTERCONNECT (M40)	
MATERIAL	FINISH	PRODUCT SPEC	SIZE	CAGE CODE
-	-	APPLICATION SPEC	A3	00779
		WEIGHT	DRAWING NO	RESTRICTED TO
		-	1546641	-
CUSTOMER DRAWING			SCALE	SHEET
			NTS	1 OF 1
			REV	A