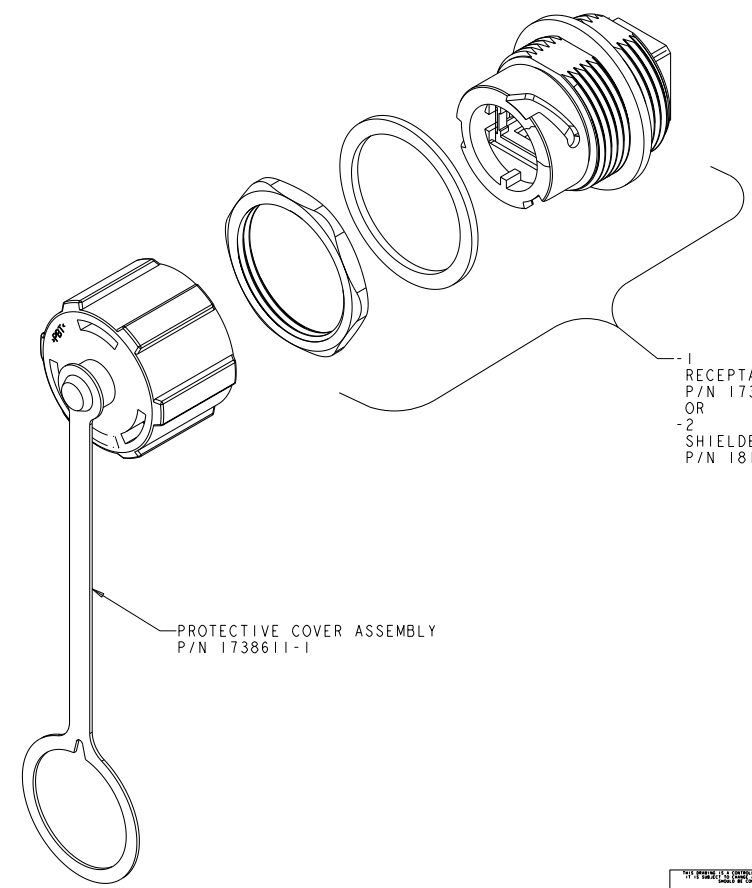


REV	DATE	BY	APPD
A	26SEP2007	SM	MS
B	06APR2009	SS	MS
C	07JUN2010	RG	SM



1 RECEPTACLE KIT
P/N 1738601-1
OR
2 SHIELDED RECEPTACLE KIT
P/N 1811689-1

PROTECTIVE COVER ASSEMBLY
P/N 1738611-1

YES	1986280-2
NO	1986280-1
SHIELDED RECEPTACLE	PART NUMBER

DIMENSIONS:		DRAWN		DATE	
mm		S. WELDON		26SEP2007	
TOLERANCES UNLESS OTHERWISE SPECIFIED:		CD. WELDON		26SEP2007	
0 PLC .05		M. STRECKEWAHD		26SEP2007	
1 PLC .05		M. STRECKEWAHD		26SEP2007	
2 PLC .10		M. STRECKEWAHD		26SEP2007	
3 PLC .05		M. STRECKEWAHD		26SEP2007	
4 PLC .05		M. STRECKEWAHD		26SEP2007	
ANGLES .0001		M. STRECKEWAHD		26SEP2007	
MATERIAL		FINISH		WEIGHT	
-		-		-	
CUSTOMER DRAWING		SCALE		2:1	
SHEET		OF		1	
REV		C		1	