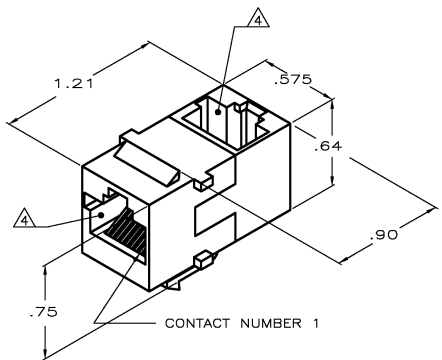
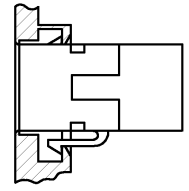


THIS DRAWING IS UNPUBLISHED. RELEASED FOR REVISION. ALL RIGHTS RESERVED.
 © copyright BY Tyco Electronics Corporation.

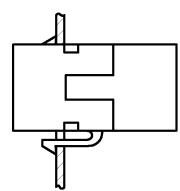
REV	DATE	DESCRIPTION	BY	CHK	APPD
00					
D		REDWN/REV-EC 0840-0256-02			03DEC02 LH SH



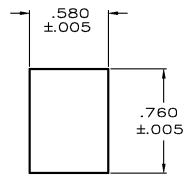
1. ALL DIMENSIONS SHOWN ARE MAXIMUM UNLESS OTHERWISE SPECIFIED.
 2. MATERIAL:
 HOUSING - POLYPHENYLENE OXIDE, BLACK.
 TERMINAL - .018 DIA PHOSPHOR BRONZE PLATED WITH .000050 MINIMUM THICK GOLD OVER .000050 MINIMUM THICK NICKEL.
 3. MOUNTING PANEL THICKNESS .062 NOMINAL.
- CAVITIES SHALL CONFORM TO FCC RULES AND REGULATIONS, PART 68, SUBPART F.



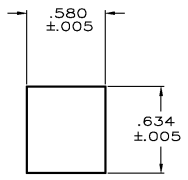
DOUBLE WALL PLATE
NOT TO SCALE



SINGLE WALL PLATE



RECOMMENDED PANEL CUTOUT FOR SINGLE WALL PLATE AND BACK PANEL FOR DOUBLE WALL PLATE



RECOMMENDED FRONT PANEL CUTOUT FOR DOUBLE WALL PLATE

555377-1
PART NO.

THIS DRAWING IS A CONTROLLED DOCUMENT.		DR	HALL	120002	Tyco Electronics Corporation Harrisburg, PA., 17105-3608			
DIMENSIONS: INCHES		CHK	HERNDON	130002				
TOLERANCES UNLESS OTHERWISE SPECIFIED:		APPD	HERNDON	130002	COUPLER ASSEMBLY, 8 POSITION, RIGHT ANGLE, KEYED			
0 PLC ±.005		PRODUCT SPEC						
1 PLC ±.005		APPLICATION SPEC			SIZE	DATE CODE	DRAWING NO	RESTRICTED TO
2 PLC ±.005					A2	00779	555377	
3 PLC ±.005					CUSTOMER DRAWING		SCALE	2:1
4 PLC ±.005							SHEET	1 OF 1
MATERIAL							REV	D
FINISH								

IMP 1471-9 REV 31MR0200

I:\dev\workspace\drawings\custmr2.dwg

555377