

MATERIAL:
 Shell: PA 66 UL94 V0
 Insert: PA 66 UL94 V0
 Seal gasket: Silicone

PERFORMANCE CHARACTERISTICS :
 Operating temperature: -40°C up to 85°C
 Corrosion salt spray: 500 hours salt spray
 Durability: 250 matings and unmatings
 Sealing : IP67
 RJ45 component : Cat 5 E

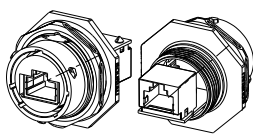
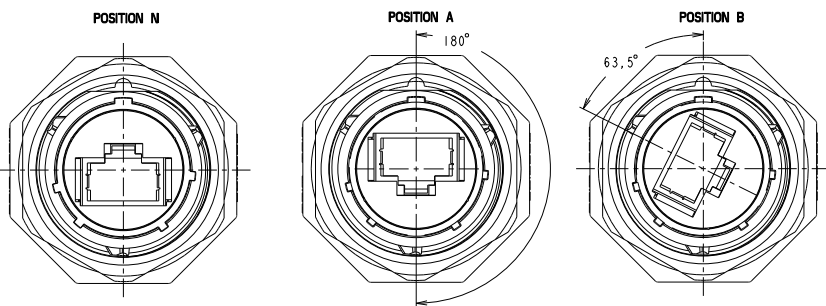
NOTES

UTS7 18 RJ F *

Receptacle UTS
 Shell size
 Insert arrangement
 Feedthru

Insert polarisation:
 N : standard version
 A,B: Different orientations

**POLARIZATION
 ALTERNATIVE KEY WAY POSITIONS**



Q	06/05/08	First issue	
ISS. DATE	--	Latest modification by: M. RAGAZZINI	MOD. N°
Designed by:	M. RAGAZZINI	Date: 05/05/08	CUSTOMER DRAWING
TITLE	CONNECTOR UTS RJ 45 CAT5 EQUIPMENT		
Scale	1/1	General linear Tolerances: ±0.2	NPRDS / PROJECT UTSI
FORMAT	A2	SOURIAU DRG N° UTS718RJF-X-C	This document is the property of SOURIAU. It must not be reproduced or communicated without permission.
			SHEET 1 / 1