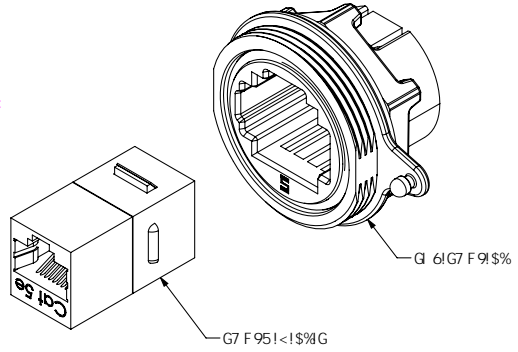
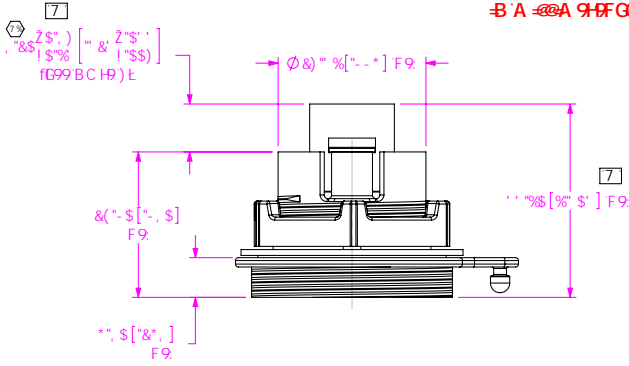


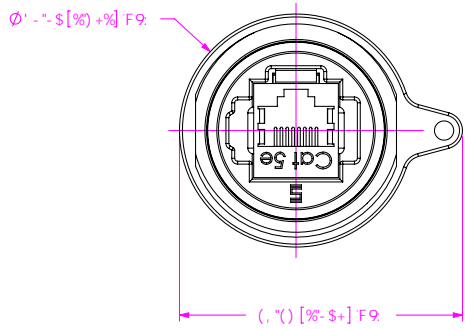
F9J €€ B 7

89G: B98 / 8-A 9BGC B98
 -B A -@A 9HDF G3B7 <9Q

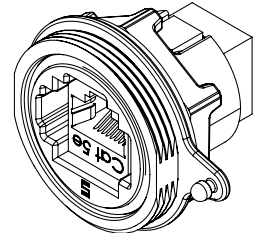
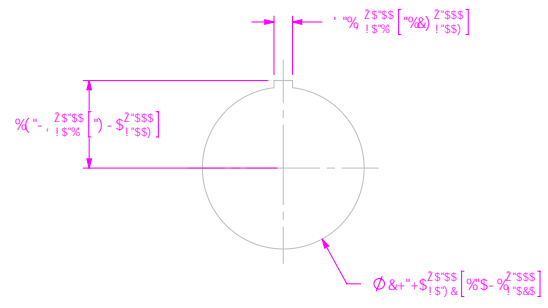
G7 F9! \$%



8C BCH
 G7 5@: FCA
 H-6DF BH



F97 C A A 9B 898 D5 B 9@<C @
 F099 B C H 7 ' E



BC H@G
 % () F0DF 909B H E 5 : 7 F H 7 5 @ 8 A 9B GC B *
 & 5 G39A 6@MHC A 99H1 @- (JIC)
 * D5B9@Hk-? B9GG S' Os' Ql) *80&s) Q
 (* HC FE I 9 QD97 = 7 5HC B : CF B I HC B G7 F9 S% G% & B166"
) * G7 F95 A I GH69: I @MB G9FH8 BHC G 6/G7 F9 69: CF9A 95G FB: "

<p>I B@9G: C H: 9K 49 QD97 + 982 8 A 9B GC B G5 F 9 B A @A 9HDF G HC @F5B7 9G 5 F9. 897 A 5@G 5B: @G *L ±S' OS'Q & * *LL ±S' OS) Q *LLL ±S' S) %OS&SQ</p>	<p>DFC DF 9H6 FMBC H H: 4BC 71 A 9H7 C B H 4 G 4: CFA 5HC B TCB 4@HNS B B DFC F @E F@E @A H7 2 7 * 5B8 G: 5@BCH 69 F 9 C B I 7 9B CF H 5B G 9 F 9B H C H 9 F BC 71 A 9B H C F B 4 F H C 9B H C H 9 G C F 1 0B: CF 5B M D FDC 9 C H 9 F H 5 B H 5 H K - 2 < H K S G C 4B 4 9B K H C I H 4 9 L D F 9 C B B K F H B T C B 9 B H C: @A H 7 2 B 7</p>	<p>samtec) & S D5 F 7 95 GH 6 @ 82 B 9K 5 065 B M 2 B (+) S D<C B 9: 9@- ((1' + 5L. , 9@- () S (+ YIA UJ. 7: 2-4 GSA H7 "Wz a Wc XY.)) &&</p>
<p>A 5H F 6 @ C F I % ! S % G @ 7 C B 9 D 6 A 1 % ! S & D 5 * * @D: 1 % ! S % G @ 7 C B 9 @ B I % ! S % D 5 * *</p>	<p>8C B C H G 5 49 8 F 5 K B: G 7 F 9 5 ! < 1 \$ % G B G @ 5 H C F: D 6 H G 7 F 9 5 ! < 1 \$ % G 7 C B H 6 7 H G D < C G 6 F C B N 9 G 7 F 9 5 ! < 1 \$ % G C 9 H 6 G 7 C D D 9 F 5 H K M : P 8 K : P 4 6 7 P 4 7 H P 7 P 7 F 9 5 A H 7 0 1 6 8 F K</p>	<p>89G7 F 4 H C B: 9H-9FB9HD5B9@<C A C I B H5G39A 6@M</p>
<p>8K: "BC" G7 F9! \$% 6M 7 < 58 : % & # % # & \$ \$ (G< 99H % C : %</p>		