

4

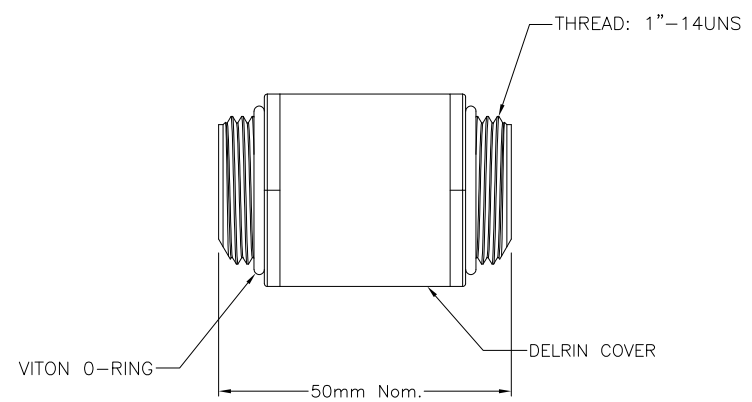
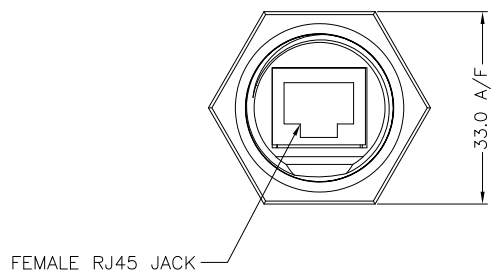
3


2

1

THIS DRAWING IS UNPUBLISHED. RELEASED FOR PUBLICATION
 © COPYRIGHT - By - ALL RIGHTS RESERVED.

LOC		DIST		REVISIONS			
P	LTR	DESCRIPTION		DATE	DWN	APVD	
FT	0	P		REVISED PER ECO-11-005027	11MAR11	RK	HMR



THIS DRAWING IS A CONTROLLED DOCUMENT.		DWN S SCHLEGEL 08APR2003	 TE Connectivity																		
DIMENSIONS: mm		CHK H WAKEEM 4/8/03																			
TOLERANCES UNLESS OTHERWISE SPECIFIED:		APVD H WAKEEM 4/8/03	NAME RJ-LNXX FEMALE TO FEMALE ADAPTOR																		
<table border="0"> <tr><td>0</td><td>PLC</td><td>± -</td></tr> <tr><td>1</td><td>PLC</td><td>± -</td></tr> <tr><td>2</td><td>PLC</td><td>± -</td></tr> <tr><td>3</td><td>PLC</td><td>± -</td></tr> <tr><td>4</td><td>PLC</td><td>± -</td></tr> <tr><td colspan="2">ANGLES</td><td>± -</td></tr> </table>		0	PLC	± -	1	PLC	± -	2	PLC	± -	3	PLC	± -	4	PLC	± -	ANGLES		± -	PRODUCT SPEC	
0	PLC	± -																			
1	PLC	± -																			
2	PLC	± -																			
3	PLC	± -																			
4	PLC	± -																			
ANGLES		± -																			
MATERIAL		APPLICATION SPEC	RESTRICTED TO																		
FINISH		WEIGHT	SIZE A3	CAGE CODE 00779																	
		DRAWING NO C=1546574																			
		CUSTOMER DRAWING		SCALE NTS																	
		SHEET 1 of 1		REV P																	