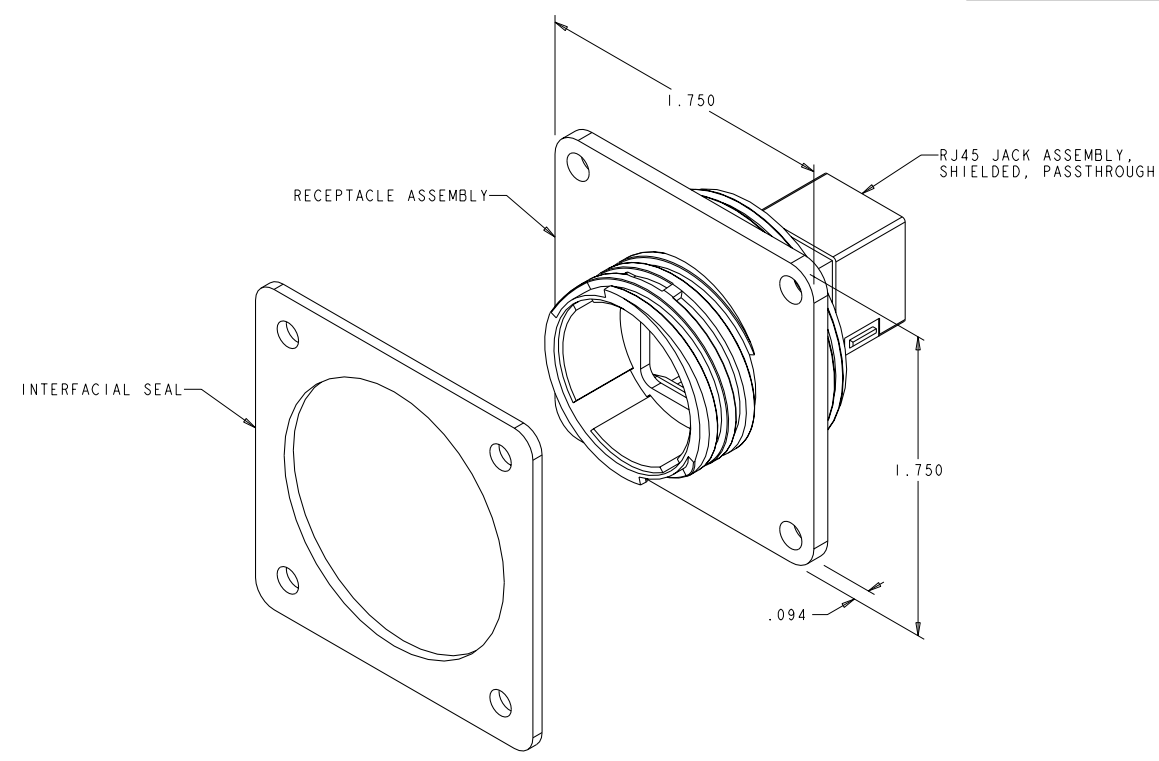


THIS DRAWING IS UNPUBLISHED. RELEASED FOR PUBLICATION BY TYCO ELECTRONICS CORPORATION. ALL RIGHTS RESERVED. COPYRIGHT 20

REVOLUTIONS		DATE	BY	APPROV
P	LYA			
A	RELEASED	29MAR2007	SW	MS
A1	REVISED ECO-07-022509	25SEP2007	SW	MS



1986172-1  
PART NUMBER

DIMENSIONS: INCHES		OPERATING SPECIFICS:		OWN S. WELDON 29MAR2007	29MAR2007	Tyco Electronics Harrisburg, PA 17105-3608	
0 PLC .001		1 PLC .001		APP M. STRECKEWARD 29MAR2007	29MAR2007	RECEPTACLE KIT, SHIELDED, PASSTHROUGH, CPC INDUSTRIAL ETHERNET	
1 PLC .001		2 PLC .001		APPLICATION SPEC		SIZE	RESTRICTED TO
2 PLC .001		3 PLC .001		WEIGHT		A2	
3 PLC .001		4 PLC .001		MATERIAL		00779	
4 PLC .001		5 PLC .001		FINISH		1986172	
5 PLC .001		6 PLC .001		CUSTOMER DRAWING		SCALE	3:1
6 PLC .001		7 PLC .001		SHEET		1	OF 1
7 PLC .001		8 PLC .001		REV		A1	