

4

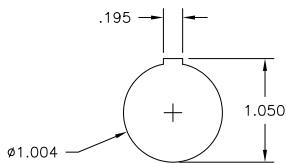
3

2

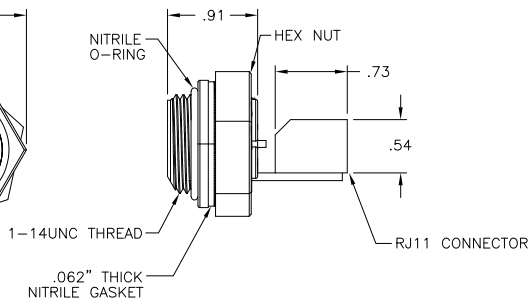
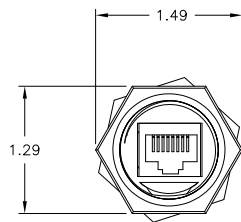
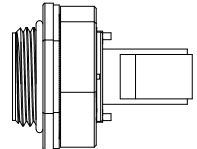
1

THIS DRAWING IS UNPUBLISHED. RELEASED FOR PUBLICATION
 © COPYRIGHT - By - ALL RIGHTS RESERVED.

LOC		DIST		REVISIONS			
P	LTR	DESCRIPTION	DATE	DWN	APVD		
	C1	REVISED PER ECO-11-004820	11MAR11	RK	HMR		



BACKEND DIMS.
OF RECEPTACLE



	1-1546415-1
SUPERSEDED	1546415-1
	PART NO.

THIS DRAWING IS A CONTROLLED DOCUMENT.		DWN S SCHLEGEL	09OCT2002	STE TE Connectivity	
DIMENSIONS: INCHES		CHK H WAKEEM	10/9/02		
TOLERANCES UNLESS OTHERWISE SPECIFIED:		APVD H WAKEEM	10/9/02	NAME RJ-11 BULKHEAD PASS THROUGH WITH BACKSIDE JACK	
0 PLC ± -		PRODUCT SPEC		SIZE A3	
1 PLC ± -		APPLICATION SPEC		CAGE CODE 00779	DRAWING NO 1546415
2 PLC ± .02		WEIGHT		RESTRICTED TO	
3 PLC ± .005		CUSTOMER DRAWING		SCALE NTS	SHEET 1 OF 1
4 PLC ± -		MATERIAL		REV C1	
ANGLES ± 2°		FINISH			