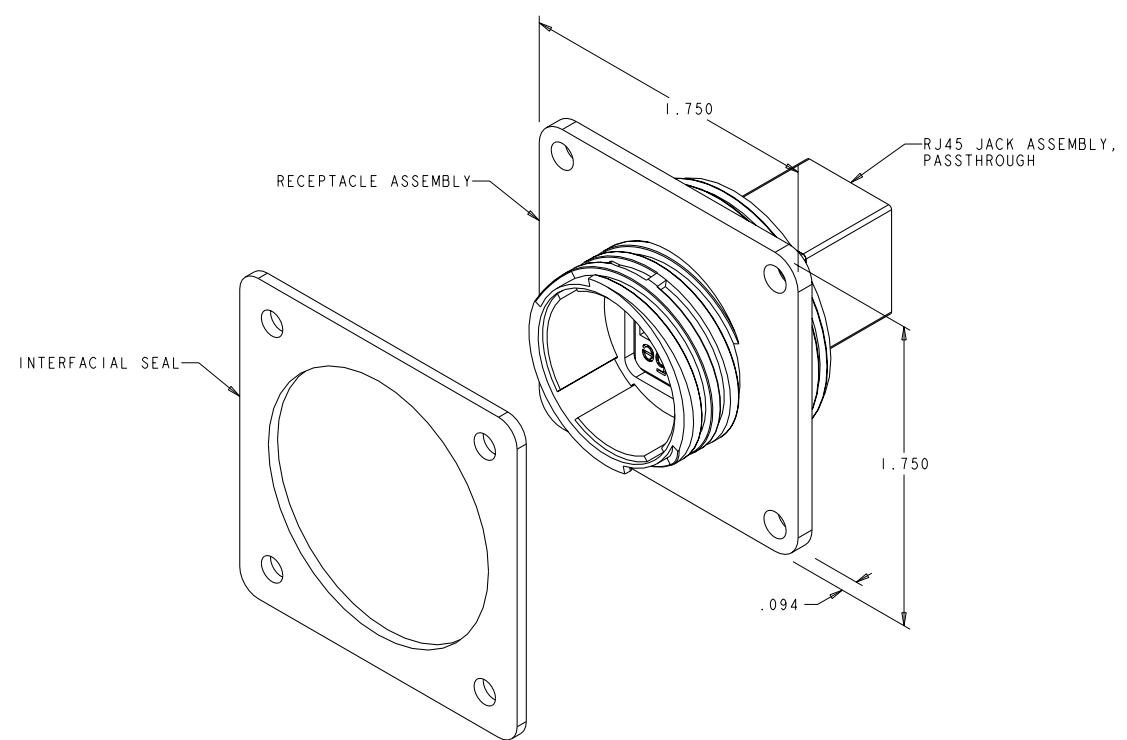


REV	DATE	BY	CHKD	APPROV
O	30 JUL 2004	SW	HW	
A	08 SEP 2004	SW	HW	
B	28 MAR 2007	SW	MS	
B1	23 SEP 2007	SW	MS	



1776186-1
PART NUMBER

DIMENSIONS: INCHES		OPERATING SPECIFICATIONS: 0 PLC .01 1 PLC .001 2 PLC .003 3 PLC .005 4 PLC .0005 ANGLES .8		AUTH: S. WELDON DATE: 30 JUL 2004 APPR: H. WAKEEM DATE: 30 JUL 2004	NAME: H. WAKEEM DATE: 30 JUL 2004	TITLE: CUSTOMER DRAWING CASE CODE: A2 DRAWING NO: 00779 PART NO: 1776186	RESTRICTED TO:
-----------------------	--	--	--	--	--------------------------------------	---	----------------