

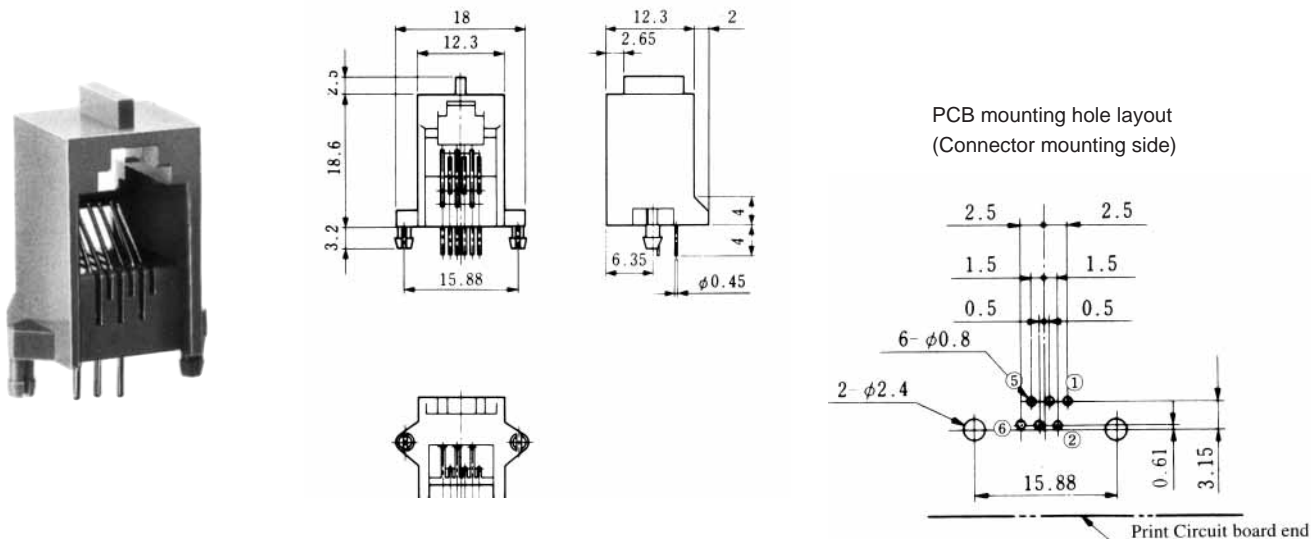
MODULAR CONNECTORS

CL 222 TM

Right Angle Dip Type

TM5RC-*(50)

| CL No. | Part No. | RoHS |
|---------------|--------------|------|
| 222-0270-9-50 | TM5RC-44(50) | YES |
| 222-0338-0-50 | TM5RC-64(50) | |
| 222-0337-8-50 | TM5RC-66(50) | |

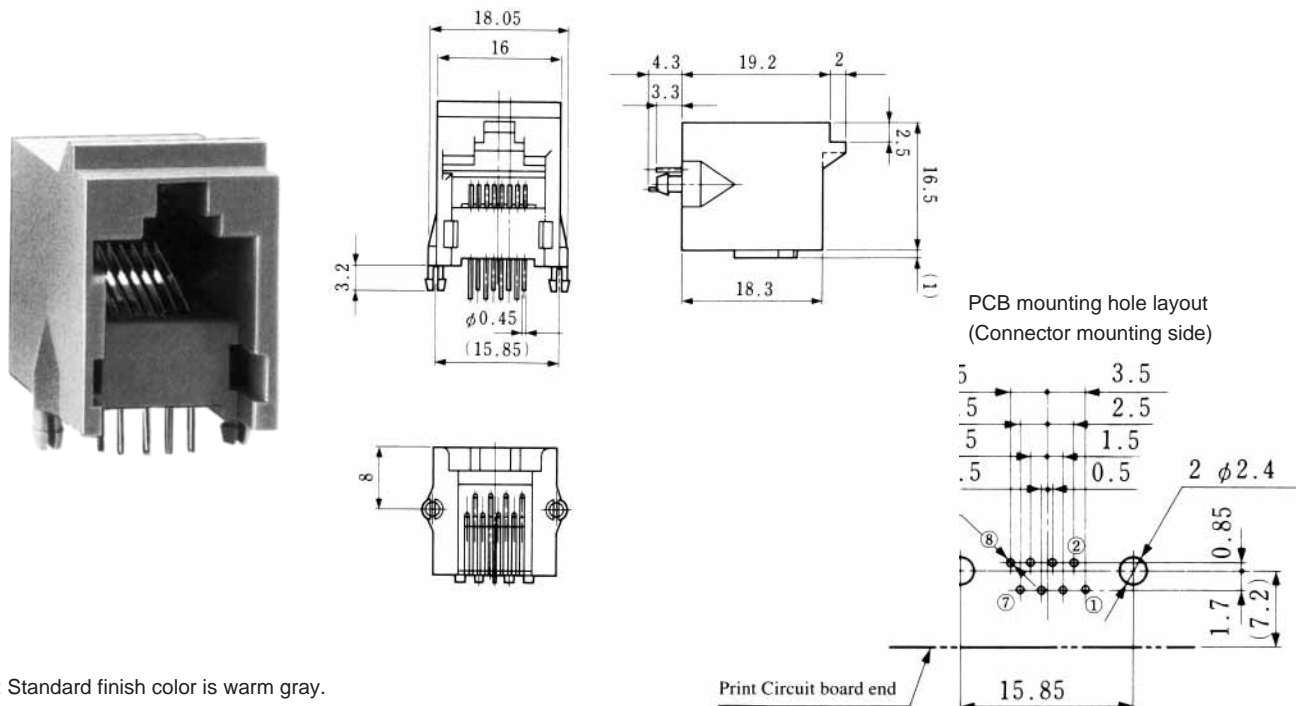


Note 1: Standard finish color is gray.

Note 2: The drawing is shown sample of TM5RC-66(50).

TM5RC-88(50)

| CL No. | Part No. | RoHS |
|---------------|--------------|------|
| 222-0339-3-50 | TM5RC-88(50) | YES |



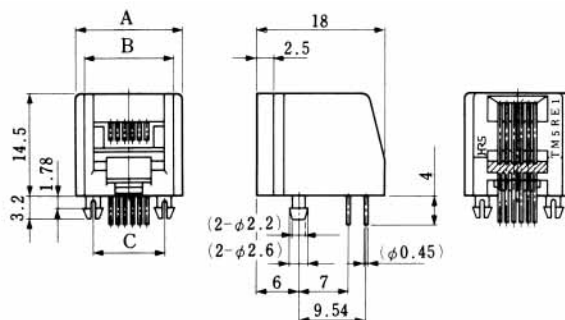
Note : Standard finish color is warm gray.

MODULAR CONNECTORS

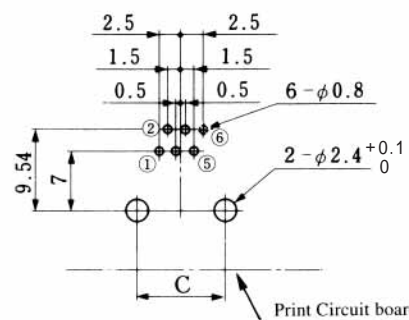
CL 222 TM

TM5RE1- ** (20)

| CL No. | Part No. | A | B | C | RoHS |
|---------------|---------------|----|------|----|------|
| 222-0538-0-20 | TM5RE1-44(20) | 13 | 10.4 | 8 | YES |
| 222-0539-2-20 | TM5RE1-62(20) | 15 | 12.4 | 10 | |
| 222-0540-1-20 | TM5RE1-64(20) | 15 | 12.4 | 10 | |
| 222-0541-4-20 | TM5RE1-66(20) | 15 | 12.4 | 10 | |



PCB mounting hole layout
(Connector mounting side)

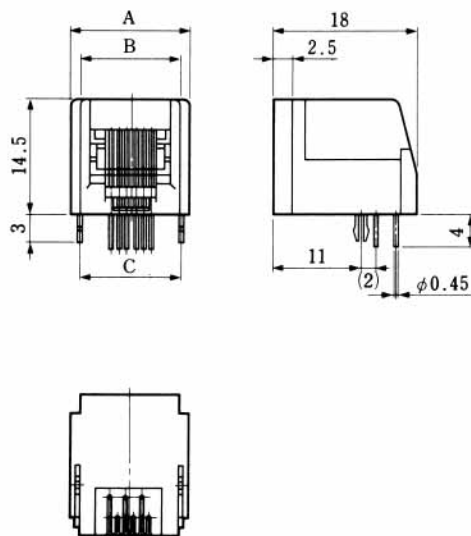
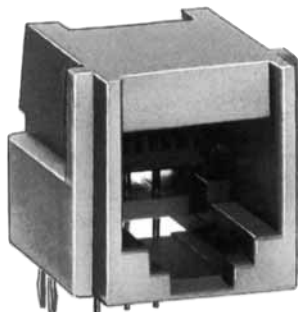


Note 1: Standard finish color is dark gray.

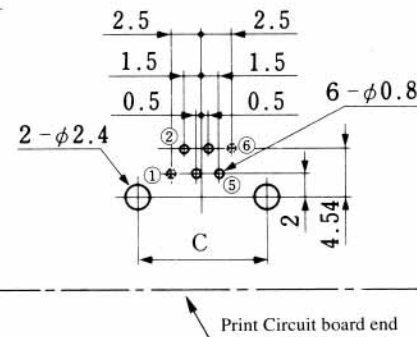
Note 2: The drawing is shown sample of TM5RE1-66(20).

TM5RE2- ** (20)

| CL No. | Part No. | A | B | C | RoHS |
|---------------|---------------|----|------|------|------|
| 222-1222-1-20 | TM5RE2-44(20) | 13 | 10.4 | 10.8 | YES |
| 222-1224-7-20 | TM5RE2-62(20) | 15 | 12.4 | 12.8 | |
| 222-1223-4-20 | TM5RE2-64(20) | 15 | 12.4 | 12.8 | |
| 222-1225-0-20 | TM5RE2-66(20) | 15 | 12.4 | 12.8 | |



PCB mounting hole layout
(Connector mounting side)



Note 1: Standard finish color is dark gray.

Note 3: The drawing is shown sample of TM5RE2-66(20).

MODULAR CONNECTORS

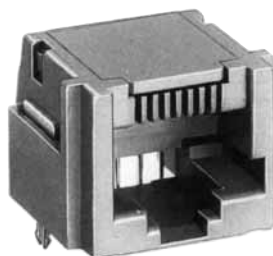
CL 222 TM

TM5RE3-*(20)

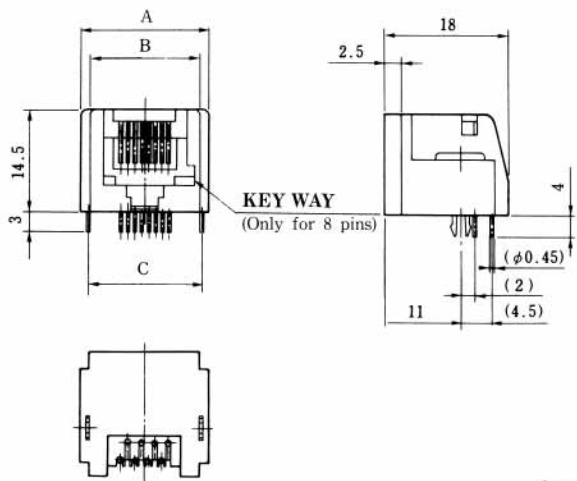
| CL No. | Part No. | A | B | C | RoHS |
|---------------|---------------|------|------|------|------|
| 222-1406-4-20 | TM5RE3-44(20) | 13 | 10.4 | 10.8 | YES |
| 222-1407-7-20 | TM5RE3-62(20) | 15 | 12.4 | 12.8 | |
| 222-1427-4-20 | TM5RE3-64(20) | 15 | 12.4 | 12.8 | |
| 222-1428-7-20 | TM5RE3-66(20) | 15 | 12.4 | 12.8 | |
| 222-1702-7-20 | TM5RE3-88(20) | 18.6 | 16 | 16.4 | |



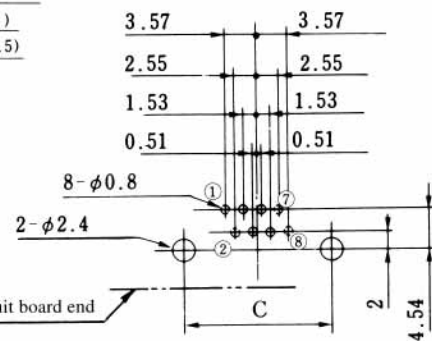
TM5RE3-66(20)



TM5RE3-88(20)



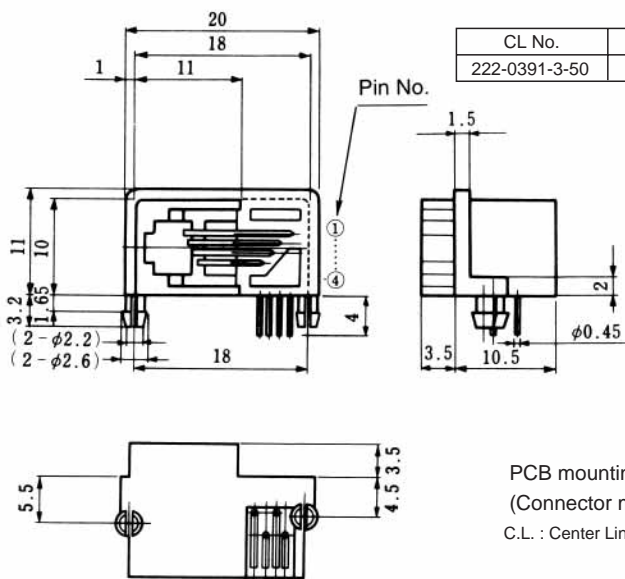
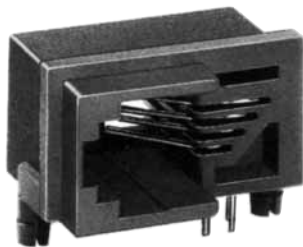
PCB mounting hole layout
(Connector mounting side)



Note 1: Standard finish color is dark gray.

Note 2: The drawing is shown sample of TM5RE3-88(20).

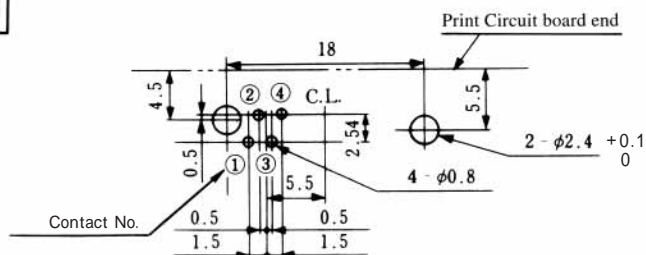
TM5RF-44(50)



| CL No. | Part No. | RoHS |
|---------------|--------------|------|
| 222-0391-3-50 | TM5RF-44(50) | YES |

PCB mounting hole layout
(Connector mounting side)

C.L. : Center Line



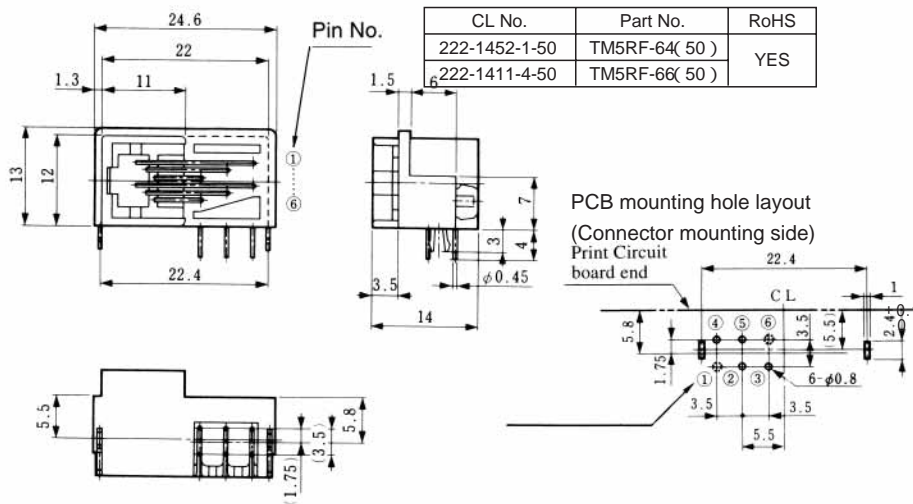
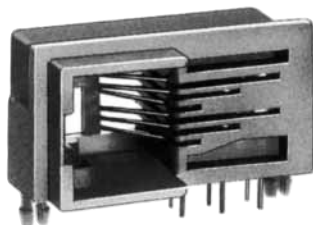
Note 1: Standard finish color is gray.

Note 2: Backboard size is shown the connector mounting side of PCB.

MODULAR CONNECTORS

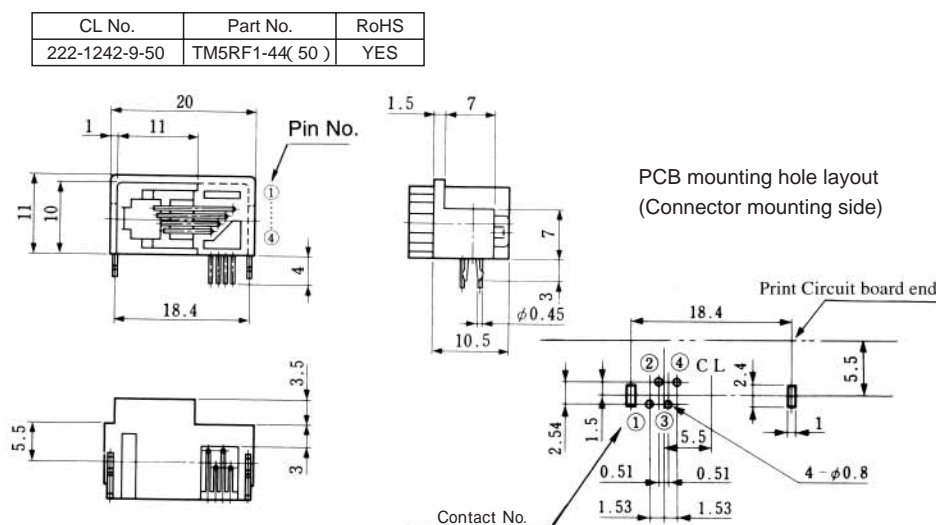
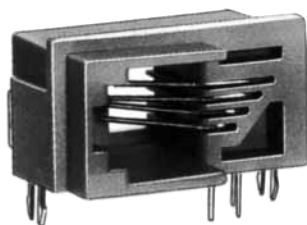
CL 222 TM

TM5RF-6 *(50)



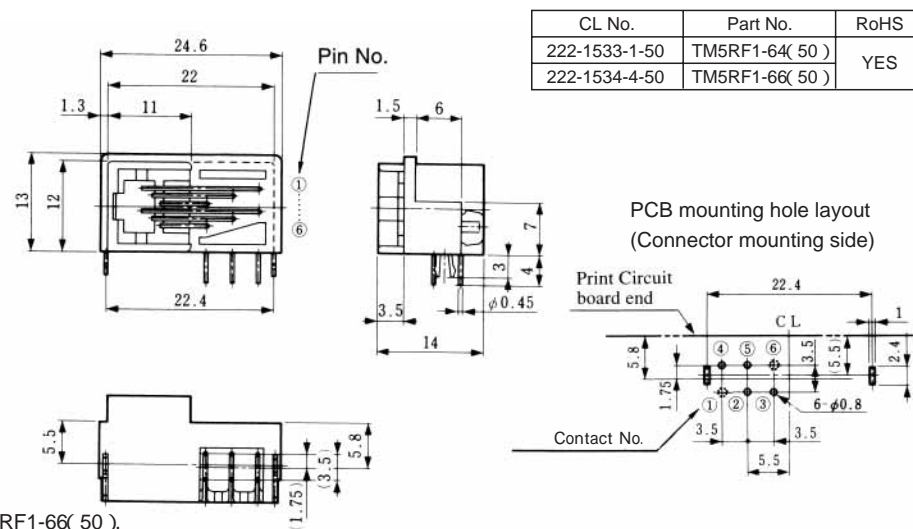
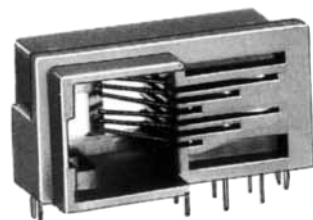
Note 1: Standard finish color is dark gray.
 Note 2: The drawing is shown sample of TM5RF-66(50).

TM5RF-1-44(50)



Note 1: Standard finish color is dark gray.

TM5RF-1-6 *(50)

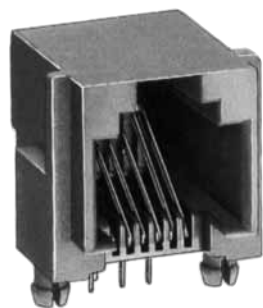


Note 1: Standard finish color is dark gray.
 Note 2: The drawing is shown sample of TM5RF1-66(50).

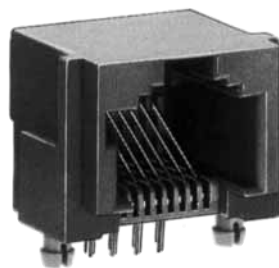
MODULAR CONNECTORS

CL 222 TM

TM5RJ2- ** (50)

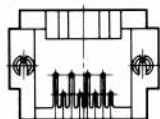
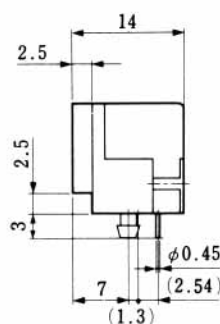
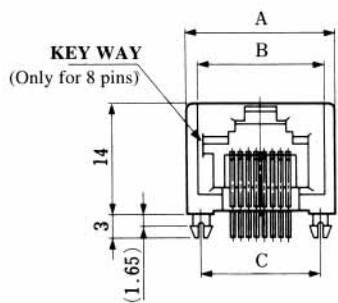


TM5RJ2-66(50)

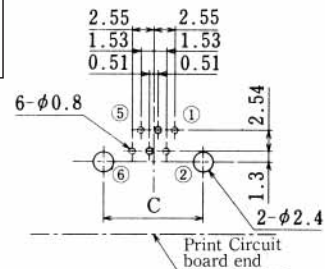


TM5RJ2-88(50)

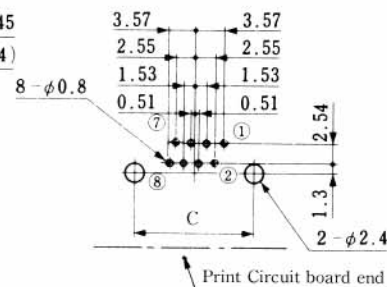
| CL No. | Part No. | A | B | C | RoHS |
|---------------|-----------------|------|------|----|------|
| 222-1459-0-50 | TM5RJ2-44(50) | 12.8 | 10.2 | 10 | YES |
| 222-1486-3-50 | TM5RJ2-62(50) | 14.8 | 12.2 | 12 | |
| 222-1460-0-50 | TM5RJ2-64(50) | 14.8 | 12.2 | 12 | |
| 222-1461-2-50 | TM5RJ2-66(50) | 14.8 | 12.2 | 12 | |
| 222-1462-5-50 | TM5RJ2-88(50) | 18.6 | 16 | 15 | |



PCB mounting hole layout
(Connector mounting side)



TM5RJ2-44,6 *

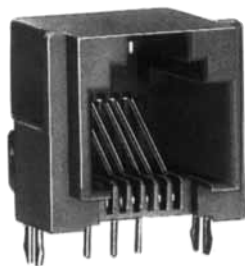


TM5RJ2-88(50)

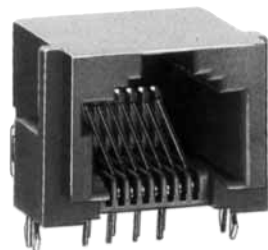
Note 1: Standard finish color is gray.

Note 2: The drawing is shown sample of TM5RJ2-88(50).

TM5RJ3- ** (50)

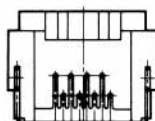
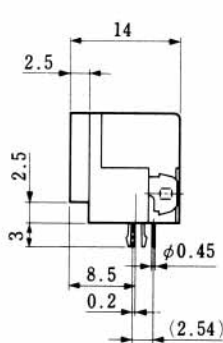
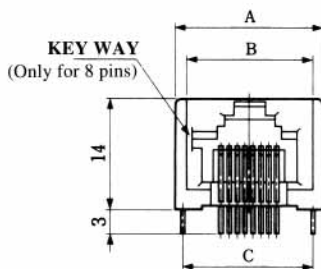


TM5RJ3-66(50)

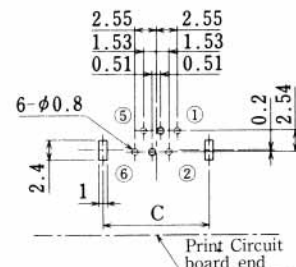


TM5RJ3-88(50)

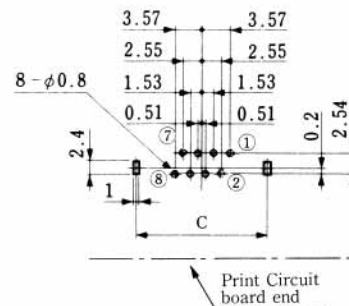
| CL No. | Part No. | A | B | C | RoHS |
|---------------|-----------------|------|------|-------|------|
| 222-1363-3-50 | TM5RJ3-44(50) | 12.8 | 10.2 | 10.76 | YES |
| 222-1487-6-50 | TM5RJ3-62(50) | 14.8 | 12.2 | 12.8 | |
| 222-1463-8-50 | TM5RJ3-64(50) | 14.8 | 12.2 | 12.8 | |
| 222-1464-0-50 | TM5RJ3-66(50) | 14.8 | 12.2 | 12.8 | |
| 222-1465-3-50 | TM5RJ3-88(50) | 18.6 | 16 | 16.6 | |



PCB mounting hole layout
(Connector mounting side)



TM5RJ3-44, 6 *



TM5RJ3-88(50)

Note 1: Standard finish color is gray.

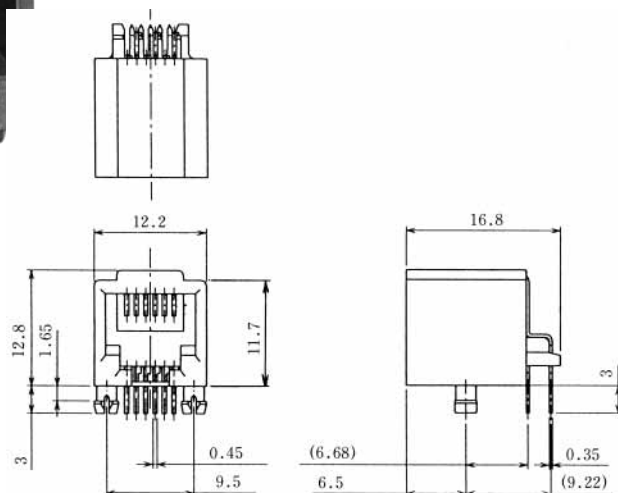
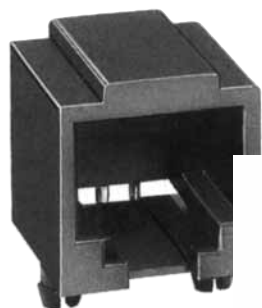
Note 2: The drawing is shown sample of TM5RJ3-88(50).

MODULAR CONNECTORS

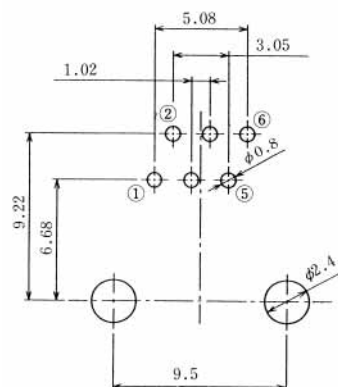
CL 222 TM

TM5RU-6 *(50)

| CL No. | Part No. | RoHS |
|---------------|----------------|------|
| 222-2639-8-50 | TM5RU-62(50) | YES |
| 222-2638-5-50 | TM5RU-64(50) | |
| 222-2630-3-50 | TM5RU-66(50) | |



PCB mounting hole layout
(Connector mounting side)



Note 1: Standard finish color is black.

Note 2: The drawing is shown sample of TM5RU-66(50).

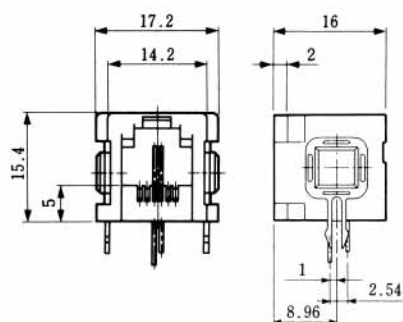
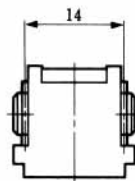
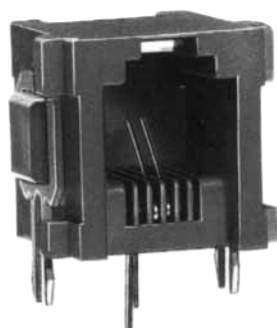
MODULAR CONNECTORS

CL 222 TM

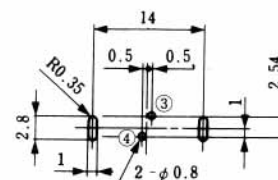
Gang-Jacks Right Angle Dip Type

TM2REA-06 * *(50)

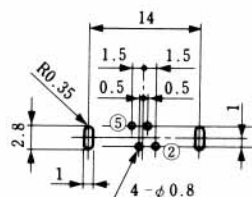
| CL No. | Part No. | RoHS |
|---------------|-------------------|------|
| 222-1277-3-50 | TM2REA-0602(50) | YES |
| 222-1466-6-50 | TM2REA-0604(50) | |
| 222-1467-9-50 | TM2REA-0606(50) | |



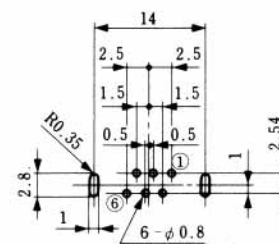
PCB mounting hole layout
(Connector mounting side)



TM2REA-0602(50)



TM2REA-0604(50)



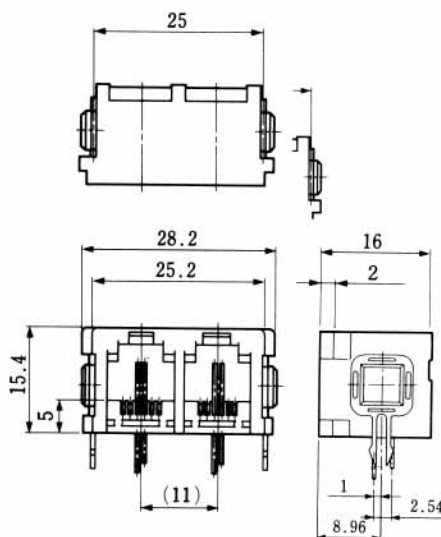
TM2REA-0606(50)

Note 1: Standard finish color is gray.

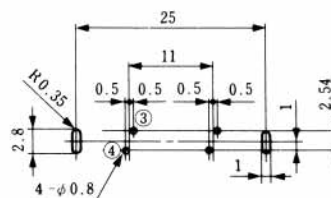
Note 2: The drawing is shown sample of TM2REA-0602(50).

TM2REA-12 * *(50)

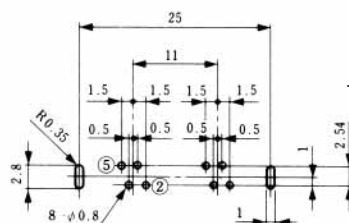
| CL No. | Part No. | RoHS |
|---------------|-------------------|------|
| 222-0802-6-50 | TM2REA-1204(50) | YES |
| 222-0799-3-50 | TM2REA-1208(50) | |
| 222-0681-3-50 | TM2REA-1212(50) | |



PCB mounting hole layout
(Connector mounting side)

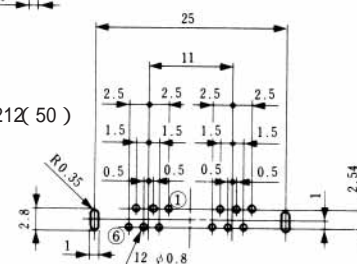


TM2REA-1204(50)



TM2REA-1208(50)

TM2REA-1212(50)



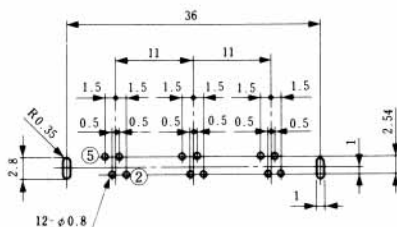
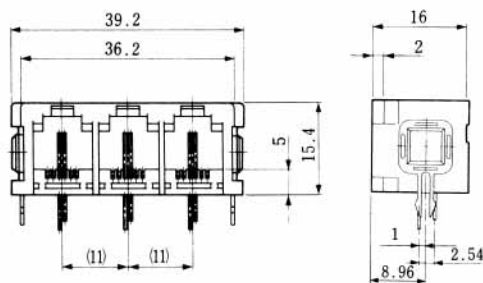
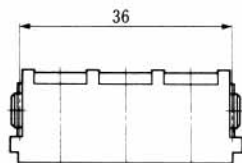
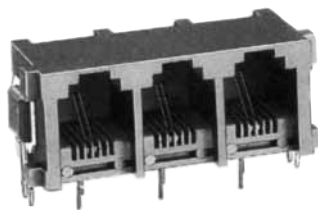
Note 1: Standard finish color is gray.

Note 2: The drawing is shown sample of TM2REA-1204(50).

MODULAR CONNECTORS

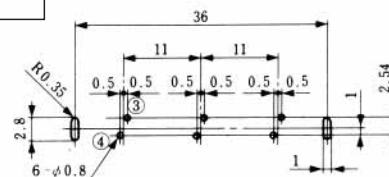
CL 222 TM

TM2REA-18 ** (50)

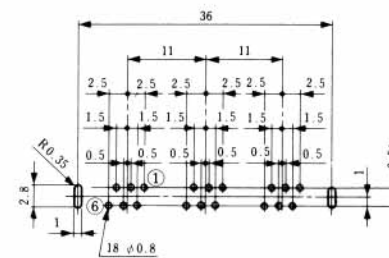


TM2REA-1812(50)

PCB mounting hole layout
(Connector mounting side)



TM2REA-1806(50)

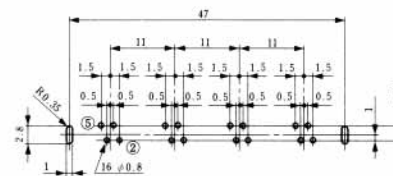
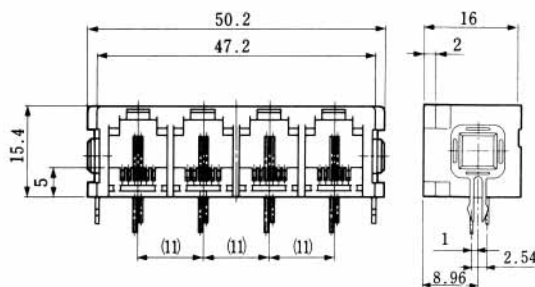
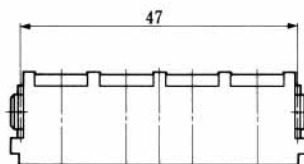
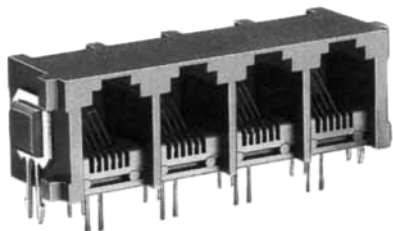


TM2REA-1818(50)

Note 1: Standard finish color is gray.

Note 2: The drawing is shown sample of TM2REA-1806(50).

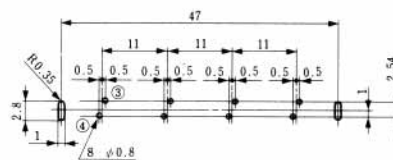
TM2REA-24 ** (50)



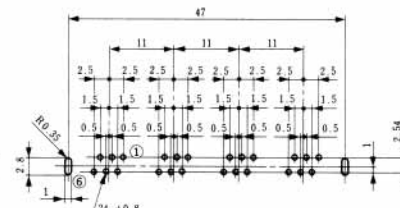
TM2REA-2416(50)

| CL No. | Part No. | RoHS |
|---------------|-----------------|------|
| 222-0800-0-50 | TM2REA-2408(50) | |
| 222-0749-5-50 | TM2REA-2416(50) | YES |
| 222-0750-4-50 | TM2REA-2424(50) | |

PCB mounting hole layout
(Connector mounting side)



TM2REA-2408(50)



TM2REA-2424(50)

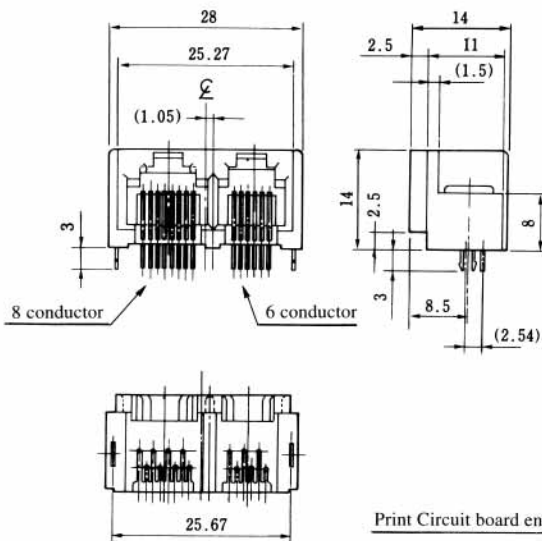
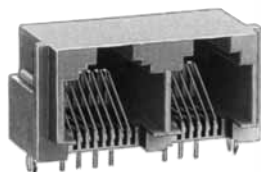
Note 1: Standard finish color is gray.

Note 2: The drawing is shown sample of TM2REA-2416(50).

MODULAR CONNECTORS

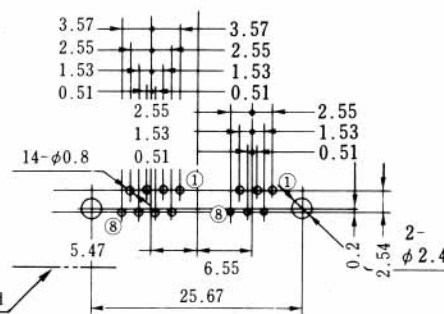
CL 222 TM

TM5RQ-1414(50)



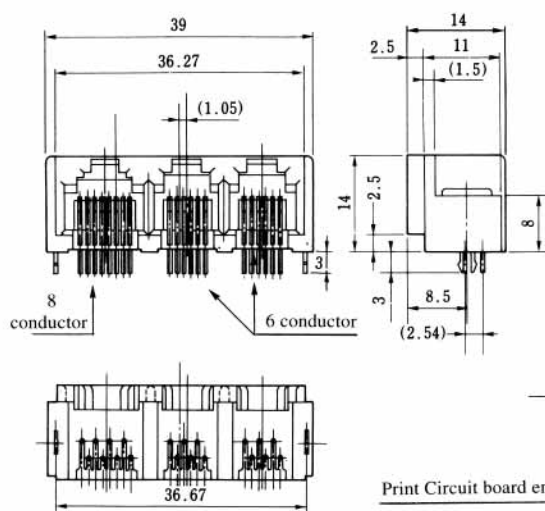
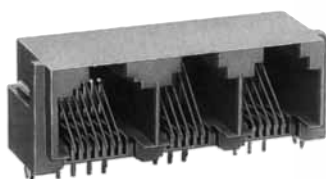
| CL No. | Part No. | RoHS |
|---------------|------------------|------|
| 222-1504-3-50 | TM5RQ-1414(50) | YES |

PCB mounting hole layout
(Connector mounting side)



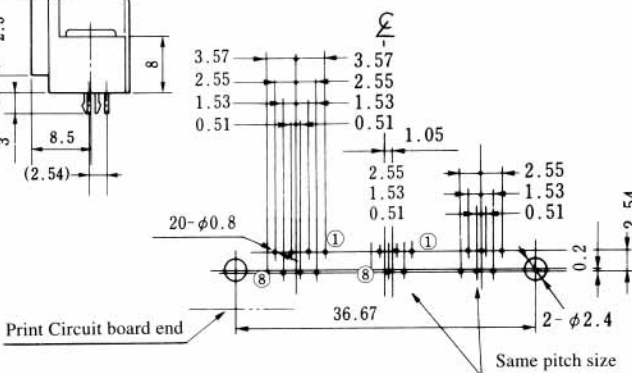
Note : Standard finish color is gray.

TM5RQ-2020(50)



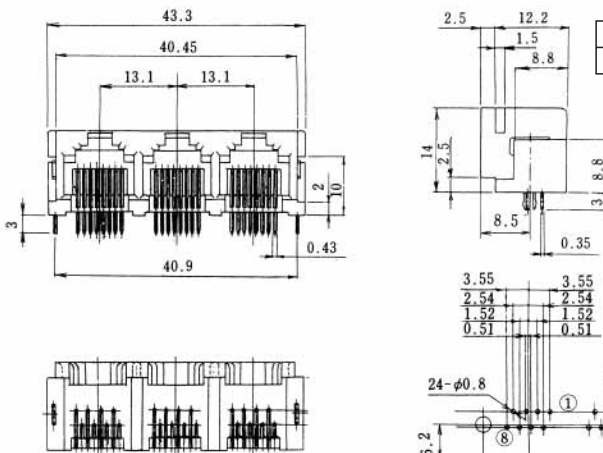
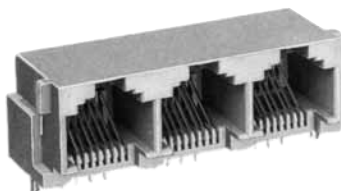
| CL No. | Part No. | RoHS |
|---------------|------------------|------|
| 222-1645-5-50 | TM5RQ-2020(50) | YES |

PCB mounting hole layout
(Connector mounting side)

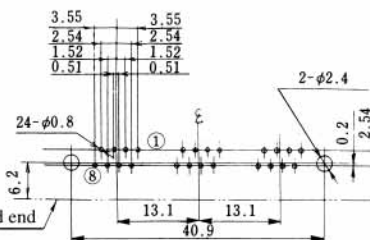


Note : Standard finish color is gray.

TM5RSA-2424(50)



| CL No. | Part No. | RoHS |
|---------------|-------------------|------|
| 222-3264-2-50 | TM5RSA-2424(50) | YES |



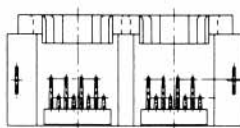
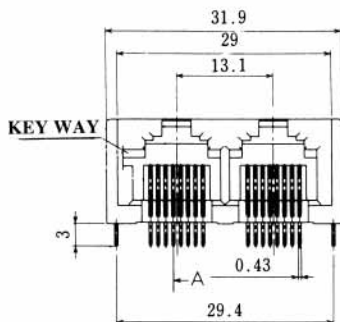
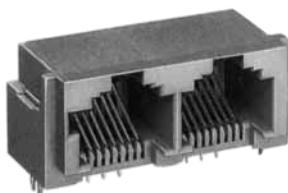
Note : Standard finish color is gray.

PCB mounting hole layout (Connector mounting side)

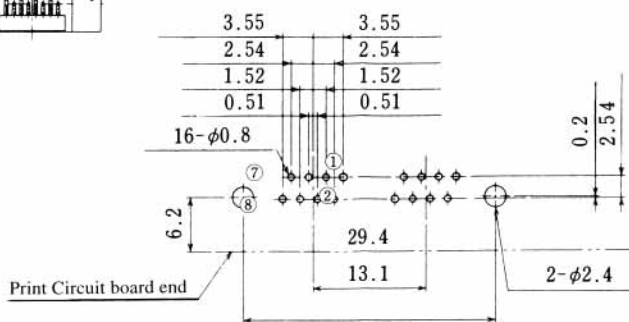
MODULAR CONNECTORS

CL 222 TM

TM5RSB-1616(50)



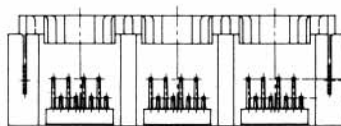
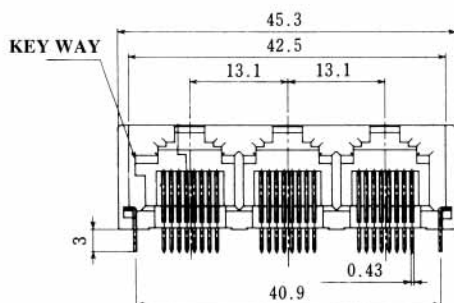
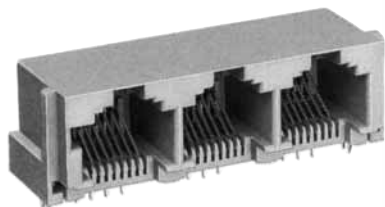
PCB mounting hole layout
(Connector mounting side)



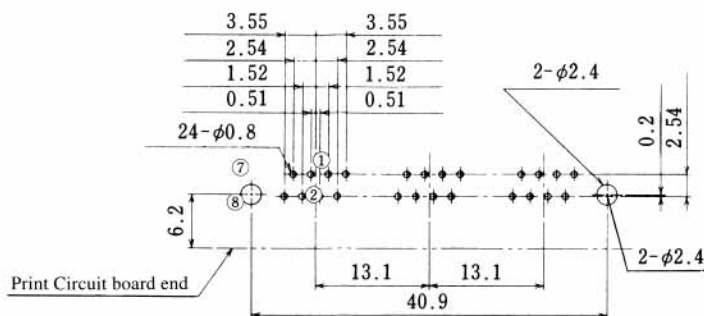
| CL No. | Part No. | RoHS |
|---------------|-------------------|------|
| 222-3712-1-50 | TM5RSB-1616(50) | YES |

Note : Standard finish color is gray.

TM5RSB-2424(50)



PCB mounting hole layout
(Connector mounting side)



| CL No. | Part No. | RoHS |
|---------------|-------------------|------|
| 222-3423-4-50 | TM5RSB-2424(50) | YES |

Note : Standard finish color is gray.

MODULAR CONNECTORS

CL 222 TM

EIGHT-CONDUCTOR LOW PROFILE JACKS

GENERAL

The TM5RL Series are small 8-contact modular connectors designed to be 11.7 mm in height and 23% smaller in volume than our former models to meet the demand for smaller and thinner electronic equipment.

FEATURES

- (1) 11.7 mm in height above PCB surface (shielded jacks: 11.9 mm)
- (2) 23% smaller in volume than our former models
- (3) Space-saving: 14 mm (14.6 mm) in width and 17 mm (7.6 mm) in depth. (): shielded jacks
- (4) EMI-protected ferrite and shielded jacks available.
- (5) Ferrite and shielded jacks use the same connector body as standard jacks, requiring no change in the PCB for redesigning. (When you plan to redesign a standard PCB to a shielded PCB, select the shielding pattern in advance).
- (6) A quadruple jack is equal to or smaller in size than four TM5RL-88 jacks combined.
- (7) Plugs and jack connectors comply with the ISO 8877 Standard (ISDN interface connector).

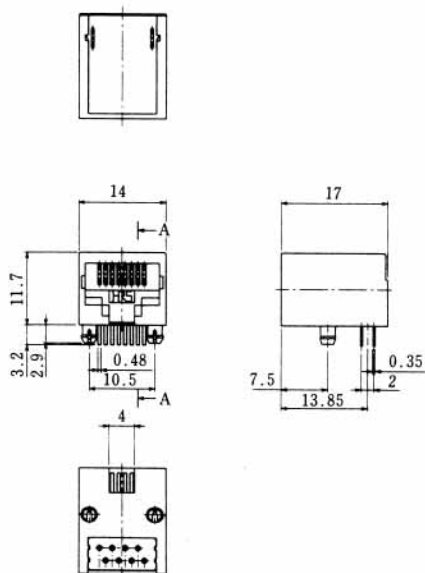
APPLICATIONS

LAN boards, HUB, ISDN terminals, and personal computers.

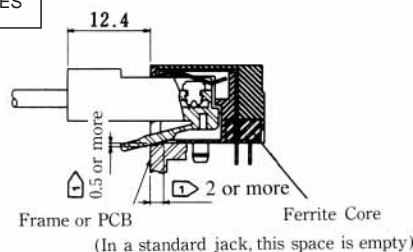
RIGHT-ANGLE DIP TYPE

TM5RL *-88(50)

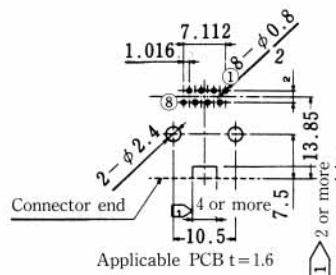
| CL No. | Part No. | Type | RoHS |
|---------------|-----------------|-------------------|------|
| 222-2665-8-50 | TM5RL-88(50) | Standard | YES |
| 222-2666-0-50 | TM5RLF-88(50) | With ferrite core | |



View of mating plug
A-A



Reference mounting dimensions
(PCB component side)



Note : When preparing frames or PCBs, follow the above \square dimensions.

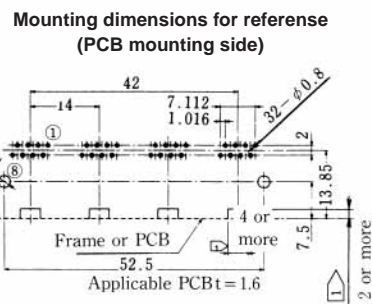
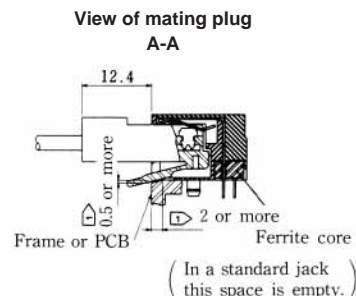
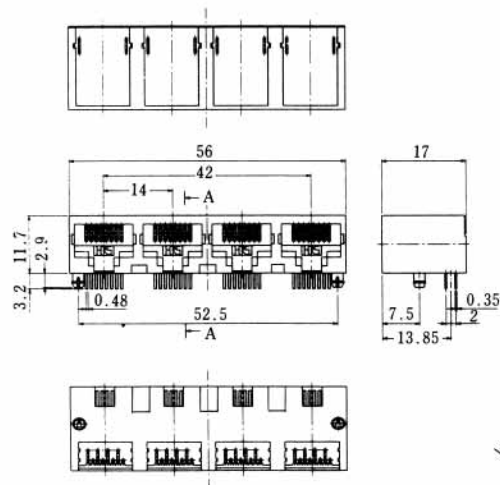
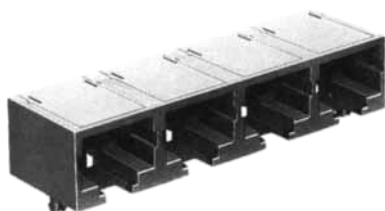
MODULAR CONNECTORS

CL 222 TM

Quadruplet right-angle dip

TM5RL *-3232(50)

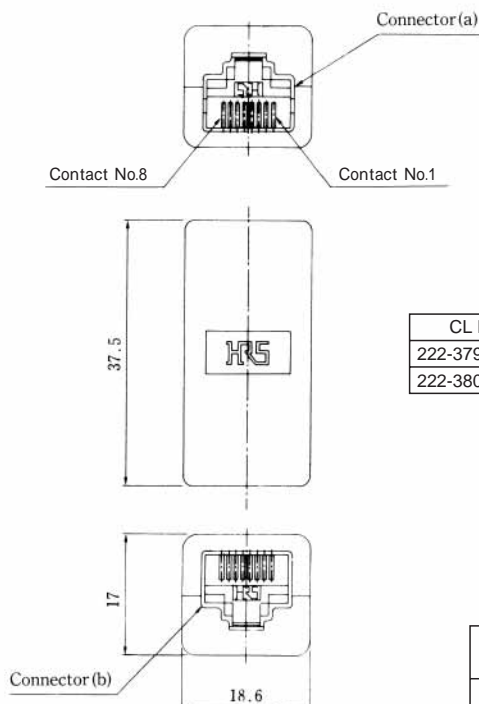
| CL No. | Part No. | Type | RoHS |
|---------------|-------------------|-------------------|------|
| 222-2671-0-50 | TM5RL-3232(50) | Standard | YES |
| 222-2711-3-50 | TM5RLF-3232(50) | With ferrite core | |



Note : When preparing frames or PCBs, provide the above for the connector.

Eight-conductor extension adapter

TM5RL *-88-JJ(50)



| CL No. | Part No. | Type | RoHS |
|---------------|--------------------|-------------------|------|
| 222-3798-7-50 | TM5RL-88-JJ(50) | Standard | YES |
| 222-3805-0-50 | TM5RLF-88-JJ(50) | With ferrite core | |

Terminal numbers

| Connector(a) terminal No. | 1 | 2 | 3 | 4 | 5 | 6 | 7 | 8 |
|---------------------------|---|---|---|---|---|---|---|---|
| TM5RL-88 | | | | | | | | |
| Connector(b) terminal No. | 1 | 2 | 3 | 4 | 5 | 6 | 7 | 8 |
| TM5RL-88 | | | | | | | | |