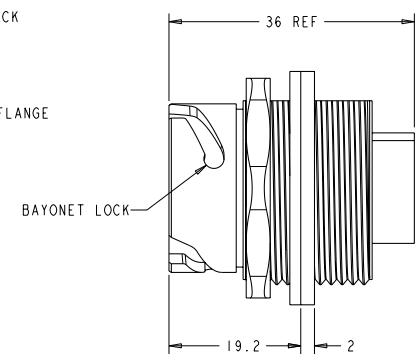
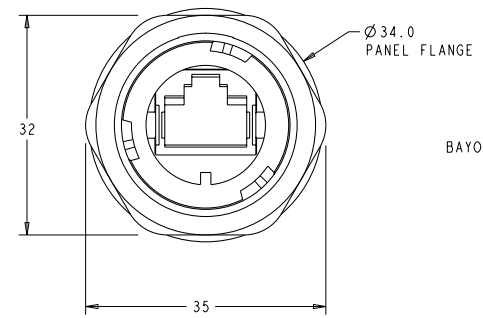
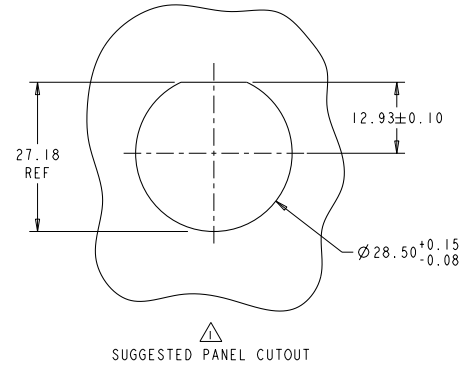
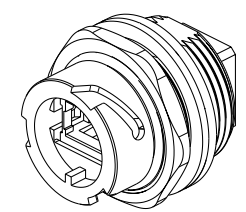
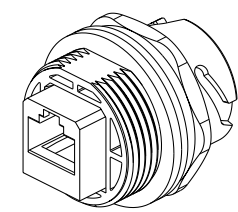
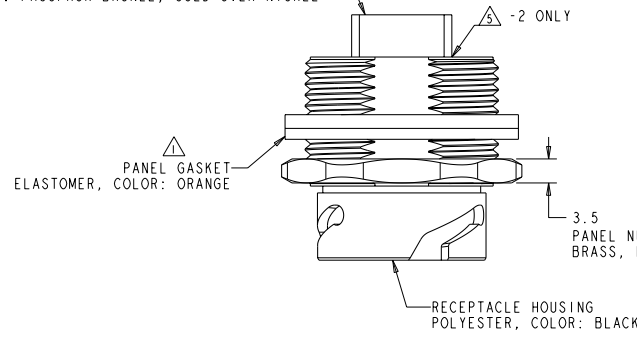
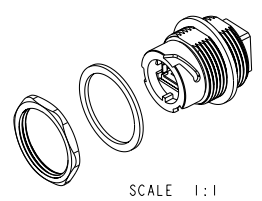


LOC	DISP	REVISIONS		
FT	0	REV	DATE	BY
		CI	REVISED PER ECO-11-004820	11MAR2011 BK HMR

COUPLER, RJ-45
 CATEGORY: SEE TABLE, 8 POSITION
 HOUSING: THERMOPLASTIC
 CONTACTS: PHOSPHOR BRONZE, GOLD OVER NICKEL



- △ CONNECTOR MAY BE FRONT OR REAR MOUNTED TO A MAXIMUM PANEL THICKNESS OF 3.2 mm.
- 2. COUPLER LINES CROSSOVER BETWEEN PORTS.
- 3. THIS PRODUCT HAS NOT COMPLETED VALIDATION TESTING.
- 4. PANEL NUT AND PANEL GASKET ARE PACKAGED UNASSEMBLED IN POLYBAG.
- △ COUPLER BONDED TO HOUSING BY ADHESIVE ALONG EDGE WHERE COUPLER MEETS HOUSING, SEE TABLE.

CAT 6e	NO	1738601-3
CAT 5e	△S	1738601-2
CAT 5e	NO	1738601-1
CATEGORY	COUPLER BONDED	PART NUMBER

THIS DRAWING IS A CONTROLLED DOCUMENT. DWG: R.L. KOLLER 25MAR04
 CHK: J. LANDIS 26MAR04
 APP: S. HEADER 17JUN

TE Connectivity

RECEPTACLE KIT, INDUSTRIAL CIRCULAR ETHERNET CONNECTOR

DIMENSIONS: mm	0 PLC ±0.3	1 PLC ±0.2	2 PLC ±0.10	3 PLC ±0.1	4 PLC ±0.1	ANGLES ±1°	FINISH	WEIGHT	SHEET CASE CODE DRAWING NO	RESTRICTED TO
									A200779	1738601

CUSTOMER DRAWING SCALE 5:2 SHEET 1 OF 1 REV C.1