

4

3

2

1

THIS DRAWING IS UNPUBLISHED. RELEASED FOR PUBLICATION. ALL RIGHTS RESERVED.

LOC	DIST	REVISIONS		
P	LR	DESCRIPTION	DATE	BY
HM	00			
G1		REVISED PER ECO-11-005033	21MAR11	RK HMR

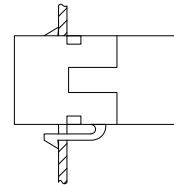
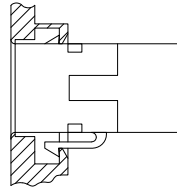
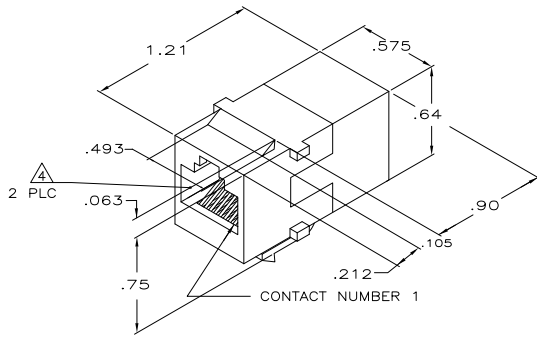
1. ALL DIMENSIONS SHOWN ARE MAXIMUM UNLESS OTHERWISE SPECIFIED.

2. MATERIAL:
 HOUSING - POLYPHENYLENE OXIDE, BLACK.
 TERMINAL - .018 DIA PHOSPHOR BRONZE PLATED WITH .000050 MINIMUM THICK GOLD OVER .000050 MINIMUM THICK NICKEL.

3. MOUNTING PANEL THICKNESS .062 NOMINAL.

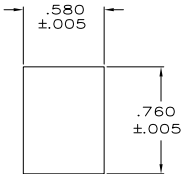
4. CAVITIES SHALL CONFORM TO FCC RULES AND REGULATIONS, PART 68, SUBPART F.

5. BULK P/N = 2-555052-1. BULK PACK IN QUANTITIES OF 100 PCS.

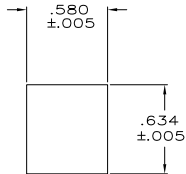


DOUBLE WALL PLATE
NOT TO SCALE

SINGLE WALL PLATE



RECOMMENDED PANEL CUTOUT FOR SINGLE WALL PLATE AND BACK PANEL FOR DOUBLE WALL PLATE



RECOMMENDED FRONT PANEL CUTOUT FOR DOUBLE WALL PLATE

2-555052-1
555052-1
PART NO

THIS DRAWING IS A CONTROLLED DOCUMENT.		DR: S. WATMAN 22JUN05	TE Connectivity																		
		CHK: L. DALL 22JUN05																			
DIMENSIONS: INCHES		APP: S. HERNON 22JUN05	COUPLER ASSEMBLY, 8 POSITION, IN-LINE																		
OTHER DIMENSIONS: MILLIMETERS		NAME: S. HERNON																			
<table border="0"> <tr><td>0 PLC</td><td>±</td><td>-</td></tr> <tr><td>1 PLC</td><td>±</td><td>-</td></tr> <tr><td>2 PLC</td><td>±</td><td>-</td></tr> <tr><td>3 PLC</td><td>±</td><td>-</td></tr> <tr><td>4 PLC</td><td>±</td><td>-</td></tr> <tr><td>ANGLES</td><td>±</td><td>-</td></tr> </table>		0 PLC	±	-	1 PLC	±	-	2 PLC	±	-	3 PLC	±	-	4 PLC	±	-	ANGLES	±	-	APPLICATION SPEC: -	SIZE: A2
0 PLC	±	-																			
1 PLC	±	-																			
2 PLC	±	-																			
3 PLC	±	-																			
4 PLC	±	-																			
ANGLES	±	-																			
MATERIAL: -		WEIGHT: -	CAGE CODE: 00779																		
FINISH: -		DRAWING NO: C-555052																			
		CUSTOMER DRAWING																			
		SCALE: 2:1	SHEET: 1 of 1																		
		REV: G1																			