

4

3

2

1

THIS DRAWING IS UNPUBLISHED. RELEASED FOR PUBLICATION  
 © COPYRIGHT - By - ALL RIGHTS RESERVED.

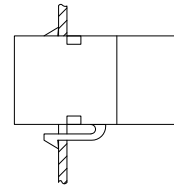
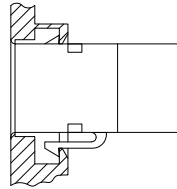
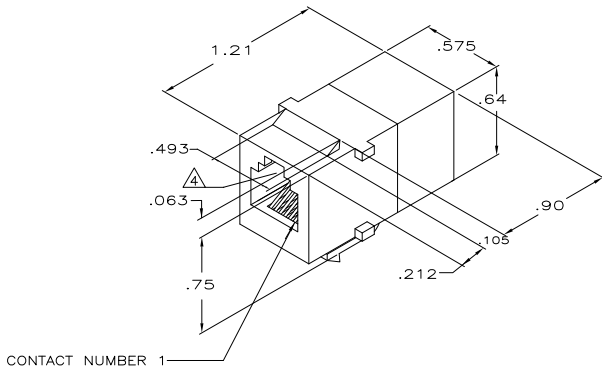
LOC	DIST	REVISIONS		
P	LTR	DESCRIPTION	DATE	BY
HM	00			
	E1	REVISED PER ECO-11-005033	21MAR11	RK HMR

1. ALL DIMENSIONS SHOWN ARE MAXIMUM UNLESS OTHERWISE SPECIFIED.

**MATERIAL:**  
 HOUSING - POLYPHENYLENE OXIDE, BLACK.  
 TERMINAL - .018 DIA PHOSPHOR BRONZE PLATED WITH .000050 MINIMUM THICK GOLD OVER .000050 MINIMUM THICK NICKEL.

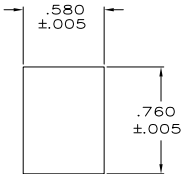
3. MOUNTING PANEL THICKNESS .062 NOMINAL.

**CAVITIES SHALL CONFORM TO FCC RULES AND REGULATIONS, PART 68, SUBPART F.**

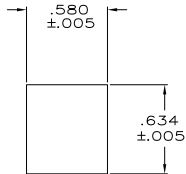


DOUBLE WALL PLATE  
NOT TO SCALE

SINGLE WALL PLATE



RECOMMENDED PANEL CUTOUT FOR SINGLE WALL PLATE AND BACK PANEL FOR DOUBLE WALL PLATE



RECOMMENDED FRONT PANEL CUTOUT FOR DOUBLE WALL PLATE

555050-1  
PART NUMBER

THIS DRAWING IS A CONTROLLED DOCUMENT.		DR. C. YATES 3-17-87	TE Connectivity
		OK. S. FOX 3-27-87	
DIMENSIONS: INCHES		APPROVED: G. FOSTER 4-1-87	COUPLER ASSEMBLY, 6 POSITION, IN-LINE
OTHER DIMENSIONS: MILLIMETERS		PRODUCT SPEC: -	
MATERIAL: -		APPLICATION SPEC: -	RESTRICTED TO: -
FINISH: -		WEIGHT: -	SIZE: A2
		CAGE CODE: -	DRAWING NO: C-555050
		CUSTOMER DRAWING	SCALE: 2:1 SHEET: 1 of 1 REV: E1